

TC42

INTERNATIONAL STANDARD 6040

INTERNATIONAL ORGANIZATION FOR STANDARDIZATION • МЕЖДУНАРОДНАЯ ОРГАНИЗАЦИЯ ПО СТАНДАРТИЗАЦИИ • ORGANISATION INTERNATIONALE DE NORMALISATION

Photography – Optical filters (mounted and unmounted) for photographic equipment – Dimensions and designations

Photographie – Filtres optiques (montés et non montés) pour usages photographiques – Dimensions et désignation

First edition – 1978-12-01

iTeh STANDARD PREVIEW
(standards.iteh.ai)

ISO 6040:1978

<https://standards.iteh.ai/catalog/standards/sist/941f1840-6b53-42c9-8071-8753eb47647/iso-6040-1978>

To be withdrawn

UDC 771.449.6/.8

Ref. No. ISO 6040-1978 (E)

Descriptors : photography, photographic equipment, optical filters, dimensions, designations.

Price based on 1 page

FOREWORD

ISO (the International Organization for Standardization) is a worldwide federation of national standards institutes (ISO member bodies). The work of developing International Standards is carried out through ISO technical committees. Every member body interested in a subject for which a technical committee has been set up has the right to be represented on that committee. International organizations, governmental and non-governmental, in liaison with ISO, also take part in the work.

Draft International Standards adopted by the technical committees are circulated to the member bodies for approval before their acceptance as International Standards by the ISO Council.

International Standard ISO 6040 was developed by Technical Committee ISO/TC 42, *Photography*, and was circulated to the member bodies in August 1977.

It has been approved by the member bodies of the following countries:

Australia	France	<u>ISO</u> Switzerland
Austria	Germany, F. R.	Turkey
Belgium	Italy	United Kingdom
Canada	Japan	U.S.A.
Czechoslovakia	South Africa, Rep. of	U.S.S.R.
Egypt, Arab Rep. of	Spain	Yugoslavia

No member body expressed disapproval of the document.

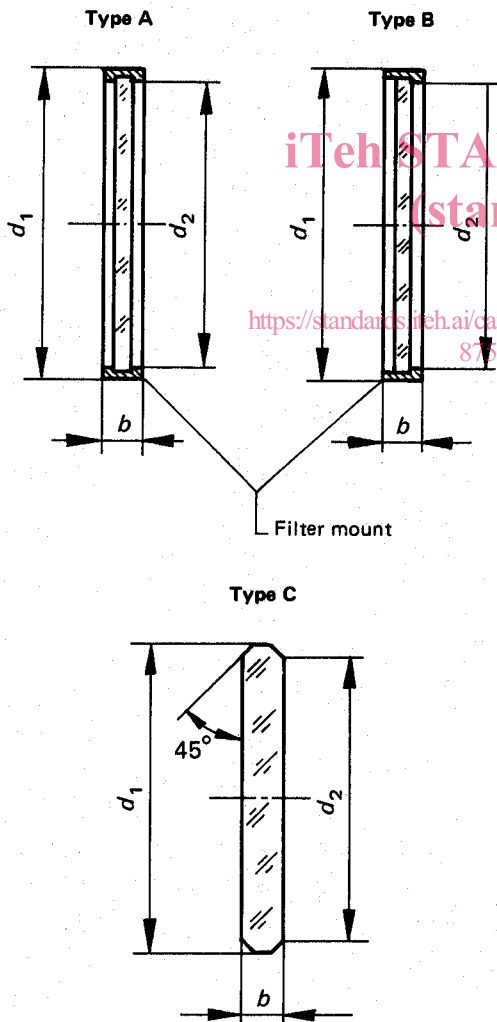
Photography – Optical filters (mounted and unmounted) for photographic equipment – Dimensions and designations

1 SCOPE AND FIELD OF APPLICATION

This International Standard specifies the dimensions of photographic series filters, either mounted or unmounted. It is applicable to all types of filters, including glass (solid or laminated), plastic between glass, and gelatine wafer filters.

2 FILTER DIMENSIONS

The dimensions shall be as shown in the figure and table.



STANDARD PREVIEW
standards.iteh.ai

TABLE – Important dimensions

Values in millimetres

Filter size designation	Diameter d_1		Full aperture d_2 min.		Thickness $b \pm 0,2$
	Nominal size	Tolerance	Types A and B	Type C	
Series 4	20,6	0 -0,2	17,5	19,6	4,0
Series 4,5	25,4		22,2	24,4	4,3
Series 5	30,2		27,0	29,2	4,3
Series 5,5	36,0		32,8	35,0	4,8
Series 6	41,3		38,1	40,3	4,8
Series 6,5	46,0		42,8	45,0	5,3
Series 7	50,8	0 -0,3	47,6	49,8	5,3
Series 7,5	57,0		53,8	56,0	5,6
Series 8	63,5		60,3	62,5	5,6
Series 8,5	73,0		69,8	72,0	5,6
Series 9	82,6		79,4	81,6	5,6
Series 9,5	94,8		90,8	93,8	6,0
Series 10	107,0	103,0	106,0	6,0	

3 DESIGNATION

Example for the designation of a series filter, type A, filter size Series 6,5 :

Series filter A 6,5

iTeh STANDARD PREVIEW
(standards.iteh.ai)

ISO 6040:1978

<https://standards.iteh.ai/catalog/standards/sist/941f1840-6b53-42c9-80ad-8753eb47647/iso-6040-1978>