

INTERNATIONAL STANDARD

ISO
6050

First edition
1987-09-15



INTERNATIONAL ORGANIZATION FOR STANDARDIZATION
ORGANISATION INTERNATIONALE DE NORMALISATION
МЕЖДУНАРОДНАЯ ОРГАНИЗАЦИЯ ПО СТАНДАРТИЗАЦИИ

Shipbuilding — Bulbous bow and side thruster symbols

Construction navale — Symboles pour étrave en bulbe et propulseurs latéraux

ITIH STANDARD PREVIEW

(standards.iteh.ai)

ISO 6050:1987

<https://standards.iteh.ai/catalog/standards/sist/34fd00d6-7f0e-43c7-9e34-2423dc65f340/iso-6050-1987>

Reference number
ISO 6050:1987 (E)

Foreword

ISO (the International Organization for Standardization) is a worldwide federation of national standards bodies (ISO member bodies). The work of preparing International Standards is normally carried out through ISO technical committees. Each member body interested in a subject for which a technical committee has been established has the right to be represented on that committee. International organizations, governmental and non-governmental, in liaison with ISO, also take part in the work.

Draft International Standards adopted by the technical committees are circulated to the member bodies for approval before their acceptance as International Standards by the ISO Council. They are approved in accordance with ISO procedures requiring at least 75 % approval by the member bodies voting.

International Standard ISO 6050 was prepared by Technical Committee ISO/TC 8, *Shipbuilding and marine structures*.

Users should note that all International Standards undergo revision from time to time and that any reference made herein to any other International Standard implies its latest edition, unless otherwise stated.

Shipbuilding — Bulbous bow and side thruster symbols

iTeh STANDARD PREVIEW (standards.iteh.ai)

1 Scope and field of application

This International Standard specifies the symbols for bulbous bow and side thruster to be used on ships' hulls to indicate their presence.

2 General

2.1 Symbols and dimensions

2.1.1 The symbols and their minimum dimensions shall be as given in figures 1 and 2.

2.1.2 Where larger symbols are used, the dimensional proportions as indicated in figures 1 and 2 shall be retained.

2.2 Location

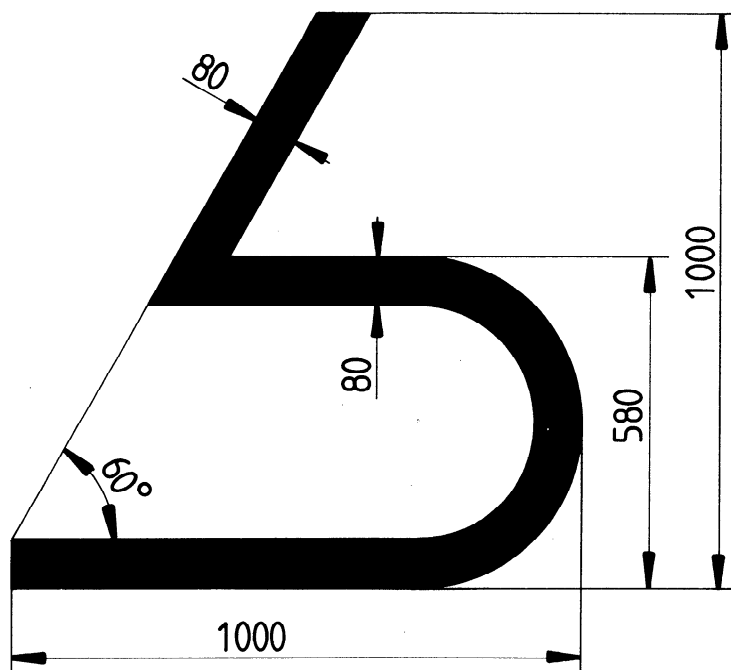
2.2.1 The symbol for the bulbous bow shall be located at the forward end of the ship on both port and starboard side in a clearly visible place above the maximum draught level and pointing in the direction of the bow.

2.2.2 The symbol for the side thruster shall be located on both port and starboard side above the maximum draught level and as far as possible on the vertical line passing through the position of the side thruster.

2.3 Paint colour

The outline of the symbols shall be of weld beads and painted in a colour contrasting with the background shell painting of the ship.

Dimensions in millimetres



iTeh STANDARD PREVIEW

Figure 1 — Symbol for bulbous bow
(standards.iteh.ai)

ISO 6050:1987 Dimensions in millimetres

<https://standards.iteh.ai/catalog/standards/sist/34fd00d6-7f0e-43c7-9e34-2423dc65f340/iso-6050-1987>

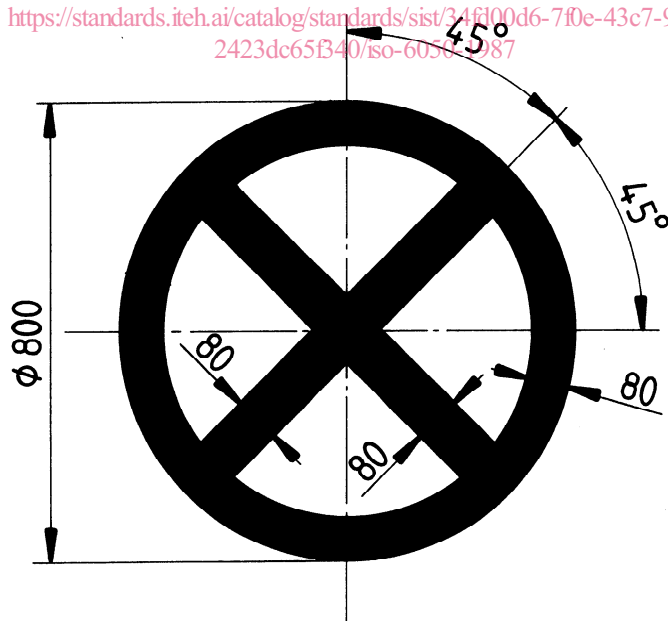


Figure 2 — Symbol for side thruster

UDC 629.12.011.1 + 629.12.037.22 : 003.62

Descriptors : shipbuilding, ships, ship hulls, marine propellers, symbols, graphic symbols.

Price based on 2 pages