

INTERNATIONAL STANDARD

ISO 6054-2

Second edition
1990-12-15

Motorcycle tyres and rims (Code-designated series) — Diameter codes 4 to 12 —

Part 2:

Rims

iTeh STANDARD PREVIEW

(standards.iteh.ai)

Pneumatiques et jantes pour motocycles (Série dont les dimensions sont désignées par des codes) — Codes de diamètre 4 à 12 —

ISO 6054-2:1990

Partie 2: Jantes

<https://standards.iteh.ai/catalog/standards/sist/122eb418-eca2-4515-a3f1-9026e475df73/iso-6054-2-1990>



Reference number
ISO 6054-2 : 1990 (E)

Foreword

ISO (the International Organization for Standardization) is a worldwide federation of national standards bodies (ISO member bodies). The work of preparing International Standards is normally carried out through ISO technical committees. Each member body interested in a subject for which a technical committee has been established has the right to be represented on that committee. International organizations, governmental and non-governmental, in liaison with ISO, also take part in the work. ISO collaborates closely with the International Electrotechnical Commission (IEC) on all matters of electrotechnical standardization.

Draft International Standards adopted by the technical committees are circulated to the member bodies for voting. Publication as an International Standard requires approval by at least 75 % of the member bodies casting a vote.

International Standard ISO 6054-2 was prepared by Technical Committee ISO/TC 31, *Tyres, rims and valves*, Sub-Committee SC 10, *Cycle, moped, motorcycle tyres and rims*.

ISO 6054-2:1990

This second edition cancels and replaces the first edition (ISO 6054-2 : 1986) : clause 7, figures 3 and 4, and tables 5 and 6 are new, while clause 8, and tables 3 and 7 are modified. The word "scooter" is no longer used.

ISO 6054 consists of the following parts, under the general title *Motorcycle tyres and rims (Code-designated series) — Diameter codes 4 to 12*:

- Part 1: *Tyres*
- Part 2: *Rims*

NOTE — ISO 4249-3, *Motorcycle tyres and rims (Code designated series) — Part 3: Rims complement ISO 6054-2 for larger tyre sizes.*

ISO 5751-3 : 1988, *Motorcycle tyres and rims (metric series) — Part 3: Rims for tyres of series 100, 90, 80, 70 and 60* is a parallel document in the metric series.

Annex A forms an integral part of this part of ISO 6054.

© ISO 1990

All rights reserved. No part of this publication may be reproduced or utilized in any form or by any means, electronic or mechanical, including photocopying and microfilm, without permission in writing from the publisher.

International Organization for Standardization
Case postale 56 • CH-1211 Genève 20 • Switzerland

Printed in Switzerland

Motorcycle tyres and rims (Code-designated series) — Diameter codes 4 to 12 —

Part 2 : Rims

1 Scope

This part of ISO 6054 lays down rim dimensions for an inch-code-designated series of motorcycle tyres for diameter codes 4 to 12. It sets only those rim contour dimensions necessary for the mounting and fitment of the tyre to the rim.

Tyre designations, dimensions and load ratings are given in ISO 6054-1.

2 Normative reference

The following standard contains provisions which, through reference in this text, constitute provisions of this part of ISO 6054. At the time of publication, the edition indicated was valid. All standards are subject to revision, and parties to agreements based on this part of ISO 6054 are encouraged to investigate the possibility of applying the most recent edition of the standard indicated below. Members of IEC and ISO maintain registers of currently valid International Standards.

ISO 3911 : 1977, *Wheels/rims — Nomenclature, designation, marking and units of measurement.*

3 Finish

3.1 Rim contour

The rim on the side of the tyre shall have a smooth contour free of sharp edges.

3.2 Rim valve hole

Valve hole edges on the tyre side of rims shall be rounded or chamfered. On the hub side, the edges shall be free of burrs, which could damage the valve.

4 Designation

The rim shall be designated, in accordance with ISO 3911, by its nominal diameter code and nominal rim width code.

EXAMPLE

8 × 2.10

5 Divided rims¹⁾

5.1 Rim contours

Dimensions and tolerances for divided rims shall be as given in table 1 and figure 1.

5.2 Rim diameters

The rim diameter code and specified rim diameters shall be as given in table 2.

6 Drop-centre rims¹⁾

6.1 Rim contours

Dimensions and tolerances for drop-centre rims shall be as given in table 3 and figure 2.

6.2 Rim diameters

The rim diameter code and specified rim diameters shall be as given in table 4.

1) Further study is to cover harmonization of rim dimensions and tolerances for 2.50 C, 3.00 D and 4.00 E rims, in the future ISO 3739-1, *Industrial tyres and rims — Part 1: Pneumatic tyres (metric series) on 5° tapered or flat base rims — Designation, dimensions and marking*, ISO 4251-3 : 1985, *Tyres and rims (existing series) for agricultural tractors and machines — Part 3: Rims* and this part of ISO 6054.

7 Tapered bead seat rims (MT type)

7.1 Rim contours

Dimensions and tolerances for tapered bead seat rims shall be as given in table 5 and figure 3.

7.2 Bead seat contours

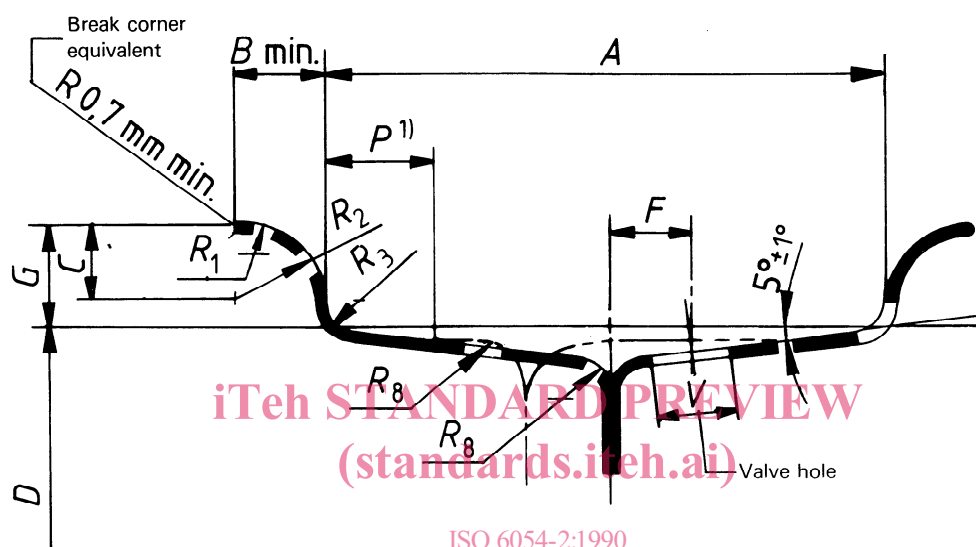
Bead seat contours for MT rims without hump shall be as given in table 6 and figure 4.

8 Recommended rim widths

The recommended rim widths are indicated in table 7.

9 Rim circumference measurement

Information on rim circumference measurement is given in annex A.



ISO 6054-2:1990
<https://standards.iteh.ai/catalog/standards/sist/122eb418-eca2-4515-a3f1-9026e475df73/iso-6054-2-1990>

1) See below table 1.

Figure 1 — Divided rim contour

Table 1 — Divided rims — Contour dimensions

Dimensions in millimetres

Nominal rim width code	A ± 1,5	B min.	G +1 -0,5	P ¹⁾ min.	C ref.	R ₂	R ₃ max.	R ₈ max.	R ₁	F				
										min.	max.			
1.50	38	7	10,5	12	7	7	2	5	—	8	8,5			
1.75	44,5		9,5				2,5							
2.10	53,5		12				3							
2.15 ²⁾	54,5	8,5	15	12,5	10	12,5	3,5	6,5	7,5	9	14			
2.50 C	63,5	10	16	11,5	12									
3.00 D	76	11,5	17,5	14	12,5	13						4,5	10,5	11
3.50 D	89		16	12,5	13									
4.00 E	101,5		20	18,5	13,5	14	6,5	10,5	12,5	16				
4.00 D			17,5	16	12,5	13								
5.00 D	127		17,5	16	12,5	13	6,5		11	16				

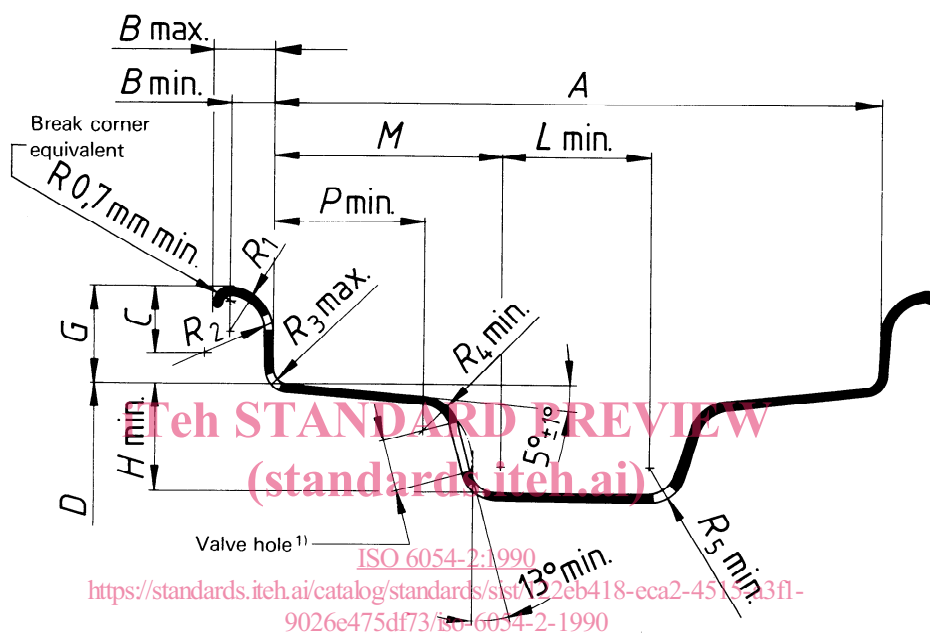
1) For off-centre naves (rims which are split off-centre) where the value is the minimum width for tapered bead seat.

2) For nominal rim diameter code 8 only.

Table 2 – Divided rims – Diameters

Dimensions in millimetres

Nominal rim diameter code	Specified rim diameter <i>D</i>
4	100,8
5	126,2
6	151,6
7	177
8	202,4
9	227,8
10	253,2



1) Valve hole to be located, for 1.50, 2.50 C, 3.00 D and 3.50 D in the centre of well bottom.

Figure 2 – Drop-centre rims – Contour dimensions

Table 3 – Drop-centre rims – Contour dimensions

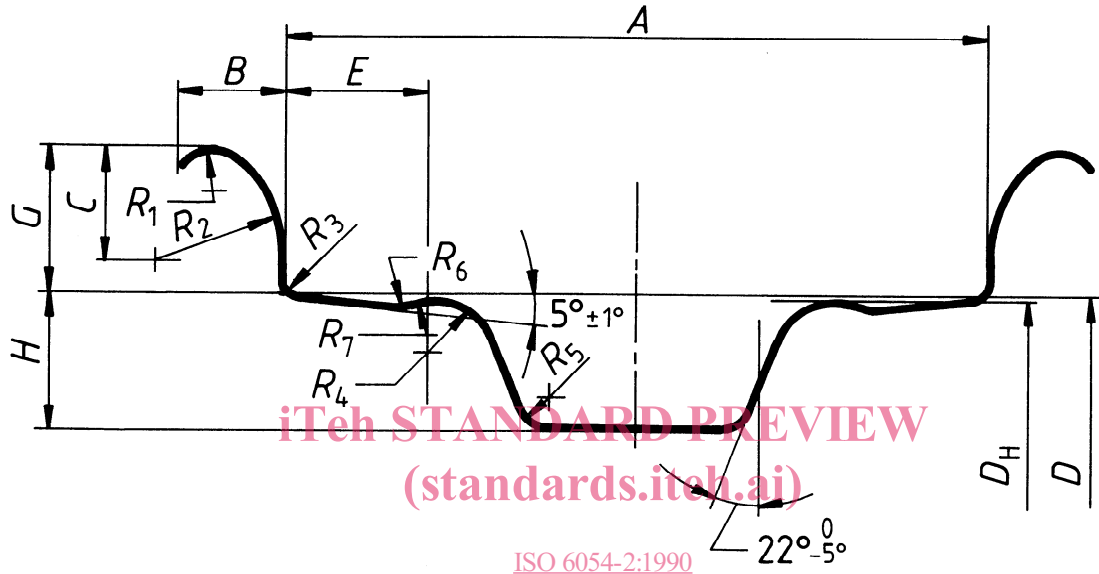
Dimensions in millimetres

Nominal rim width code	A	B		G	H	L	P	C	R ₂	R ₃	R ₄	R ₅	R ₁	
		tol.	min.											max.
1.50	38				8	10	4				5,5			
1.85 LF	47	+1 -0,5	7,5	11,5	10,5	±0,5	9	11	8	6,5	7	2	3	3
2.15 LF	55							13	11					
2.50 C	63,5	±1,5	10	13,5	16	+1 -0,5	13,5	12,5	12	11,5	12	3	6,5	7,5 max.
3.00 D	76	±1,5	11	15,5	17,5	+1 -0,5	18	17,5	14	12,5	13	4,5	6,5	8
3.50 D	89	±1,5	11,5	15,5	17,5	+1 -0,5	18	19	15	12,5	13	4,5		8

Table 4 – Drop-centre rims – Diameters

Dimensions in millimetres

Nominal rim diameter code	Specified rim diameter D
8	202,4
9	227,8
10	253,2
12	304



ISO 6054-2:1990
<https://standards.iteh.ai/catalog/standards/sist/122eb418-cca2-4515-a3f1-9026e475df73/iso-6054-2-1990>

Figure 3 – 5° tapered bead seat rim contours (MT type)

Table 5 – Dimensions of tapered bead seat rims

Dimensions in millimetres

Nominal rim width code	A		B min.	C	E ¹⁾ min.	G		H min.	R ₁ min.	R ₂	R ₃ max.	R ₄ ± 0,5	R ₅ min.	R ₆ ± 0,5	R ₇ ± 0,5
	tol.	tol.													
1.85 MT	47	+1	9	10,5	10,5	14	± 0,5	11,5	3	12,5	2,5	3	3	3	2,5
2.15 MT	55	-0,5			13										
2.50 MT	63,5	+1,5 -1			14										
2.75 MT	70				15										
3.00 MT	76				13										
3.50 MT	89														

1) E = Hump location.

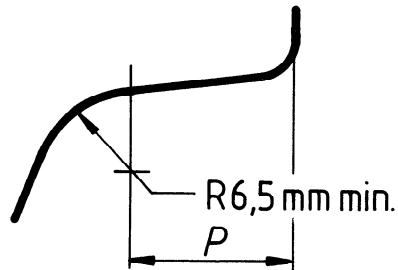


Figure 4 – Bead seat contours for MT rims without hump

Table 6 – Bead seat contours for MT rims without hump

Dimensions in millimetres

Nominal rim width code	<i>P</i>
	+2 0
1.85 MT	8
2.15 MT	11
2.50 MT	13
2.75 MT	
3.00 MT	
3.50 MT	

<https://standards.iteh.ai/catalog/standards/sist/122eb418-eca2-4515-a3f1-9026e475df73/iso-6054-2-1990>

Table 7 – Recommended rim widths

Nominal section width, <i>S_N</i> Code	Recommended rim widths
2.50	1.50 - 1.75 - 1.85
2.75	1.50 - 1.75 - 1.85 - 2.10 - 2.15
3.00	1.85 - 2.10 - 2.15 - 2.50
3.25	2.10 - 2.15 - 2.50
3.50	2.10 - 2.15 - 2.50
4.00	2.15 - 2.50 - 3.00
4.50	3.00
6.00	4.00

Annex A
(normative)

Rim circumference measurement

The bead seat rim circumference measurements shall be made using a tape gauge the length of which is related to a mandrel diameter which is derived from the specified rim diameter. Mandrel diameter and tape circumferences are presented in table A.1.

The tolerance on the mandrel diameter is $\begin{matrix} 0 \\ -0,05 \end{matrix}$ mm.

Table A.1 — Mandrel diameters and tape circumferences

Dimensions in millimetres

Nominal rim diameter code	Mandrel diameter ¹⁾ D_M	Tape circumference ²⁾	
		min. $\pi(D - 0,4)$	max. $\pi(D + 0,4)$
4	99,97	312,8	315,3
5	125,37	392,6	395,1
6	150,77	472,4	474,9
7	176,17	552,2	554,9
8	201,57	632	634,5
9	226,97	711,8	714,3
10	252,37	791,6	794,1
12	303,17	951,2	953,7

1) Ball tape diameter: 10 mm. Ball sizes other than 10 mm may be used if suitable alterations to the mandrel diameter and circumference dimensions are made.

2) $\pi = 3,141 59$

UDC 629.118.6.012.61

Descriptors: road vehicles, motorcycles, vehicle wheels, rims, dimensions, designation.

Price based on 6 pages