
International Standard



6124

INTERNATIONAL ORGANIZATION FOR STANDARDIZATION • МЕЖДУНАРОДНАЯ ОРГАНИЗАЦИЯ ПО СТАНДАРТИЗАЦИИ • ORGANISATION INTERNATIONALE DE NORMALISATION

Spherical plain radial bearings, joint type — Dimension series E and G — Boundary dimensions

Rotules lisses d'articulation à contact radial — Séries de dimensions E et G — Dimensions d'encombrement

First edition — 1979-12-15

iTeh STANDARD PREVIEW
(standards.iteh.ai)

[ISO 6124:1979](#)

<https://standards.iteh.ai/catalog/standards/sist/af2de10-1a28-4dcd-8320-565904523aa1/iso-6124-1979>

UDC 621.822.3

Ref. No. ISO 6124-1979 (E)

Descriptors : bearings, plain bearings, radial bearings, spherical bearings, dimensions.

Price based on 2 pages

FOREWORD

ISO (the International Organization for Standardization) is a worldwide federation of national standards institutes (ISO member bodies). The work of developing International Standards is carried out through ISO technical committees. Every member body interested in a subject for which a technical committee has been set up has the right to be represented on that committee. International organizations, governmental and non-governmental, in liaison with ISO, also take part in the work.

Draft International Standards adopted by the technical committees are circulated to the member bodies for approval before their acceptance as International Standards by the ISO Council.

International Standard ISO 6124 was developed by Technical Committee ISO/TC 4, *Rolling bearings*, and was circulated to the member bodies in September 1978.

ITEH STANDARD PREVIEW
(standards.iteh.ai)

It has been approved by the member bodies of the following countries :

ISO 6124:1979

Australia	Hungary	Poland
Austria	India	Romania
Belgium	Italy	South Africa, Rep. of
Canada	Japan	Sweden
Chile	Korea, Dem. P. Rep. of	Switzerland
China	Korea, Rep. of	United Kingdom
Czechoslovakia	Libyan Arab Jamahiriya	USA
France	Mexico	USSR
Germany, F.R.	Netherlands	Yugoslavia

No member body expressed disapproval of the document.

Spherical plain radial bearings, joint type — Dimension series E and G — Boundary dimensions

iTeh STANDARD PREVIEW
(standards.iteh.ai)

1 SCOPE AND FIELD OF APPLICATION

This International Standard specifies dimensions for radial spherical plain bearings, joint type, dimension series E and G.

These dimensions define the bearings geometrically but do not impose any restrictions as to material or manufacturing methods.

Chamfer dimensions are given as minimum values. Appropriate maximum values are specified in ISO 582.

Tolerances for the bore diameter, outside diameter and width are given in ISO 6125.

2 REFERENCES

ISO 582, *Rolling bearings — Metric series bearings — Chamfer dimension limits.*

ISO 6125, *Spherical plain radial bearings, Joint type — Tolerances.*¹⁾

3 SYMBOLS

d	= bearing bore diameter, nominal
d_1	= outer diameter of inner ring face
D	= bearing outside diameter, nominal
B	= inner ring width, nominal
C	= outer ring width, nominal
r_1	= inner ring chamfer, height and width
r_2	= outer ring chamfer, height and width
$r_{1\text{sm in}}$	= smallest permissible single r_1
$r_{2\text{sm in}}$	= smallest permissible single r_2
α	= angle of permissible tilt.

1) At present at the stage of draft.

4 DIMENSIONS

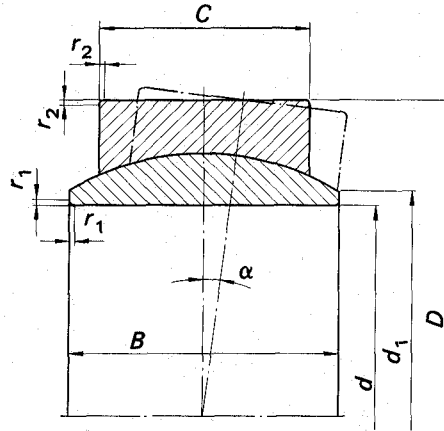


TABLE 1 – Series E

TABLE 2 – Series G

Dimensions in millimetres and degrees

d	D	B	C	d _{1 min}	r _{1smin}	r _{2smin}	α ¹⁾
4	12	5	3	6	0,3	0,3	16°
5	14	6	4	7	0,3	0,3	13°
6	14	6	4	8	0,3	0,3	13°
8	16	8	5	10	0,3	0,3	15°
10	19	9	6	13	0,6	0,3	12°
12	22	10	7	15	0,6	0,6	10°
14	26	12	9	18	0,6	0,6	8°
15	26	12	9	18	0,6	0,6	8°
16	30	14	10	20	0,6	0,6	10°
17	30	14	10	20	0,6	0,6	10°
20	35	16	12	24	0,6	0,6	9°
24	42	20	16	29	0,6	0,6	7°
25	42	20	16	29	0,6	0,6	7°
30	47	22	18	34	0,6	0,6	6°
35	55	25	20	39	0,6	1,0	6°
40	62	28	22	45	0,6	1,0	7°
45	68	32	25	50	0,6	1,0	7°
50	75	35	28	55	0,6	1,0	6°
55	85	40	32	62	0,6	1,0	7°
60	90	44	36	66	1,0	1,0	6°
70	105	49	40	77	1,0	1,0	6°
80	120	55	45	88	1,0	1,0	6°
90	130	60	50	98	1,0	1,0	5°
100	150	70	55	109	1,0	1,0	7°
110	160	70	55	120	1,0	1,0	6°
120	180	85	70	130	1,0	1,0	6°
140	210	90	70	150	1,0	1,0	7°
160	230	105	80	170	1,0	1,0	8°
180	260	105	80	192	1,1	1,1	6°
200	290	130	100	212	1,1	1,1	7°
220	320	135	100	238	1,1	1,1	8°
240	340	140	100	265	1,1	1,1	8°
260	370	150	110	285	1,1	1,1	7°
280	400	155	120	310	1,1	1,1	6°
300	430	165	120	330	1,1	1,1	7°

d	D	B	C	d _{1 min}	r _{1smin}	r _{2smin}	α ¹⁾
4	14	7	4	7	0,3	0,3	20°
5	16	9	5	8	0,3	0,3	21°
6	16	9	5	9	0,3	0,3	21°
8	19	11	6	11	0,3	0,3	21°
10	22	12	7	13	0,6	0,6	18°
12	26	15	9	16	0,6	0,6	18°
14	30	16	10	19	0,6	0,6	16°
15	30	16	10	19	0,6	0,6	16°
16	35	20	12	21	0,6	0,6	19°
17	35	20	12	21	0,6	0,6	19°
20	42	25	16	24	0,6	0,6	17°
24	47	28	18	29	0,6	0,6	17°
25	47	28	18	29	0,6	0,6	17°
30	55	32	20	34	0,6	1,0	17°
35	62	35	22	39	0,6	1,0	16°
40	68	40	25	44	0,6	1,0	17°
45	75	43	28	50	0,6	1,0	15°
50	90	56	36	57	0,6	1,0	17°
60	105	63	40	67	1,0	1,0	17°
70	120	70	45	77	1,0	1,0	16°
80	130	75	50	87	1,0	1,0	14°
90	150	85	55	98	1,0	1,0	15°
100	160	85	55	110	1,0	1,0	14°
110	180	100	70	122	1,0	1,0	12°
120	210	115	70	132	1,0	1,0	16°
140	230	130	80	151	1,0	1,0	16°
160	260	135	80	176	1,1	1,0	16°
180	290	155	100	196	1,1	1,1	14°
200	320	165	100	220	1,1	1,1	15°
220	340	175	100	243	1,1	1,1	16°
240	370	190	110	263	1,1	1,1	15°
260	400	205	120	285	1,1	1,1	15°
280	430	210	120	310	1,1	1,1	15°

1) Approximate values.