



SLOVENSKI STANDARD

SIST EN 60399:2000/A2:2000

01-april-2000

Standard sheets for barrel thread for E14 and E27 lampholders with shade holder ring - Amendment A2 (IEC 60399:1972/A2:1999)

Standard sheets for barrel thread for E14 and E27 lampholders with shade holder ring

Normblätter für Mantelgewinde für Lampenfassungen E14 und E27 mit Schirmträgerring

Feuilles de normes pour filetage à filets ronds pour douilles E14 et E27 avec bague support d'abat-jour

ITeH STANDARD PREVIEW
(standards.iteh.ai)

Ta slovenski standard je istoveten z: **EN 60399:1993/A2:1999**

SIST EN 60399:2000/A2:2000
<https://standards.iteh.ai/catalog/standards/sist/458dbc9-d281-47a7-b2c1-b797d84783f6/sist-en-60399-2000-a2-2000>

ICS:

29.140.10	Grla in držala žarnic	Lamp caps and holders
31.060.10	Fiksni kondenzatorji	Fixed capacitors

SIST EN 60399:2000/A2:2000

en

iTeh STANDARD PREVIEW
(standards.iteh.ai)

[SIST EN 60399:2000/A2:2000](https://standards.iteh.ai/catalog/standards/sist/438dbc9-d281-47a7-b2c1-b797d84783f6/sist-en-60399-2000-a2-2000)

<https://standards.iteh.ai/catalog/standards/sist/438dbc9-d281-47a7-b2c1-b797d84783f6/sist-en-60399-2000-a2-2000>

EUROPEAN STANDARD
NORME EUROPÉENNE
EUROPÄISCHE NORM

EN 60399/A2

April 1999

ICS 31.060.10
UDC 621.316.581 + 628.95.002.72.001.4:621.753.3:389.63

English version

**Standard sheets for barrel thread for E14 and E27 lampholders
with shade holder ring
(IEC 60399:1972/A2:1999)**

Feuilles de normes pour filetage à filets
ronds pour douilles E14 et E27 avec
bague support d'abat-jour
(CEI 60399:1972/A2:1999)

Normblätter für Mantelgewinde für
Lampenfassungen E14 und E27
mit Schirmträgerring
(IEC 60399:1972/A2:1999)

iTeh STANDARD PREVIEW
(standards.iteh.ai)

SIST EN 60399:2000/A2:2000

<https://standards.iteh.ai/catalog/standards/sist/41811c0c-2000-4007-8000-000110000000/60399-1999-1999-04-01>
This amendment A2 modifies the European Standard EN 60399:1993; it was approved by CENELEC on 1999-04-01. CENELEC members are bound to comply with the CEN/CENELEC Internal Regulations which stipulate the conditions for giving this amendment the status of a national standard without any alteration.

Up-to-date lists and bibliographical references concerning such national standards may be obtained on application to the Central Secretariat or to any CENELEC member.

This amendment exists in three official versions (English, French, German). A version in any other language made by translation under the responsibility of a CENELEC member into its own language and notified to the Central Secretariat has the same status as the official versions.

CENELEC members are the national electrotechnical committees of Austria, Belgium, Czech Republic, Denmark, Finland, France, Germany, Greece, Iceland, Ireland, Italy, Luxembourg, Netherlands, Norway, Portugal, Spain, Sweden, Switzerland and United Kingdom.

CENELEC

European Committee for Electrotechnical Standardization
Comité Européen de Normalisation Electrotechnique
Europäisches Komitee für Elektrotechnische Normung

Central Secretariat: rue de Stassart 35, B - 1050 Brussels

Foreword

The text of document 34B/801/FDIS, future amendment 2 to IEC 60399:1972, prepared by SC 34B, Lamp caps and holders, of IEC TC 34, Lamps and related equipment, was submitted to the IEC-CENELEC parallel vote and was approved by CENELEC as amendment A2 to EN 60399:1993 on 1999-04-01.

The following dates were fixed:

- latest date by which the amendment has to be implemented
at national level by publication of an identical
national standard or by endorsement (dop) 2000-01-01
- latest date by which the national standards conflicting
with the amendment have to be withdrawn (dow) 2006-04-01

Endorsement notice

The text of amendment 2:1999 to the International Standard IEC 60399:1972 was approved by CENELEC as an amendment to the European Standard without any modification.

iTeh STANDARD PREVIEW (standards.iteh.ai)

SIST EN 60399:2000/A2:2000
<https://standards.iteh.ai/catalog/standards/sist/438dbc9-d281-47a7-b2c1-b797d84783f6/sist-en-60399-2000-a2-2000>

NORME
INTERNATIONALE
INTERNATIONAL
STANDARD

CEI
IEC

60399

1972

AMENDEMENT 2
AMENDMENT 2
1999-02

Amendement 2

**Feuilles de normes pour filetage à filets ronds
pour douilles E14 et E27 avec bague
support d'abat-jour**

<https://standards.iteh.ai/standards/sist/438dbc9-d281-47a7-b2c1-b797d84783f6/sist-en-60399-2000-a2-2000>

Amendment 2

**Standard sheets for barrel thread
for E14 and E27 lampholders
with shade holder ring**

© IEC 1999 Droits de reproduction réservés — Copyright - all rights reserved

International Electrotechnical Commission 3, rue de Varembe Geneva, Switzerland
Telefax: +41 22 919 0300 e-mail: inmail@iec.ch IEC web site <http://www.iec.ch>



Commission Electrotechnique Internationale
International Electrotechnical Commission
Международная Электротехническая Комиссия

CODE PRIX
PRICE CODE

C

Pour prix, voir catalogue en vigueur
For price, see current catalogue

FOREWORD

This amendment has been prepared by subcommittee 34B: Lamp caps and holders, of IEC technical committee 34: Lamps and related equipment.

The text of this standard is based on the following documents:

FDIS	Report on voting
34B/801/FDIS	34B/808/RVD

Full information on the voting for the approval of this amendment can be found in the report on voting indicated in the above table.

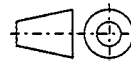
iTeh STANDARD PREVIEW (standards.iteh.ai)

SIST EN 60399:2000/A2:2000

<https://standards.iteh.ai/catalog/standards/sist/438dbc9-d281-47a7-b2c1-b797d84783f6/sist-en-60399-2000-a2-2000>

Replace STANDARD SHEET I and STANDARD SHEET II by the following STANDARD SHEETS I and II:

**FILETAGE À FILETS ROUNDS POUR DOUILLES E14
ET E27 AVEC BAGUE SUPPORT D'ABAT-JOUR**

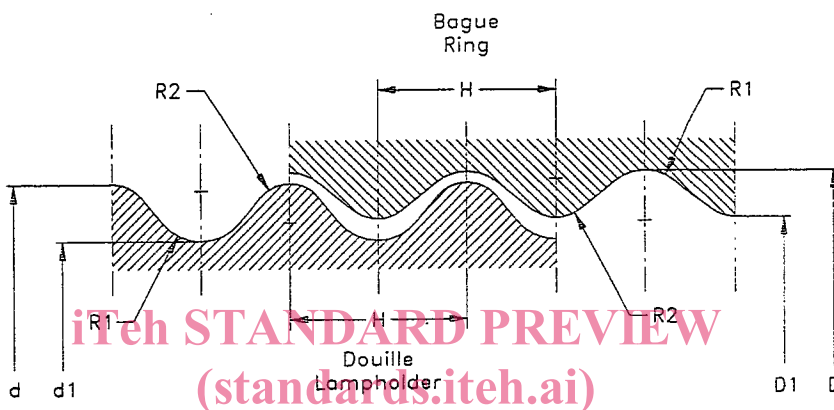


**BARREL THREAD FOR E14 AND E27 LAMP HOLDERS
WITH SHADE HOLDER RING**

Dimensions in millimetres - Dimensions en millimètres

**DIMENSIONS LIMITES DU FILETAGE
POUR
DOUILLES EN MÉTAL OU EN MATIÈRE PLASTIQUE AVEC
BAGUE SUPPORT D'ABAT-JOUR EN MÉTAL OU EN
MATIÈRE PLASTIQUE**

**LIMIT DIMENSIONS OF THREAD
FOR
METAL OR PLASTIC LAMP HOLDERS WITH SHADE
HOLDER RINGS MADE OF METAL OR PLASTIC**



SIST EN 60399:2000/A2:2000

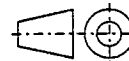
<https://standards.iteh.ai/catalog/standards/sist/438dbcf9-d281-47a7-b2c1-b797d84783f6/sist-en-60399-2000-a2-2000>

Dimension	Douille Lamp holder		Bague Ring			H	R1	R2	Pour douille For lamp holder	
	d	d1	D	D1						
	Max.	Min.	Max.	Min.	Max.					
28 x 2	28	27,7	26,6	28,1	26,7	27	2	0,58	0,45	E14
40 x 2,5	40	39,6	38,2	40,1	38,3	38,7	2,5	0,7	0,55	E27

Le filetage à filets ronds pour douilles E14 et E27 ainsi que le filetage de la bague support d'abat-jour peuvent être discontinus. Le premier pas de recouvrement des deux filetages doit couvrir au moins 75% de la circonférence.

The barrel thread of E14 and E27 lamp holders and the thread of shade holder rings may be interrupted. The first overlapping pitch of both threads shall cover at least 75% of the circumference.

FILETAGE À FILETS ROUNDS POUR DOUILLES E14 ET E27 AVEC BAGUE SUPPORT D'ABAT-JOUR
BARREL THREAD FOR E14 AND E27 LAMP HOLDERS WITH SHADE HOLDER RING



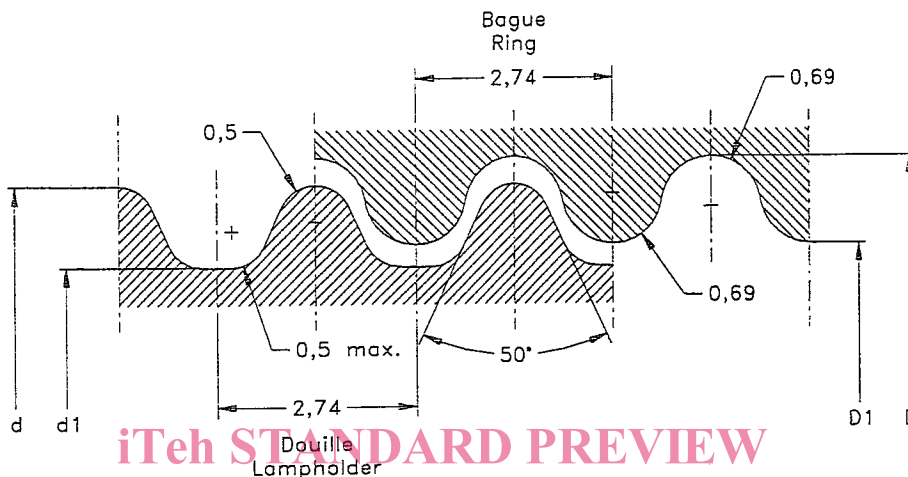
Dimensions in millimetres - Dimensions en millimètres

DIMENSIONS LIMITES DU FILETAGE
POUR
DOUILLES CÉRAMIQUES AVEC BAGUE SUPPORT D'ABAT-JOUR EN MÉTAL OU EN MATIÈRE PLASTIQUE

LIMIT DIMENSIONS OF THREAD
FOR
CERAMIC LAMP HOLDERS WITH SHADE HOLDER RINGS
MADE OF METAL OR PLASTIC

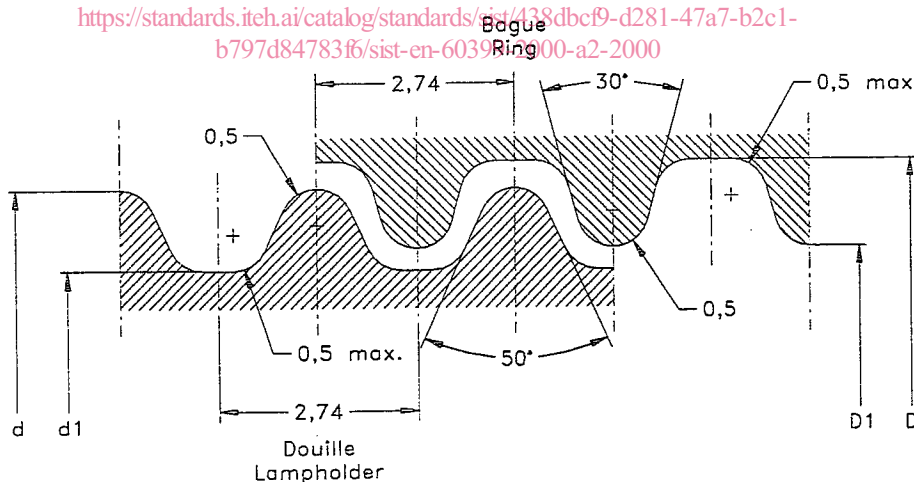
Bague en métal

Metal ring



Bague en matière plastic

Plastic ring



Dimension	Douille Lampholder		Bague Ring				Pour douille For lamp holder
	d		d1	D	D1		
	Max.	Min.	Max.	Min.	Min.	Max.	
35 x 2,74	35	34,5	32,5	35,5	33	33,2	E14
45 x 2,74	45	44,5	42,5	45,5	43	43,2	E27

Le filetage à filets ronds pour douilles E14 et E27 ainsi que le filetage de la bague support d'abat-jour peuvent être discontinus. Le premier pas de recouvrement des deux filetages doit couvrir au moins 75% de la circonférence.

The barrel thread of E14 and E27 lampholders and the thread of shade holder rings may be interrupted. The first overlapping pitch of both threads shall cover at least 75% of the circumference.