

**High-voltage switchgear and controlgear –
Part 102: Alternating current disconnectors and earthing switches**

CORRIGENDUM 2

Cover page, title page, and pages 7 and 10

Instead of:

High-voltage switchgear and controlgear – Part 102: High-voltage alternating current disconnectors and earthing switches

read:

High-voltage switchgear and controlgear – Part 102: Alternating current disconnectors and earthing switches

Page 8 and 9

New numbering

Instead of the existing text and table, read:

COMMON NUMBERING OF IEC 62271 PUBLICATIONS FALLING UNDER THE RESPONSIBILITY OF SUBCOMMITTEES SC 17A AND SC 17C

In accordance with the decision taken at the joint SC 17A/SC 17C meeting in Frankfurt, June 1998 (item 20.7 of 17A/535/RM), a common numbering system has been established for the publications falling under the responsibility of SC 17A and SC 17C. IEC 62271 - *High-voltage switchgear and controlgear* is the publication number and main title element for the common publications.

Numbering of these publications will apply the following principle:

- a) Common standards prepared by SC 17A and SC 17C will start with IEC 62271-1;
- b) Standards of SC 17A will start with IEC 62271-100;
- c) Standards of SC 17C will start with number IEC 62271-200;
- d) Publications prepared by SC 17A and SC 17C will start with number IEC 62271-300.

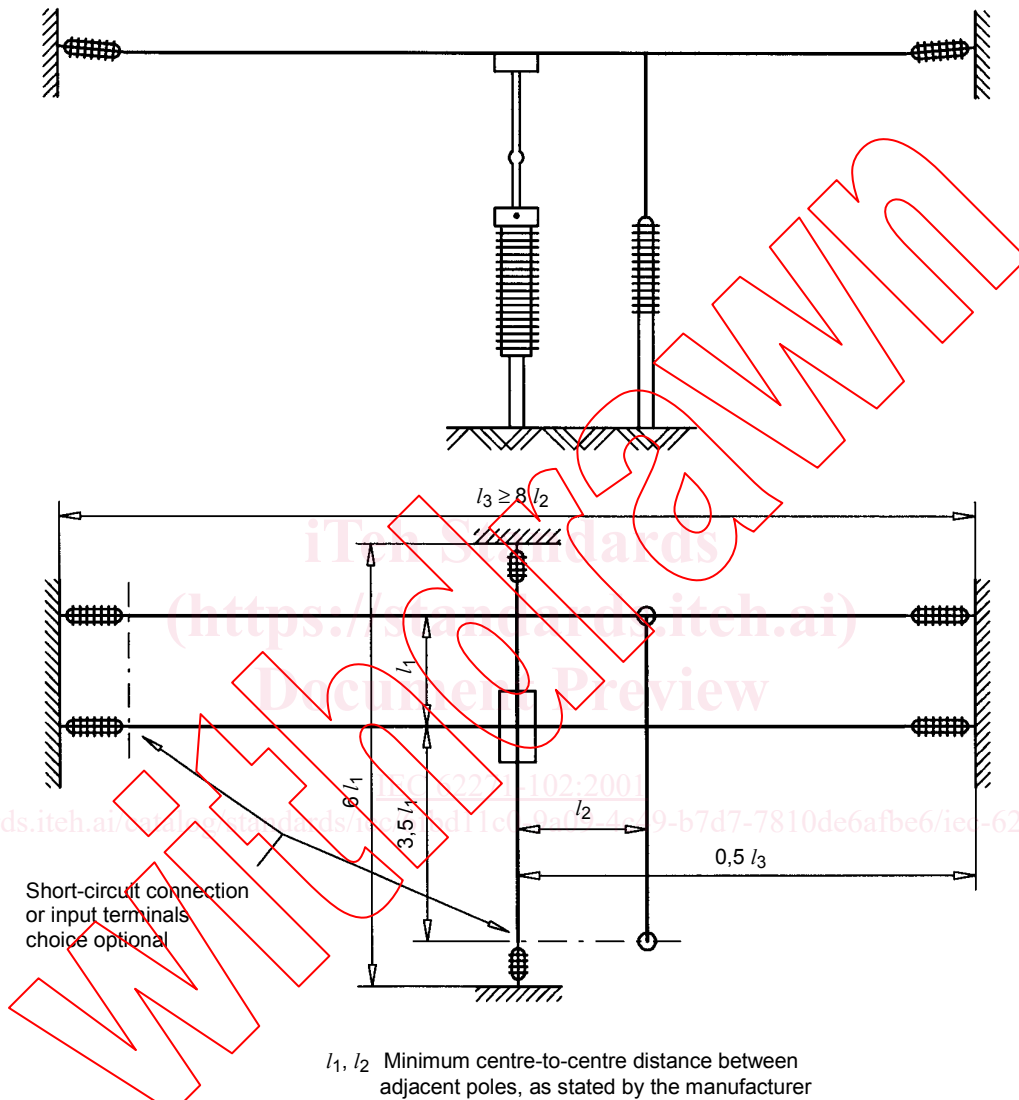
The table below relates the new numbers to the old numbers. The parts numbered (xxx) will be given a final number pending the decision to publish the revised publication as standard or technical report.

**Common numbering of IEC 62271 publications falling under
the responsibility of subcommittees SC 17A and SC 17C**

IEC 62271	HIGH-VOLTAGE SWITCHGEAR AND CONTROLGEAR -	Old IEC number, if any
Part	Title	
1	Common specifications	IEC 60694
2	Seismic qualification for rated voltages of 72,5 kv and above	-
100	High-voltage alternating current circuit-breakers	IEC 60056
101	Synthetic testing	IEC 60427
102	Alternating current disconnectors and earthing switches	IEC 60129
103	Switches for rated voltages above 1 kV and less than 52 kV	IEC 60265-1
104	Switches for rated voltages of 52 kV and above	IEC 60265-2
105	Alternating current switch-fuse combinations	IEC 60420
106	Alternating current contactors and contactor based motor-starters	IEC 60470
107	Alternating current switchgear-fuse combinations	-
108	Switchgear having combined functions	-
109	Series capacitor by-pass switches	-
200	Metal enclosed switchgear and controlgear for rated voltages up to and including 52 kV	IEC 60298
201	Insulation-enclosed switchgear and controlgear for rated voltages up to and including 52 kV	IEC 60466
202	High-voltage/low voltage prefabricated substations	IEC 61330
203	Gas-insulated metal enclosed switchgear for rated voltages above 52 kV	IEC 60517
204	High-voltage gas-insulated transmission lines for rated voltages of 72,5 kV and above	IEC 61640
(300)	Guide for seismic qualification of high-voltage alternating current circuit-breakers	IEC 61166
(301)	Guide for inductive load switching	IEC 61233
(302)	Guide for short-circuit and switching test procedures for metal-enclosed and dead tank circuit-breakers	IEC 61633
(303)	Use and handling of sulphur hexafluoride (SF ₆) in high-voltage switchgear and controlgear	IEC 61634
(304)	Additional requirements for enclosed switchgear and controlgear from 1 kV to 72,5 kV to be used in severe climatic conditions	IEC 60932
(305)	Cable connections for gas-insulated metal-enclosed switchgear for rated voltages above 52 kV	IEC 60859
(306)	Direct connection between power transformers and gas-insulated metal-enclosed switchgear for rated voltages above 52 kV	IEC 61639
(307)	The use of electronic and associated technologies in auxiliary equipment of switchgear and controlgear	IEC 62063
308	Guide for asymmetrical short-circuit breaking test duty T100a	-
309	TRV parameters for high-voltage switchgear and controlgear for rated voltages above 1 kV and less than 100 kV	-
310	Electrical endurance testing for circuit-breakers rated 72,5 kV and above	-

Figure 5 – Single-phase test arrangement for divided support disconnectors (earthing switches) with a vertical isolating distance with rated voltages of 52 kV and above to be used with flexible conductors

Replace the drawing of Figure 5 with that of Figure 6 given below.



IEC 1651/03