

**Izdelki za varstvo in nego otrok - Prenosne posteljice in stajice -
Varnostne zahteve in preskusne metode**

Child care articles - Carry cots and stands - Safety requirements and test
methods

iTeh STANDARD PREVIEW
(standards.iteh.ai)

[SIST EN 1466:2002/AC:2002](https://standards.iteh.ai/catalog/standards/sist/7753d45-caca-45e0-aff3-c488a3036e30/sist-en-1466-2002-ac-2002)

[https://standards.iteh.ai/catalog/standards/sist/7753d45-caca-45e0-aff3-
c488a3036e30/sist-en-1466-2002-ac-2002](https://standards.iteh.ai/catalog/standards/sist/7753d45-caca-45e0-aff3-c488a3036e30/sist-en-1466-2002-ac-2002)

iTeh STANDARD PREVIEW
(standards.iteh.ai)

SIST EN 1466:2002/AC:2002

<https://standards.iteh.ai/catalog/standards/sist/775f3d45-caca-45e0-aff3-c488a3036e30/sist-en-1466-2002-ac-2002>

EUROPEAN STANDARD

EN 1466:1998/AC

NORME EUROPÉENNE

June 1998

EUROPÄISCHE NORM

Juin 1998

Juni 1998

English version
Version Française
Deutsche Fassung

Child care articles - Carry cots and stands - Safety requirements and test methods

Articles de puériculture - Couffins et supports - Exigences de sécurité et méthodes d'essai

Artikel für Säuglinge und Kleinkinder - Tragetaschen und Ständer - Sicherheitstechnische Anforderungen und Prüfverfahren

This corrigendum becomes effective on 25 June 1998 for incorporation in the three official language versions of the EN.

Ce corrigendum prendra effet le 25 juin 1998 pour incorporation dans les trois versions linguistiques officielles de la EN.

Die Berichtigung tritt am 25. Juni 1998 in Kraft und ist in die drei offiziellen Sprachfassungen der EN einzufügen.



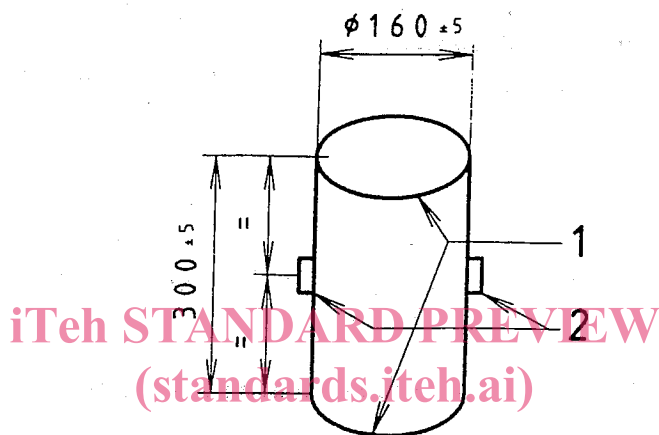
EUROPEAN COMMITTEE FOR STANDARDIZATION
COMITÉ EUROPÉEN DE NORMALISATION
EUROPÄISCHES KOMITEE FÜR NORMUNG

Central Secretariat: rue de Stassart, 36 B-1050 Brussels

5.1.2 Test cylinder

A rigid cylinder (160 ± 5) mm in diameter and (300 ± 5) mm in height, having a mass of $9_0^{+0,01}$ kg and with its centre of gravity in the centre of the cylinder. All edges shall have a radius of (5 ± 1) mm. Two anchorage points shall be provided. These shall be positioned ($150 \pm 2,5$) mm from the base and at 180° to each other around the circumference (see figure 4).

Dimensions in millimetres



SIST EN 1466:2002/AC:2002
<https://standards.iteh.ai/catalog/standards/sist/753d45-caca-45e0-aff3-c488a3036e30/sist-en-1466-2002-ac-2002>

- 1 Radius $r = 5 \pm 1$
- 2 Two anchorage points

Figure 4 : Test cylinder

