



SLOVENSKI STANDARD

SIST EN 12310-2:2001

01-december-2001

Hidroizolacijski trakovi - Določevanje odpornosti proti nadaljnemu trganju - 2. del: Polimerni in elastomerni trakovi za tesnjenje streh

Flexible sheets for waterproofing - Determination of resistance to tearing - Part 2: Plastic and rubber sheets for roof waterproofing

Abdichtungsbahnen - Bestimmung des Widerstandes gegen Weiterreißen - Teil 2:
Kunststoff- und Elastomerbahnen für Dachabdichtungen

Feuilles souples d'étanchéité - Détermination de la résistance a la déchirure - Partie 2:
Feuilles d'étanchéité de toiture plastiques et élastomeres

<https://standards.iteh.ai/catalog/standards/sist/b331dba2-8554-47dd-bcb3-1463a64b4feb/sist-en-12310-2-2001>

Ta slovenski standard je istoveten z: EN 12310-2:2000

ICS:

91.060.20	Strehe	Roofs
91.100.50	Veziva. Tesnilni materiali	Binders. Sealing materials

SIST EN 12310-2:2001

en

iTeh STANDARD PREVIEW
(standards.iteh.ai)

SIST EN 12310-2:2001

<https://standards.iteh.ai/catalog/standards/sist/b331dba2-8554-47dd-bcb3-1463a64b4feb/sist-en-12310-2-2001>

EUROPEAN STANDARD
NORME EUROPÉENNE
EUROPÄISCHE NORM

EN 12310-2

September 2000

ICS 91.100.50

English version

Flexible sheets for waterproofing - Determination of resistance to tearing - Part 2: Plastic and rubber sheets for roof waterproofing

Feuilles souples d'étanchéité - Détermination de la résistance à la déchirure - Partie 2: Feuilles d'étanchéité de toiture plastiques et élastomères

Abdichtungsbahnen - Bestimmung des Widerstandes gegen Weiterreißen - Teil 2: Kunststoff- und Elastomerbahnen für Dachabdichtungen

This European Standard was approved by CEN on 17 August 2000.

CEN members are bound to comply with the CEN/CENELEC Internal Regulations which stipulate the conditions for giving this European Standard the status of a national standard without any alteration. Up-to-date lists and bibliographical references concerning such national standards may be obtained on application to the Central Secretariat or to any CEN member.

This European Standard exists in three official versions (English, French, German). A version in any other language made by translation under the responsibility of a CEN member into its own language and notified to the Central Secretariat has the same status as the official versions.

CEN members are the national standards bodies of Austria, Belgium, Czech Republic, Denmark, Finland, France, Germany, Greece, Iceland, Ireland, Italy, Luxembourg, Netherlands, Norway, Portugal, Spain, Sweden, Switzerland and United Kingdom.

[SIST EN 12310-2:2001](https://standards.iteh.ai/catalog/standards/sist/b331dba2-8554-47dd-bcb3-1463a64b4feb/sist-en-12310-2-2001)

<https://standards.iteh.ai/catalog/standards/sist/b331dba2-8554-47dd-bcb3-1463a64b4feb/sist-en-12310-2-2001>



EUROPEAN COMMITTEE FOR STANDARDIZATION
COMITÉ EUROPÉEN DE NORMALISATION
EUROPÄISCHES KOMITEE FÜR NORMUNG

Central Secretariat: rue de Stassart, 36 B-1050 Brussels

Contents

	Page
Foreword.....	3
Introduction.....	3
1 Scope.....	3
2 Normative references	3
3 Definition	3
4 Principle.....	3
5 Apparatus	4
6 Sampling	5
7 Preparation of test specimens.....	5
8 Procedure	6
9 Expression of results	6
10 Test report	6

iTeh STANDARD PREVIEW
(standards.iteh.ai)

[SIST EN 12310-2:2001](https://standards.iteh.ai/catalog/standards/sist/b331d8a2-8554-47dd-bcb3-1463a64b4feb/sist-en-12310-2-2001)

<https://standards.iteh.ai/catalog/standards/sist/b331d8a2-8554-47dd-bcb3-1463a64b4feb/sist-en-12310-2-2001>

Foreword

This European Standard has been prepared by Technical Committee CEN/TC 254 "Flexible sheets for waterproofing", the secretariat of which is held by BSI.

This European Standard shall be given the status of a national standard, either by publication of an identical text or by endorsement, at the latest by March 2001, and conflicting national standards shall be withdrawn at the latest by March 2001.

According to the CEN/CENELEC Internal Regulations, the national standards organizations of the following countries are bound to implement this European Standard: Austria, Belgium, Czech Republic, Denmark, Finland, France, Germany, Greece, Iceland, Ireland, Italy, Luxembourg, Netherlands, Norway, Portugal, Spain, Sweden, Switzerland and the United Kingdom.

Introduction

This European Standard is intended for characterisation of plastic and rubber sheets as manufactured or supplied before use. This test method relates exclusively to products or to their components where appropriate, and not to waterproofing membrane systems composed of such products and installed in the works.

This test is intended to be used in conjunction with European Standard "Definitions and Characteristics" for plastic and rubber sheets for roof waterproofing.

1 Scope

This European Standard specifies a method for the determination of tear properties of plastic and rubber sheets for roof waterproofing using a trapezoidal test specimen with a nick or cut.

iTeh STANDARD PREVIEW
(standards.iteh.ai)
<https://standards.iteh.ai/catalog/standards/sist/b331dba2-8554-47dd-bcb3-1463a64b4feb/sist-en-12310-2-2001>

2 Normative references

This European Standard incorporates, by dated or undated references, provisions from other publications. These normative references are cited at the appropriate places in the text and the publications are listed hereafter. For dated references, subsequent amendments to or revisions of any of these publications apply to this European Standard only when incorporated in it by amendment or revision. For undated references, the latest editions of the publication referred to apply.

EN ISO 7500-1	Metallic materials – Verification of static uniaxial testing machines - Part 1: Tension/compression testing machines (ISO 7500-1:1999)
prEN 13416:2000	Flexible sheets for waterproofing – Bitumen, plastic and rubber sheets for roof waterproofing – Rules for sampling

3 Definition

For the purpose of this standard, the following definition applies:

3.1 Resistance to tearing: The maximum tensile force required to tear a pre-cut test specimen.

4 Principle

The principle of the test is measurement of the force required to completely tear the test specimen, in continuation of the cut or nick already produced in the test specimen.

The tearing force is applied by means of a tensile testing machine at a constant speed until the test specimen breaks. The maximum peak force achieved is reported.

5 Apparatus

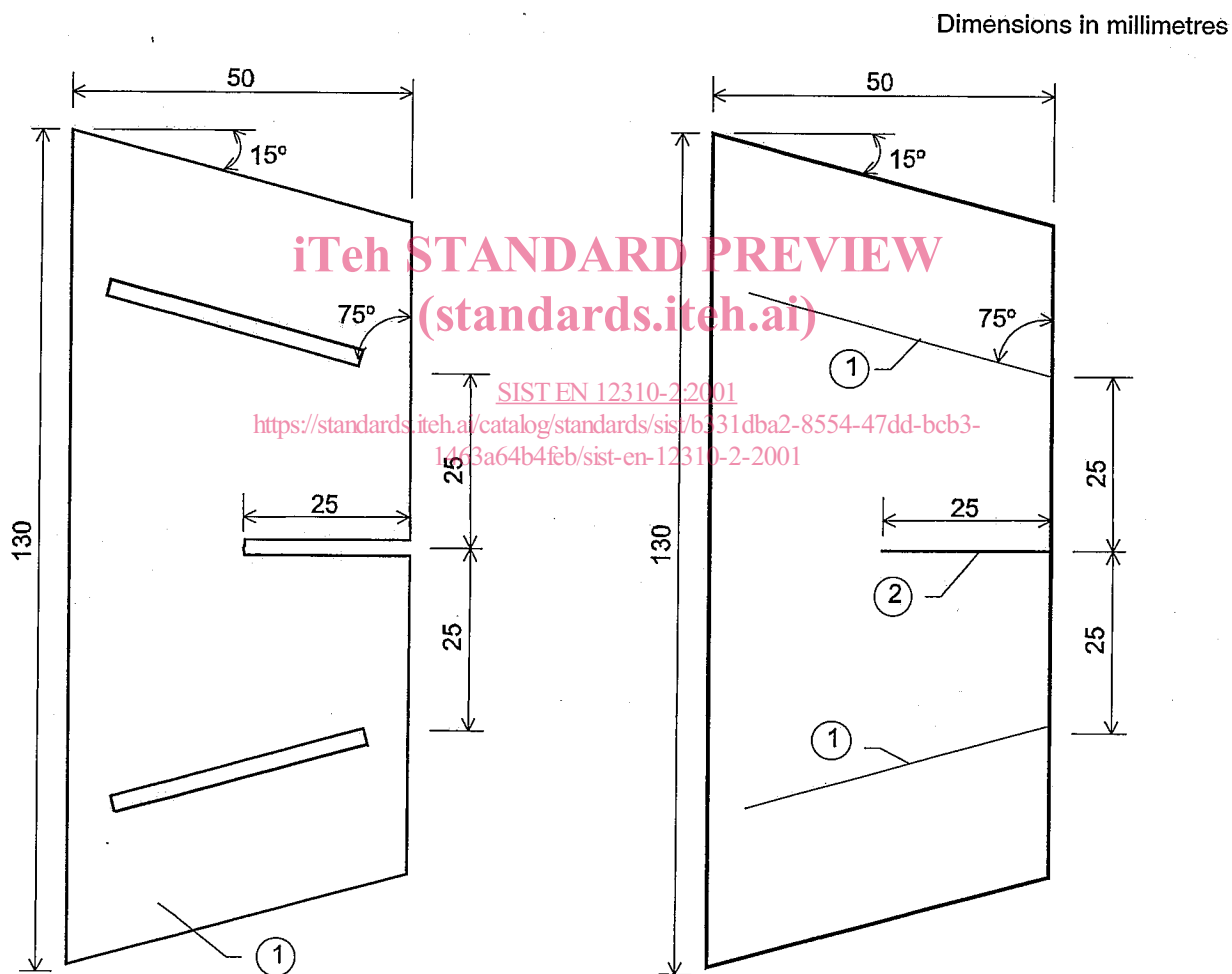
Tensile testing machine equipped with a continuous recording of force and corresponding extension and capable of maintaining a uniform speed of grip separation as specified below.

The tensile testing machine shall have a sufficient loading capacity of at least 2000 N and a grip separation speed of (100 ± 10) mm per min. The width of grips shall not be less than 50 mm.

The tensile testing machine shall be equipped with grips of a type which maintain or increase the clamping pressure as a function of the increase of the force applied to the test specimen. The test specimen shall be held so that it does not slip in the grips more than 1 mm for products up to and including 3 mm thick, and 2 mm for thicker products. A mark or tape on the test specimen where it enters the grips will help reveal any slip.

The force measuring system shall meet at least Class 2 of EN ISO 7500-1 (i.e. $\pm 2\%$)

The template used for cutting the test specimens shall have dimensions as shown in Figure 1.



Key

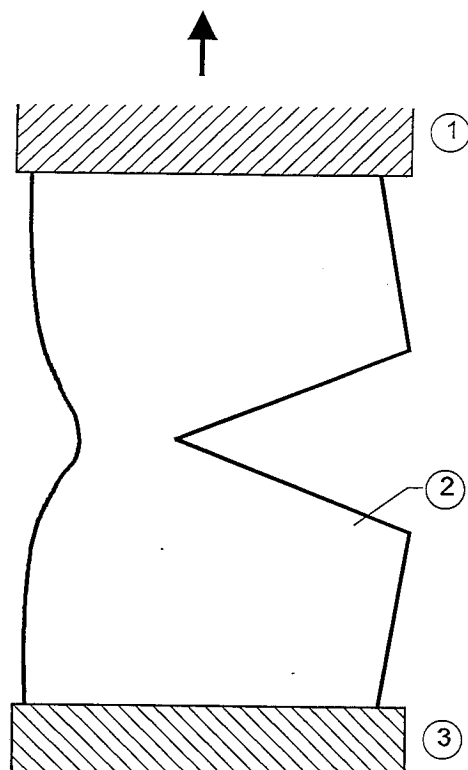
1 Template thickness: 2 to 3 mm

Key

1 Line for grip
2 Nick or cut

Figure 1 - Template for cutting the test specimen

Figure 2 - Shape and dimension of the test specimen



iTeh STANDARD PREVIEW
(standards.iteh.ai)

Key

- 1 Upper grip
- 2 Test specimen
- 3 Lower grip

SIST EN 12310-2:2001
<https://standards.iteh.ai/catalog/standards/sist/b331dba2-8554-47dd-bcb3-1463a64b4feb/sist-en-12310-2-2001>

Figure 3 - Test specimen mounted in the grips

6 Sampling

Samples shall be taken in accordance with prEN 13416:2000.

7 Preparation of test specimens

The shape and dimensions of the test specimens are given in Figure 2.

The angle α shall be produced with an accuracy of 1° .

Using the template cut five specimens with the nick or cut in the longitudinal direction and five with the nick or cut in the transversal direction of the sheet.

Mark on every test specimen the lines indicating the position of the grips.

Condition the test specimens, prior to testing, for at least 20 h in a standard atmosphere of $(23 \pm 2)^\circ\text{C}$ and $(50 \pm 5)\%$ relative humidity.

8 Procedure

The test specimen shall be tightly clamped in the tensile testing machine grips (clause 5) taking care that the lines are aligned with the front edge of the grips (see Figure 3).

The test is carried out on a test specimen at a temperature of $(23 \pm 2)^\circ\text{C}$ and at a constant separating speed for the grips of (100 ± 10) mm/min.

The maximum applied tensile force shall be recorded for each test specimen.

9 Expression of results

9.1 Evaluation

State for each test specimen the maximum force in Newton.

Disregard any result where the test specimen slips by more than the permitted limit within the grips of the tensile testing machine, and retest with a replacement specimen.

Calculate for each direction the arithmetic mean tear force (\bar{F}_L and \bar{F}_T) in Newton and state the result to the nearest Newton.

9.2 Precision of the test method

No information is available at this time.

ITeH STANDARD PREVIEW
(standards.iteh.ai)

10 Test report

<https://standards.iteh.ai/catalog/standards/sist/b331dba2-8554-47dd-bcb3-1463a64b4feb/sist-en-12310-2-2001>

The test report shall include the following information:

- a reference to this European Standard (EN 12310-2) and any deviation from it;
- all details necessary to identify the product tested;
- information on sampling in accordance with clause 6;
- details of preparation of the test specimen in accordance with clause 7;
- the test results in accordance with clause 9;
- any peculiarities in the method employed or encountered during the test;
- the date of the test(s).