

**SLOVENSKI STANDARD**  
**SIST EN 61754-13:2001****01-februar-2001**

---

**Fibre optic connector interfaces - Part 13: Type FC-PC connector family (IEC 61754-13:1999)**

Fibre optic connector interfaces -- Part 13: Type FC-PC connector family (IEC 61754-13:1999)

Steckgesichter von Lichtwellenleiter-Steckverbindern -- Teil 13: Bauart FC-PC Steckverbinderfamilie

**iTeh STANDARD PREVIEW**  
**(standards.iteh.ai)**

Interfaces de connecteurs pour fibres optiques -- Partie 13: Famille de connecteurs de type FC-PC

[SIST EN 61754-13:2001](https://standards.iteh.ai/catalog/standards/sist/379bdb17-5e8f-48ac-ab27-3dc843820af1/sist-en-61754-13-2001)[https://standards.iteh.ai/catalog/standards/sist/379bdb17-5e8f-48ac-ab27-](https://standards.iteh.ai/catalog/standards/sist/379bdb17-5e8f-48ac-ab27-3dc843820af1/sist-en-61754-13-2001)[3dc843820af1/sist-en-61754-13-2001](https://standards.iteh.ai/catalog/standards/sist/379bdb17-5e8f-48ac-ab27-3dc843820af1/sist-en-61754-13-2001)**Ta slovenski standard je istoveten z: EN 61754-13:1999****ICS:**33.180.20 Ú[ ç^: [ çæ) ^Á æ |æ^Á æ Fibre optic interconnecting devices  
[ ] cã } æç|æ } æ**SIST EN 61754-13:2001****en**

**iTeh STANDARD PREVIEW**  
**(standards.iteh.ai)**

SIST EN 61754-13:2001

<https://standards.iteh.ai/catalog/standards/sist/379bdb17-5e8f-48ac-ab27-3dc843820af1/sist-en-61754-13-2001>

EUROPEAN STANDARD  
NORME EUROPÉENNE  
EUROPÄISCHE NORM

**EN 61754-13**

August 1999

ICS 33.180.20

Supersedes CECC 86 115 802:1997

English version

**Fibre optic connector interfaces**  
**Part 13: Type FC-PC connector family**  
(IEC 61754-13:1999)

Interfaces de connecteurs pour  
fibres optiques  
Partie 13: Famille de connecteurs  
de type FC-PC  
(CEI 61754-13:1999)

Steckgesichter von  
Lichtwellenleiter-Steckverbindern  
Teil 13: Bauart FC-PC  
Steckverbinderfamilie  
(IEC 61754-13:1999)

**iteh STANDARD PREVIEW**  
**(standards.iteh.ai)**

SIST EN 61754-13:2001

<https://standards.iteh.ai/catalog/standards/sist/379bdb17-5e8f-48ac-ab27-3dc843820af1/sist-en-61754-13-2001>

This European Standard was approved by CENELEC on 1999-08-01. CENELEC members are bound to comply with the CEN/CENELEC Internal Regulations which stipulate the conditions for giving this European Standard the status of a national standard without any alteration.

Up-to-date lists and bibliographical references concerning such national standards may be obtained on application to the Central Secretariat or to any CENELEC member.

This European Standard exists in three official versions (English, French, German). A version in any other language made by translation under the responsibility of a CENELEC member into its own language and notified to the Central Secretariat has the same status as the official versions.

CENELEC members are the national electrotechnical committees of Austria, Belgium, Czech Republic, Denmark, Finland, France, Germany, Greece, Iceland, Ireland, Italy, Luxembourg, Netherlands, Norway, Portugal, Spain, Sweden, Switzerland and United Kingdom.

**CENELEC**

European Committee for Electrotechnical Standardization  
Comité Européen de Normalisation Electrotechnique  
Europäisches Komitee für Elektrotechnische Normung

**Central Secretariat: rue de Stassart 35, B - 1050 Brussels**

### Foreword

The text of document 86B/1163/FDIS, future edition 1 of IEC 61754-13, prepared by SC 86B, Fibre optic interconnecting devices and passive components, of IEC TC 86, Fibre optics, was submitted to the IEC-CENELEC parallel vote and was approved by CENELEC as EN 61754-13 on 1999-08-01.

This European Standard supersedes CECC 86 115-802:1997.

The following dates were fixed:

- latest date by which the EN has to be implemented  
at national level by publication of an identical  
national standard or by endorsement (dop) 2000-05-01
- latest date by which the national standards conflicting  
with the EN have to be withdrawn (dow) 2002-08-01

---

### Endorsement notice

The text of the International Standard IEC 61754-13:1999 was approved by CENELEC as a European Standard without any modification.

**iTeh STANDARD PREVIEW**  
**(standards.iteh.ai)**

[SIST EN 61754-13:2001](https://standards.iteh.ai/catalog/standards/sist/379bdb17-5e8f-48ac-ab27-3dc843820af1/sist-en-61754-13-2001)

<https://standards.iteh.ai/catalog/standards/sist/379bdb17-5e8f-48ac-ab27-3dc843820af1/sist-en-61754-13-2001>

NORME  
INTERNATIONALE  
INTERNATIONAL  
STANDARD

CEI  
IEC

61754-13

Première édition  
First edition  
1999-03

---



---

Interfaces de connecteurs pour fibres optiques –

Partie 13:  
Famille de connecteurs de type FC-PC

iTeh STANDARD PREVIEW

(standards.iteh.ai)  
Fibre optic connector interfaces –

Part 13: [SIST EN 61754-13:2001](https://standards.iteh.ai/catalog/standards/sist/379bdb17-5e8f-48ac-ab27-3d0c45620a13/sist-en-61754-13-2001)  
<https://standards.iteh.ai/catalog/standards/sist/379bdb17-5e8f-48ac-ab27-3d0c45620a13/sist-en-61754-13-2001>  
Type FC-PC connector family

© IEC 1999 Droits de reproduction réservés — Copyright - all rights reserved

Aucune partie de cette publication ne peut être reproduite ni utilisée sous quelque forme que ce soit et par aucun procédé, électronique ou mécanique, y compris la photo-copie et les microfilms, sans l'accord écrit de l'éditeur.

No part of this publication may be reproduced or utilized in any form or by any means, electronic or mechanical, including photocopying and microfilm, without permission in writing from the publisher.

International Electrotechnical Commission  
Telefax: +41 22 919 0300

e-mail: [inmail@iec.ch](mailto:inmail@iec.ch)

3, rue de Varembeé Geneva, Switzerland  
IEC web site <http://www.iec.ch>



Commission Electrotechnique Internationale  
International Electrotechnical Commission  
Международная Электротехническая Комиссия

CODE PRIX  
PRICE CODE

N

Pour prix, voir catalogue en vigueur  
For price, see current catalogue

## CONTENTS

	Page
FOREWORD .....	5
Clause	
1 Scope .....	7
2 Description .....	7
3 Interfaces .....	7
Figures	
1 Plug connector interface .....	9
2 Plug connector interface – Expanded view A .....	11
3 Adaptor connector interface .....	15
4 Adaptor connector interface – Alignment sleeve .....	17
5 Pin gauge for adaptor .....	21
6 Active device receptacle interface .....	23
7 Pin gauge for active device receptacle .....	27
Tables	
1a Dimensions of the plug connector interface for figures 1 and 2 .....	13
1b Plug connector interface – Ferrule grade .....	13
2a Dimensions of the adaptor connector interface for figures 3 and 4 .....	19
2b Adaptor connector interface – Alignment sleeve grade (see figures 3 and 4) .....	19
3 Pin gauge grade .....	21
4a Dimensions of the active device receptacle interface for figure 6 .....	25
4b Active device receptacle interface – Alignment sleeve grade (see figure 6) .....	25
5 Pin gauge grade .....	27

ITU STANDARD PREVIEW  
 (standards.iteh.ai)

## INTERNATIONAL ELECTROTECHNICAL COMMISSION

## FIBRE OPTIC CONNECTOR INTERFACES –

## Part 13: Type FC-PC connector family

## FOREWORD

- 1) The IEC (International Electrotechnical Commission) is a worldwide organization for standardization comprising all national electrotechnical committees (IEC National Committees). The object of the IEC is to promote international co-operation on all questions concerning standardization in the electrical and electronic fields. To this end and in addition to other activities, the IEC publishes International Standards. Their preparation is entrusted to technical committees; any IEC National Committee interested in the subject dealt with may participate in this preparatory work. International, governmental and non-governmental organizations liaising with the IEC also participate in this preparation. The IEC collaborates closely with the International Organization for Standardization (ISO) in accordance with conditions determined by agreement between the two organizations.
- 2) The formal decisions or agreements of the IEC on technical matters express, as nearly as possible, an international consensus of opinion on the relevant subjects since each technical committee has representation from all interested National Committees.
- 3) The documents produced have the form of recommendations for international use and are published in the form of standards, technical reports or guides and they are accepted by the National Committees in that sense.
- 4) In order to promote international unification, IEC National Committees undertake to apply IEC International Standards transparently to the maximum extent possible in their national and regional standards. Any divergence between the IEC Standard and the corresponding national or regional standard shall be clearly indicated in the latter.
- 5) The IEC provides no marking procedure to indicate its approval and cannot be rendered responsible for any equipment declared to be in conformity with one of its standards.
- 6) Attention is drawn to the possibility that some of the elements of this International Standard may be the subject of patent rights. The IEC shall not be held responsible for identifying any or all such patent rights.

International Standard IEC 61754-13 has been prepared by subcommittee 86B: Fibre optic interconnecting devices and passive components, of IEC technical committee 86: Fibre optics.

The text of this standard is based on the following documents:

FDIS	Report on voting
86B/1163/FDIS	86B/1192/RVD

Full information on the voting for the approval of this standard can be found in the report on voting indicated in the above table.

## FIBRE OPTIC CONNECTOR INTERFACES –

### Part 13: Type FC-PC connector family

#### 1 Scope

This part of IEC 61754 defines the standard interface dimensions for the type FC-PC family of connectors.

#### 2 Description

The parent connector for type FC connector family is a single position plug connector set of plug/adaptor configuration which is characterized by a 2,5 mm nominal ferrule diameter. It includes a thread coupling mechanism, which is spring loaded relative to the ferrule in the direction of the optical axis. The plug has a single male key which may be used to orient and limit the relative position between the connector and the component to which it is mated. The optical alignment mechanism of the connectors is of a rigid bore sleeve or a resilient sleeve style.

#### 3 Interfaces

**iTeh STANDARD PREVIEW**  
**(standards.iteh.ai)**

The subsequent pages define the standard interfaces for the type FC connector family. This standard contains the following standard interfaces:

Interface 13-1: Plug connector interface

Interface 13-2: Adaptor connector interface

Interface 13-3: Active device receptacle interface

The plug of interface 13-1 has a ferrule with a spherically polished ferrule endface, and realizes physical contact (PC).

The following connectors are intermateable

Interface 13-1 mates with IEC interface 13-2 and interface 13-3.



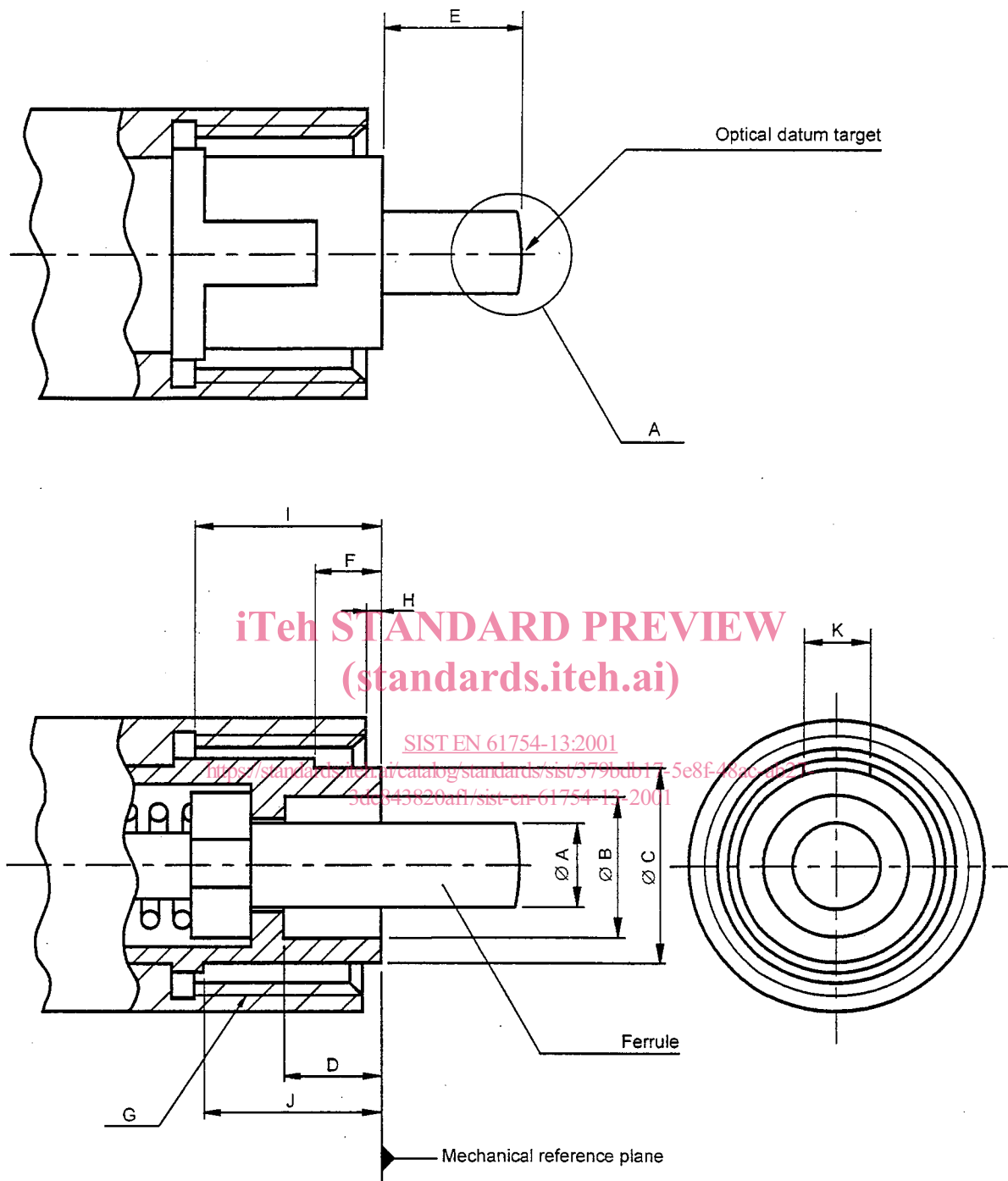


Figure 1 – Plug connector interface