



Designation: F 367 – 81 (Reapproved 1991)

Standard Specification for Holes and Slots for Inch Cortical Bone Screws¹

This standard is issued under the fixed designation F 367; the number immediately following the designation indicates the year of original adoption or, in the case of revision, the year of last revision. A number in parentheses indicates the year of last reapproval. A superscript epsilon (ϵ) indicates an editorial change since the last revision or reapproval.

1. Scope

1.1 This specification covers the basic dimensions of screw holes and slots in surgical implants with regard to cortical bone screws in accordance with Table 1 of Specification F 543.

1.2 The values stated in inch-pound units are to be regarded as the standard. SI units are given in parentheses and

are provided for information purposes only.

2. Referenced Document

2.1 *ASTM Standard:*
F 543 Specification for Cortical Bone Screws²

3. Dimensions

3.1 Screw holes and screw slots shall be in accordance with the dimensions listed in Table 1 and illustrated in Fig. 1.

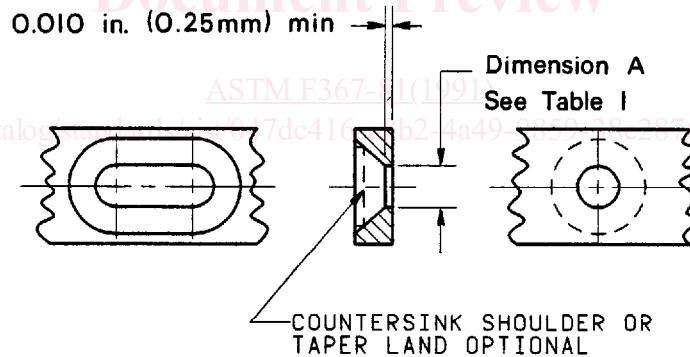
¹ This specification is under the jurisdiction of ASTM Committee F-4 on Medical and Surgical Materials and Devices and is the direct responsibility of Subcommittee F04.03 on Orthopedics.

Current edition approved Dec. 28, 1981. Published March 1982.

² *Annual Book of ASTM Standards*, Vol 13.01.

TABLE 1 Dimensions for Hole Diameters and Slot Widths

Screw Size	Dimension A, Hole Diameter or Slot Width, in. (mm)
Class A, No. 4M	0.118/0.122 (3.0/3.1)
Class B, No. 6M	0.147/0.152 (3.7/3.9)
Class C, No. 6.5M	0.150/0.156 (3.8/4.0)
Class D, No. 7M	0.160/0.166 (4.1/4.2)
Class E, No. 8M	0.166/0.176 (4.3/4.5)



NOTE—For dimension A, see Table 1

FIG. 1 Dimensions for Screw Holes and Screw Slots