

# INTERNATIONAL STANDARD

**ISO  
6695**

First edition  
1991-03-01

---

---

## Cycles — Pedal axle and crank assembly with square end fitting — Assembly dimensions

**iTeh STANDARD PREVIEW**  
*Cycles — Axe de pédalier et manivelle à emmanchement carré —  
Dimensions d'assemblage*  
**(standards.iteh.ai)**

ISO 6695:1991

<https://standards.iteh.ai/catalog/standards/sist/e404a137-8c8c-414a-9a1d-17acc873a189/iso-6695-1991>

INTERNATIONAL

ISO



Reference number  
ISO 6695:1991(E)

## Foreword

ISO (the International Organization for Standardization) is a worldwide federation of national standards bodies (ISO member bodies). The work of preparing International Standards is normally carried out through ISO technical committees. Each member body interested in a subject for which a technical committee has been established has the right to be represented on that committee. International organizations, governmental and non-governmental, in liaison with ISO, also take part in the work. ISO collaborates closely with the International Electrotechnical Commission (IEC) on all matters of electrotechnical standardization.

Draft International Standards adopted by the technical committees are circulated to the member bodies for voting. Publication as an International Standard requires approval by at least 75% of the member bodies casting a vote.

International Standard ISO 6695 was prepared by Technical Committee ISO/TC 149, *Cycles*.

[ISO 6695:1991](#)

<https://standards.iteh.ai/catalog/standards/sist/e404a137-8c8c-414a-9a1d-17acc873a189/iso-6695-1991>

© ISO 1991

All rights reserved. No part of this publication may be reproduced or utilized in any form or by any means, electronic or mechanical, including photocopying and microfilm, without permission in writing from the publisher.

International Organization for Standardization  
Case Postale 56 • CH-1211 Genève 20 • Switzerland

Printed in Switzerland

# Cycles — Pedal axle and crank assembly with square end fitting — Assembly dimensions

## 1 Scope

This International Standard specifies the dimensions for the assembly of cranks on bottom bracket pedal axles with square end fittings.

## 2 Dimensions

Dimensions for the assembly of cranks on bottom bracket pedal axles with square end fittings shall be as given in figure 1 and table 1.

**iTeh STANDARD PREVIEW**  
**(standards.iteh.ai)**

[ISO 6695:1991](#)

<https://standards.iteh.ai/catalog/standards/sist/e404a137-8c8c-414a-9a1d-17acc873a189/iso-6695-1991>

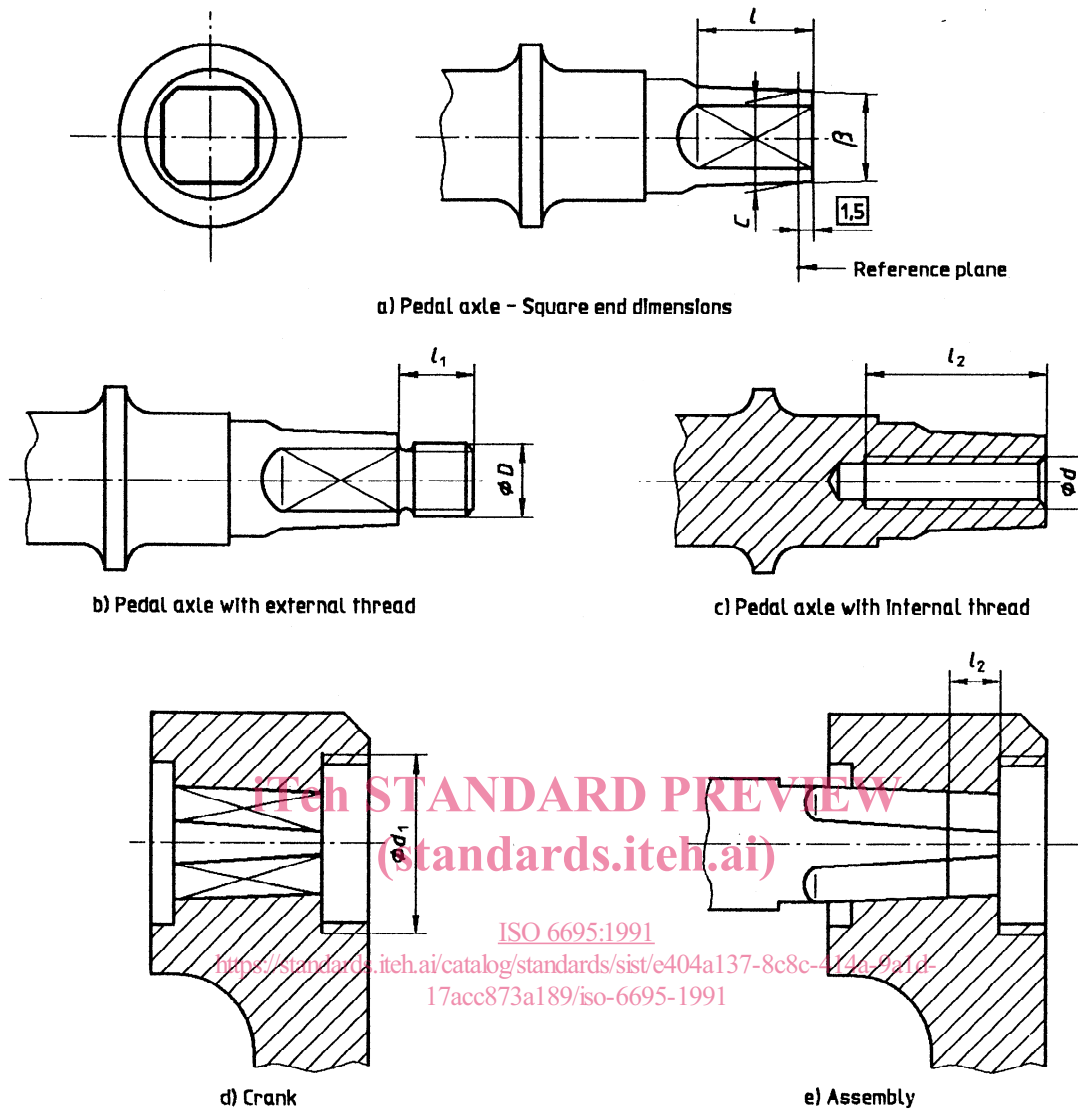


Figure 1

Table 1

Axle							Crank		Assembly	
<i>l</i>		$\beta$	<i>c</i>	<i>D</i>	<i>l</i> <sub>1</sub>	<i>d</i>	<i>l</i> <sub>2</sub>	<i>d</i> <sub>1</sub>	<i>l</i> <sub>2</sub> <sup>1)</sup>	
Right side	Left side									
18 min.	16 min.	4° ± 0° 10'	12,6 <sup>+0.02</sup> <sub>-0.05</sub>	M10 × 1,25 — 6H/6g	10 <sup>0</sup> <sub>-0.5</sub>	M8 × 1 — 6H/6g	22 min.	M22 × 1 — 6H/6g	1,5 min.	

1) After tightening once to the manufacturer's recommended tightening torque.

UDC 629.118.3.012.1

Descriptors: road vehicles, bicycles, cycle crank-gears, axle assemblies, dimensions.

Price based on 2 pages