

INTERNATIONAL
STANDARD

ISO
6697

First edition
1994-11-15

**Cycles — Hubs and freewheels —
Assembly dimensions**

iTeh STANDARD PREVIEW
Cycles — Moyeux et roues libres — Dimensions d'assemblage
(standards.iteh.ai)

[ISO 6697:1994](https://standards.iteh.ai/catalog/standards/sist/da3d42f8-7ce4-4eae-a796-ecf4a1423497/iso-6697-1994)

<https://standards.iteh.ai/catalog/standards/sist/da3d42f8-7ce4-4eae-a796-ecf4a1423497/iso-6697-1994>



Reference number
ISO 6697:1994(E)

Foreword

ISO (the International Organization for Standardization) is a worldwide federation of national standards bodies (ISO member bodies). The work of preparing International Standards is normally carried out through ISO technical committees. Each member body interested in a subject for which a technical committee has been established has the right to be represented on that committee. International organizations, governmental and non-governmental, in liaison with ISO, also take part in the work. ISO collaborates closely with the International Electrotechnical Commission (IEC) on all matters of electrotechnical standardization.

Draft International Standards adopted by the technical committees are circulated to the member bodies for voting. Publication as an International Standard requires approval by at least 75 % of the member bodies casting a vote.

International Standard ISO 6697 was prepared by Technical Committee ISO/TC 149, *Cycles*, Subcommittee SC 2, *Sub-assemblies and components*.

<https://standards.iteh.ai/catalog/standards/sist/da3d42f8-7ce4-4eae-a796-cc4a1423497/iso-6697-1994>

Annex A of this International Standard is for information only.

© ISO 1994

All rights reserved. Unless otherwise specified, no part of this publication may be reproduced or utilized in any form or by any means, electronic or mechanical, including photocopying and microfilm, without permission in writing from the publisher.

International Organization for Standardization
Case Postale 56 • CH-1211 Genève 20 • Switzerland

Printed in Switzerland

Cycles — Hubs and freewheels — Assembly dimensions

1 Scope

This International Standard specifies the main dimensions for hubs and freewheels, including single-speed coaster brake hubs and multispeed gear hubs, to ensure assembly and interchangeability.

2 Normative references

The following standards contain provisions which, through reference in this text, constitute provisions of this International Standard. At the time of publication, the editions indicated were valid. All standards are subject to revision, and parties to agreements based on this International Standard are encouraged to investigate the possibility of applying the most recent editions of the standards indicated below. Members of IEC and ISO maintain registers of currently valid International Standards.

ISO 6698:1989, *Cycles — Screw threads used to assemble freewheels on bicycle hubs*.

ISO 8090:1990, *Cycles — Terminology*.

ISO 9633:1992, *Cycle chains — Characteristics and test methods*.

3 Dimensions

NOTE 1 The figures are given as an indication only, and do not imply any design requirements.

3.1 Front hub

Front hub dimensions are shown in figure 1 and given in table 1.

3.2 Rear hub

Rear hub dimensions are shown in figure 2 and given in table 2.

3.3 Freewheels

Freewheel dimensions are shown in figure 3 and given in table 3.

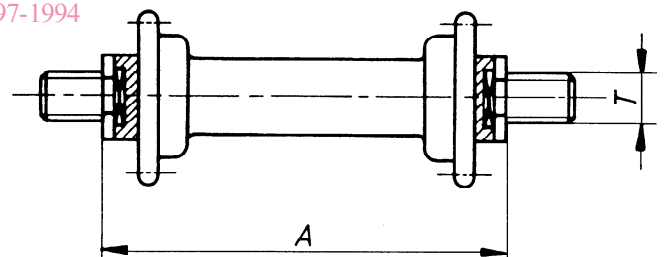


Figure 1

Table 1 — Front hub dimensions

Dimensions in millimetres

| Width A ± 1 | Axle thread T |
|-------------------------|--------------------|
| 100 | M8 × 1 or |
| 91 | M9 × 1 |

Dimensions in millimetres

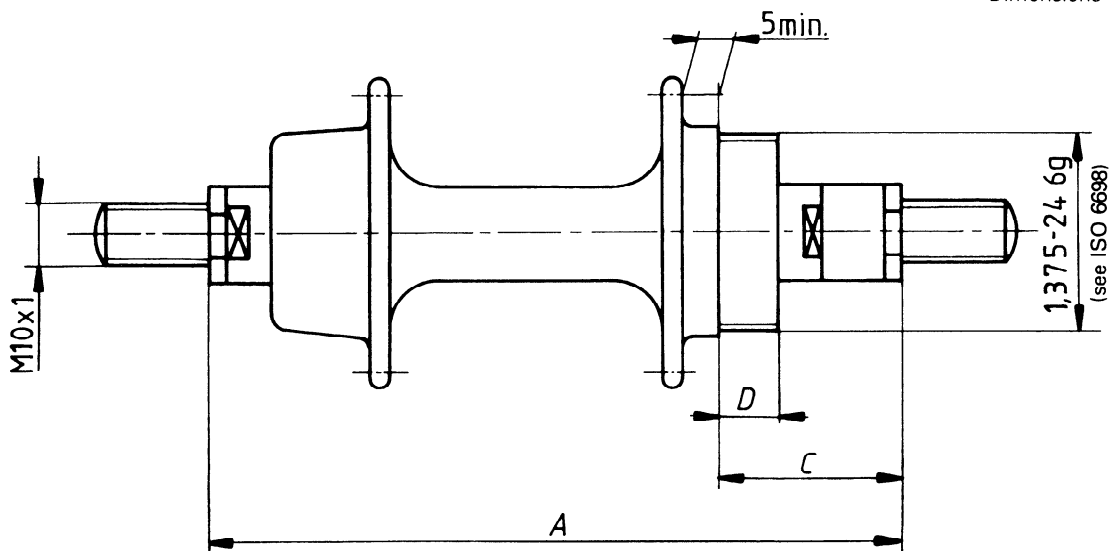


Figure 2

Table 2 — Rear hub dimensions

iTeh STANDARD PREVIEW

Dimensions in millimetres

| A | C | D | Application | ISO chain number ¹⁾ | Rear sprocket chain line distance ²⁾ b ³⁾ | |
|-----|----------------------------|---------|--|--------------------------------|--|-------------------------------|
| | | | | | Wheel with spoke protector | Wheel without spoke protector |
| ± 1 | ⁺¹ ₀ | max. | | | | |
| 110 | 21 — | 10 — | Single speed freewheel Single speed coaster brake hub ⁴⁾⁵⁾ | 081 C 082 C | — — | 41 41 |
| 117 | 28 | 10 | 3 speed freewheel | 081 C or 082 C | 42 | 41 |
| | 28 | 10 | 4 speed freewheel | 082 C | 42 | 41 |
| | — | — | Single speed coaster brake hub ⁴⁾⁵⁾ | 081 C | — | 41 |
| | — | — | Multispeed gear hub ⁴⁾ | 081 C | 42 | 41 |
| 122 | 33 | 10 | 4 speed freewheel | 082 C | 40 | 38,5 |
| | | | 5 speed freewheel | 082 C | 42 | 41 |
| | | | Multispeed gear hub ⁴⁾ | 081 C | — | 41 |
| 126 | 36 | 10 | 5 speed freewheel | 082 C | 41 | 40 |
| | | | 6 speed freewheel | 082 C | 43 | 42 |

1) Chain number according to ISO 9633. These designations correspond to the following inch designations:

- No. 081 C: 1/2 × 1/8
- No. 082 C: 1/2 × 3/32

2) Rear chain line values are approximate, but may be calculated from the formula

$$\frac{A}{2} - C + M - \frac{S}{2}$$

taking into account the exact dimensions *M* and *S* of the freewheel (see table 3).

3) See ISO 8090:1990, clause 11.

4) Tolerance for *A* : ± 1,5

5) For single speed coaster brake hubs, the preferred value for dimension *A* is 117 mm.

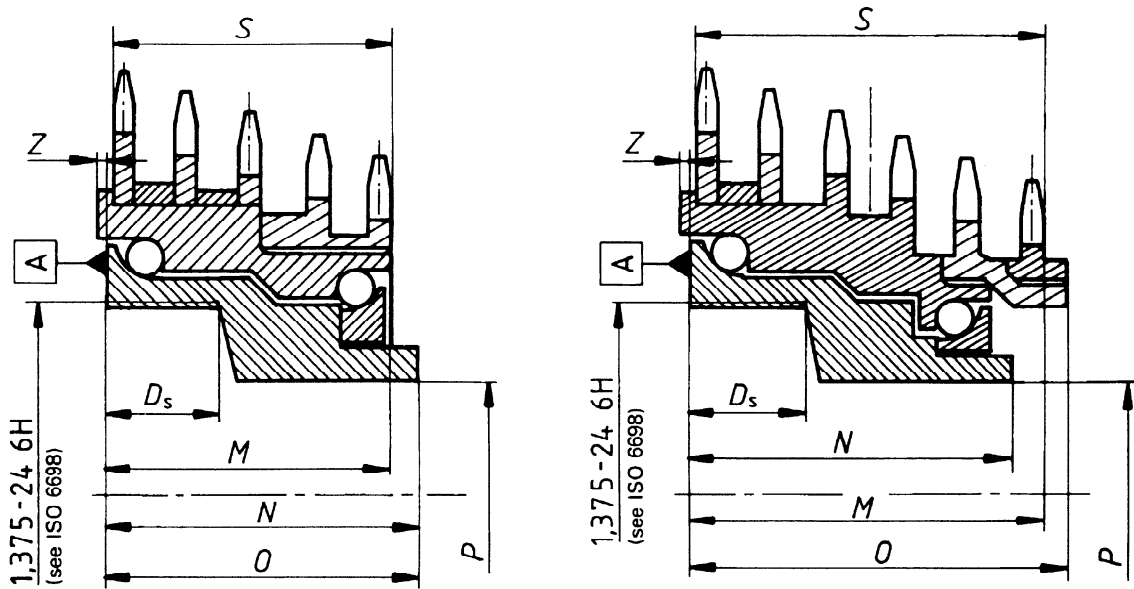


Figure 3

iTeh STANDARD PREVIEW
(standards.iteh.ai)

ISO 6697:1994
Table 3 — Freewheel dimensions
<https://standards.iteh.ai/catalog/standards/sist/da3d4218-7ce4-4eac-a796-ccf1a1423497/iso-6697-1994>

Dimensions in millimetres

| Number of sprockets | Wheel for use with chain number ¹⁾ | D_s | M | N 2) | O 3) | P | Z | S |
|---------------------|---|-------|------|--------|--------|------|------|------|
| | | min. | max. | max. | max. | min. | max. | max. |
| 1 | 081 C | 10,2 | — | 18 | 18 | 20 | 2 | — |
| 3 | 081 C or 082 C | | 21 | 24 | 24 | | | 18 |
| 4 | 082 C | | 21 | 27 | 27 | | | 20 |
| 5 | 082 C | | 27 | 30 | 30 | | | 25 |
| 6 | 082 C | | 33 | 33 | 33 | | | 31 |

1) Chain number according to ISO 9633. These designations correspond to the following inch designations:

- No. 081 C: 1/2 × 1/8
- No. 082 C: 1/2 × 3/32

2) Overall width of inner body.

3) Overall width from reference face A to the extreme outside face of the freewheel assembly. It may be equal to N , or equal to or greater than M (see figure 3).

Annex A
(informative)

Bibliography

- [1] ISO 261:1973, *ISO general purpose metric screw threads — General plan.*
- [2] ISO 4210:1989, *Cycles — Safety requirements of bicycles.*

iTeh STANDARD PREVIEW
(standards.iteh.ai)

[ISO 6697:1994](https://standards.iteh.ai/catalog/standards/sist/da3d42f8-7ce4-4eae-a796-ecf4a1423497/iso-6697-1994)

<https://standards.iteh.ai/catalog/standards/sist/da3d42f8-7ce4-4eae-a796-ecf4a1423497/iso-6697-1994>

iTeh STANDARD PREVIEW
This page intentionally left blank
(standards.iteh.ai)

[ISO 6697:1994](#)

<https://standards.iteh.ai/catalog/standards/sist/da3d42f8-7ce4-4eae-a796-ecf4a1423497/iso-6697-1994>

iTeh STANDARD PREVIEW (standards.iteh.ai)

ISO 6697:1994

<https://standards.iteh.ai/catalog/standards/sist/da3d42f8-7ce4-4eae-a796-ecf4a1423497/iso-6697-1994>

ICS 43.140.00

Descriptors: road vehicles, bicycles, free wheels, hubs, rear hubs, front hubs, dimensions.

Price based on 4 pages
