



SLOVENSKI STANDARD

SIST EN 14849:2006

01-februar-2006

Embalaza za aerosole - Steklene posode – Mere za kovinska tesnila aerosolnih ventilov

Aerosol containers - Glass containers - Dimensions of aerosol valve ferrules

Aerosolverpackungen - Glasbehälter - Maße von Ventilträgern

Réipients pour aérosols - Réipients en verre - Dimensions des bagues de valves pour aérosols

[SIST EN 14849:2006](#)

<https://standards.iteh.ai/catalog/standards/sist/915fef64-5eb0-424a-8ba5-140eedce8ce5/sist-en-14849-2006>

Ta slovenski standard je istoveten z: **EN 14849:2005**

ICS:

55.130 Ú[^çã \ ^Á aáe! [• [| ^ Aerosol containers

SIST EN 14849:2006

en,fr,de

iTeh STANDARD PREVIEW
(standards.iteh.ai)

SIST EN 14849:2006

<https://standards.iteh.ai/catalog/standards/sist/915fef64-5eb0-424a-8ba5-140eedce8ce5/sist-en-14849-2006>

ICS 55.130

English Version

Aerosol containers - Glass containers - Dimensions of aerosol
valve ferrulesRécipients pour aérosols - Récipients en verre -
Dimensions des bagues de valves pour aérosolsAerosolverpackungen - Glasbehälter - Maße von
Ventilträgern

This European Standard was approved by CEN on 14 October 2005.

CEN members are bound to comply with the CEN/CENELEC Internal Regulations which stipulate the conditions for giving this European Standard the status of a national standard without any alteration. Up-to-date lists and bibliographical references concerning such national standards may be obtained on application to the Central Secretariat or to any CEN member.

This European Standard exists in three official versions (English, French, German). A version in any other language made by translation under the responsibility of a CEN member into its own language and notified to the Central Secretariat has the same status as the official versions.

CEN members are the national standards bodies of Austria, Belgium, Cyprus, Czech Republic, Denmark, Estonia, Finland, France, Germany, Greece, Hungary, Iceland, Ireland, Italy, Latvia, Lithuania, Luxembourg, Malta, Netherlands, Norway, Poland, Portugal, Slovakia, Slovenia, Spain, Sweden, Switzerland and United Kingdom.

[SIST EN 14849:2006](https://standards.iteh.ai/catalog/standards/sist/915fef64-5eb0-424a-8ba5-140eedce8ce5/sist-en-14849-2006)

<https://standards.iteh.ai/catalog/standards/sist/915fef64-5eb0-424a-8ba5-140eedce8ce5/sist-en-14849-2006>

EUROPEAN COMMITTEE FOR STANDARDIZATION
COMITÉ EUROPÉEN DE NORMALISATION
EUROPÄISCHES KOMITEE FÜR NORMUNG

Management Centre: rue de Stassart, 36 B-1050 Brussels

Contents	Page
Foreword	3
1 Scope	4
2 Normative references	4
3 Dimensions of aerosol valve ferrules	4
Bibliography	6

iTeh STANDARD PREVIEW
(standards.iteh.ai)

[SIST EN 14849:2006](#)

<https://standards.iteh.ai/catalog/standards/sist/915fef64-5eb0-424a-8ba5-140eedce8ce5/sist-en-14849-2006>

Foreword

This document (EN 14849:2005) has been prepared by Technical Committee CEN/TC 261 "Packaging", the secretariat of which is held by AFNOR.

This European Standard shall be given the status of a national standard, either by publication of an identical text or by endorsement, at the latest by May 2006, and conflicting national standards shall be withdrawn at the latest by May 2006.

This draft European Standard is one of a series of thirteen related standards with the following titles:

EN 14847, *Aerosol containers — Tinplate containers — Dimensions of the 25,4 mm aperture.*

EN 14848, *Aerosol containers — Metal containers with 25,4 mm aperture — Dimensions of valve cups.*

EN 14849, *Aerosol containers — Glass containers — Dimensions of aerosol valve ferrules.*

EN 14850, *Aerosol containers — Metal containers with 25,4 mm aperture — Measurement of contact height.*

EN 14851, *Aerosol containers — Aerosol foam flammability test.*

EN 14852, *Aerosol containers — Determination of the ignition distance of the spray jet.*

EN 14853, *Aerosol containers — Enclosed space ignition test.*

EN 14854, *Aerosol containers — Glass containers — Dimensions of the neck finish.*

prEN 15006, *Metal aerosol containers — Aluminium containers — Dimensions of the 25,4 mm (one inch) aperture.*

prEN 15007, *Metal aerosol containers — Tinplate containers — Dimensions of three-piece cans.*

prEN 15008, *Metal aerosol containers — Dimensions of 1-piece aluminium can with 25,4 mm aperture.*

prEN 15009, *Aerosol containers — Bicompartmented aerosol containers.*

prEN 15010, *Aerosol containers — Aluminium containers — Tolerances of the fundamental dimensions in connection with the clinch.*

According to the CEN/CENELEC Internal Regulations, the national standards organizations of the following countries are bound to implement this European Standard: Austria, Belgium, Cyprus, Czech Republic, Denmark, Estonia, Finland, France, Germany, Greece, Hungary, Iceland, Ireland, Italy, Latvia, Lithuania, Luxembourg, Malta, Netherlands, Norway, Poland, Portugal, Slovakia, Slovenia, Spain, Sweden, Switzerland and United Kingdom.

EN 14849:2005 (E)

1 Scope

This European Standard defines the dimensions which are important for an effective fastening of valves on glass aerosol containers with a nominal diameter of 11 mm, 13 mm, 15 mm, 17 mm, 18 mm and 20 mm neck finish, as defined in EN 14854 .

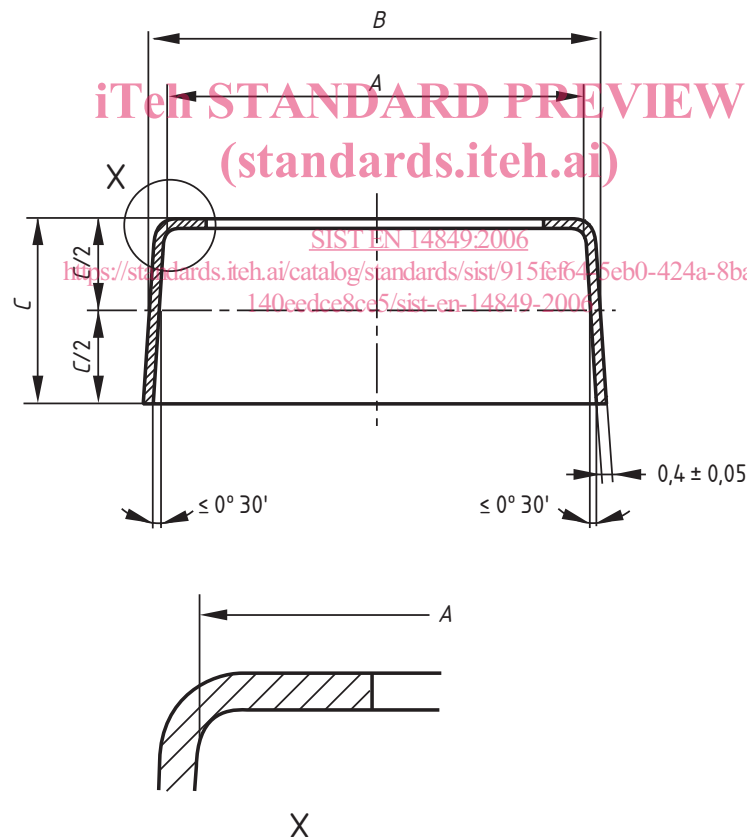
2 Normative references

Not applicable.

3 Dimensions of aerosol valve ferrules

The dimensions of aerosol valve ferrules shall conform to Figure 1 and Table 1.

Dimensions in millimetres



NOTE A is measured at base of radius.

Figure 1 — Dimensions of aerosol ferrules

Table 1 — Dimensions of aerosol ferrules

Dimensions in millimetres

Nominal diameter of the neck finish	Internal diameter <i>A</i> minimum	External diameter <i>B</i>	<i>C</i>	
			minimum	maximum
11	11,05	12,0 ± 0,1	4,7	7,1
13	13,35	14,3 ± 0,1	4,7	7,1
15	15,35	16,3 ± 0,1	5,5	7,9
17	16,9	17,9 ± 0,1	5,9	8,3
18	18,6	19,6 ± 0,1	5,5	8,3
20	20,1	21,1 ± 0,1	5,6	9,0

iTeh STANDARD PREVIEW (standards.iteh.ai)

[SIST EN 14849:2006](https://standards.iteh.ai/catalog/standards/sist/915fef64-5eb0-424a-8ba5-140eedce8ce5/sist-en-14849-2006)

<https://standards.iteh.ai/catalog/standards/sist/915fef64-5eb0-424a-8ba5-140eedce8ce5/sist-en-14849-2006>

Bibliography

- [1] EN 14854, *Aerosol containers — Glass containers — Dimensions of the neck finish.*

iTeh STANDARD PREVIEW
(standards.iteh.ai)

[SIST EN 14849:2006](https://standards.iteh.ai/catalog/standards/sist/915fef64-5eb0-424a-8ba5-140eedce8ce5/sist-en-14849-2006)

<https://standards.iteh.ai/catalog/standards/sist/915fef64-5eb0-424a-8ba5-140eedce8ce5/sist-en-14849-2006>