



SLOVENSKI STANDARD

SIST EN 14850:2006

01-februar-2006

Embalaza za aerosole – Kovinske posode s 25,4-milimetrsko odprtino – Merjenje kontaktne višine

Aerosol containers - Metal containers with 25,4 mm aperture - Measurement of contact height

Aerosolverpackungen - Metallbehälter mit einer Öffnung von 25,4 mm - Messung der Kontakthöhe

Réipients pour aérosols - Réipients métalliques avec ouverture de 25,4mm - Mesurage de la hauteur de contact

Ta slovenski standard je istoveten z: **EN 14850:2005**

ICS:

55.130 Ú[^çã \^Á æe!|[•|[^ Aerosol containers

SIST EN 14850:2006

en,fr,de

iTeh STANDARD PREVIEW
(standards.iteh.ai)

SIST EN 14850:2006

<https://standards.iteh.ai/catalog/standards/sist/b858152b-86b7-4601-9b4d-ee5a5ddb8415/sist-en-14850-2006>

EUROPEAN STANDARD

EN 14850

NORME EUROPÉENNE

EUROPÄISCHE NORM

November 2005

ICS 55.130

English Version

**Aerosol containers - Metal containers with 25,4 mm aperture -
Measurement of contact height**Récipients pour aérosols - Récipients métalliques avec
ouverture de 25,4mm - Mesurage de la hauteur de contactAerosolverpackungen - Metallbehälter mit einer Öffnung
von 25,4 mm - Messung der Kontakthöhe

This European Standard was approved by CEN on 14 October 2005.

CEN members are bound to comply with the CEN/CENELEC Internal Regulations which stipulate the conditions for giving this European Standard the status of a national standard without any alteration. Up-to-date lists and bibliographical references concerning such national standards may be obtained on application to the Central Secretariat or to any CEN member.

This European Standard exists in three official versions (English, French, German). A version in any other language made by translation under the responsibility of a CEN member into its own language and notified to the Central Secretariat has the same status as the official versions.

CEN members are the national standards bodies of Austria, Belgium, Cyprus, Czech Republic, Denmark, Estonia, Finland, France, Germany, Greece, Hungary, Iceland, Ireland, Italy, Latvia, Lithuania, Luxembourg, Malta, Netherlands, Norway, Poland, Portugal, Slovakia, Slovenia, Spain, Sweden, Switzerland and United Kingdom.

SIST EN 14850:2006

<https://standards.iteh.ai/catalog/standards/sist/b858152b-86b7-4601-9b4d-ee5a5ddb8415/sist-en-14850-2006>



EUROPEAN COMMITTEE FOR STANDARDIZATION
COMITÉ EUROPÉEN DE NORMALISATION
EUROPÄISCHES KOMITEE FÜR NORMUNG

Management Centre: rue de Stassart, 36 B-1050 Brussels

Contents		Page
Foreword		3
Introduction		4
1 Scope		5
2 Normative references		5
3 Terms and definitions		5
4 Apparatus		7
5 Procedure		8
6 Test report		9

iTeh STANDARD PREVIEW
(standards.iteh.ai)

[SIST EN 14850:2006](https://standards.iteh.ai/catalog/standards/sist/b858152b-86b7-4601-9b4d-ee5a5ddb8415/sist-en-14850-2006)

<https://standards.iteh.ai/catalog/standards/sist/b858152b-86b7-4601-9b4d-ee5a5ddb8415/sist-en-14850-2006>

Foreword

This document (EN 14850:2005) has been prepared by Technical Committee CEN/TC 261 "Packaging", the secretariat of which is held by AFNOR.

This European Standard shall be given the status of a national standard, either by publication of an identical text or by endorsement, at the latest by May 2006, and conflicting national standards shall be withdrawn at the latest by May 2006.

This draft European Standard is one of a series of thirteen related standards with the following titles:

EN 14847, *Aerosol containers — Tinplate containers — Dimensions of the 25,4 mm aperture.*

EN 14848, *Aerosol containers — Metal containers with 25,4 mm aperture — Dimensions of valve cups.*

EN 14849, *Aerosol containers — Glass containers — Dimensions of aerosol valve ferrules.*

EN 14850, *Aerosol containers — Metal containers with 25,4 mm aperture — Measurement of contact height.*

EN 14851, *Aerosol containers — Aerosol foam flammability test.*

EN 14852, *Aerosol containers — Determination of the ignition distance of the spray jet.*

EN 14853, *Aerosol containers — Enclosed space ignition test.*

EN 14854, *Aerosol containers — Glass containers — Dimensions of the neck finish.*

prEN 15006, *Metal aerosol containers — Aluminium containers — Dimensions of the 25,4 mm (one inch) aperture.*

prEN 15007, *Metal aerosol containers — Tinplate containers — Dimensions of three-piece cans.*

prEN 15008, *Metal aerosol containers — Dimensions of 1-piece aluminium can with 25,4 mm aperture.*

prEN 15009, *Aerosol containers — Bicompartmented aerosol containers.*

prEN 15010, *Aerosol containers — Aluminium containers — Tolerances of the fundamental dimensions in connection with the clinch.*

According to the CEN/CENELEC Internal Regulations, the national standards organizations of the following countries are bound to implement this European Standard: Austria, Belgium, Cyprus, Czech Republic, Denmark, Estonia, Finland, France, Germany, Greece, Hungary, Iceland, Ireland, Italy, Latvia, Lithuania, Luxembourg, Malta, Netherlands, Norway, Poland, Portugal, Slovakia, Slovenia, Spain, Sweden, Switzerland and United Kingdom.

Introduction

The contact height is a measurement used for adjusting the clinching tool (jaws) and is therefore indispensable, but alone is not sufficient, to ensure safe sealing of the container. Its control during the production of aerosol containers helps to ensure safe sealing and uniformity of the product.

iTeh STANDARD PREVIEW (standards.iteh.ai)

[SIST EN 14850:2006](https://standards.iteh.ai/catalog/standards/sist/b858152b-86b7-4601-9b4d-ee5a5ddb8415/sist-en-14850-2006)

<https://standards.iteh.ai/catalog/standards/sist/b858152b-86b7-4601-9b4d-ee5a5ddb8415/sist-en-14850-2006>

1 Scope

This European Standard describes a method of measuring the contact height of the compression closure between the valve cup and the aperture of an aerosol container.

This standard applies to aerosol containers with 25,4 mm apertures as specified in EN 14847 and prEN 15006 fitted with aerosol valve cups as specified in EN 14848.

2 Normative references

The following referenced documents are indispensable for the application of this document. For dated references, only the edition cited applies. For undated references, the latest edition of the referenced document (including any amendments) applies.

EN 14847, *Aerosol containers — Tinplate containers — Dimensions of the 25,4 mm (one inch) aperture.*

EN 14848, *Aerosol containers — Metal containers with 25,4 mm aperture — Dimensions of valve cups.*

prEN 15006, *Metal aerosol containers — Aluminium containers — Dimensions of the 25,4 mm (one inch) aperture.*

3 Terms and definitions

For the purposes of this document, the following terms and definitions apply.

3.1

contact height

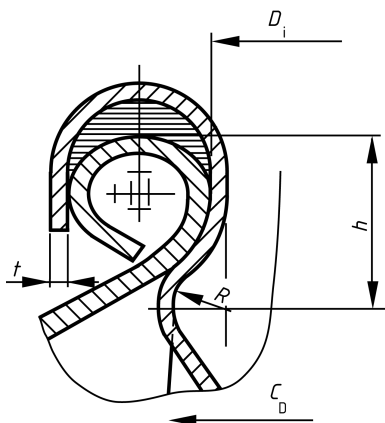
distance between the plane of the top of the lip of the aerosol container's aperture and the centre of the radius of curvature of the extremities of the jaws of the clinching tool when fixing the valve cup

NOTE See Figure 1.

STANDARD PREVIEW
(standards.iteh.ai)

SIST EN 14850:2006

<https://standards.iteh.ai/catalog/standards/sist/b858152b-86b7-4601-9b4d-ee5a5c1db841/sist-en-14850-2006>

**Key**

D_i	Internal diameter of aperture	=	25,4 mm
t	Thickness of the wall of the cup	=	0,3 mm
R	Radius of the jaws	=	1,2 mm
C_D	Diameter of the jaws	=	27,1 mm
h	Contact height		hmm

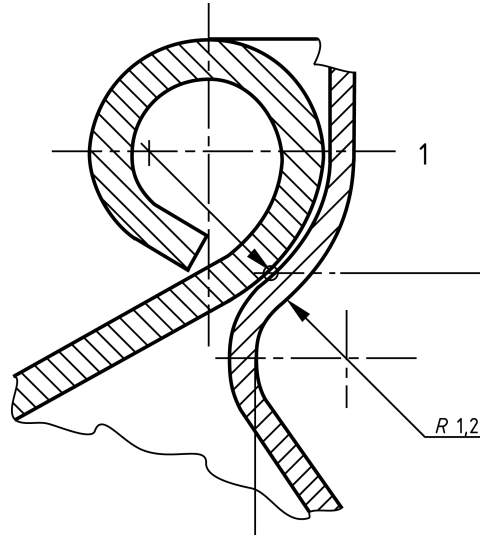
Figure 1 — Contact height symbols
 iTeh STANDARD PREVIEW
 (standards.iteh.ai)

SIST EN 14850:2006

<https://standards.iteh.ai/catalog/standards/sist/b858152b-86b7-4601-9b4d-ee5a5ddb8415/sist-en-14850-2006>

4 Apparatus

4.1 **Measuring instrument**, as shown in Figure 3 and specified in clause 5, that reproduces the clinching conditions of Figure 1.



iTeh STANDARD PREVIEW
(standards.iteh.ai)

Key

- 1 Point of hard contact <https://standards.iteh.ai/catalog/standards/sist/b858152b-86b7-4601-9b4d-ee5a5ddb8415/sist-en-14850-2006>
- 2 Diameter of the clinching jaws [9b4d-ee5a5ddb8415/sist-en-14850-2006](https://standards.iteh.ai/catalog/standards/sist/b858152b-86b7-4601-9b4d-ee5a5ddb8415/sist-en-14850-2006)

Figure 2 — Diameter of the clinching jaws