

---

9a VUÛjUË9a VUÛjbY`YbcH`È`A YfY`j`b`nU H`j Y`nUj ]gY c`dfcXU`bc`Ya VUÛjc

Packaging - Unit packaging - Dimensions and requirements for pegboard display

Verpackung - Einzelpackung - Maße für und Anforderungen an die Präsentation auf Lochwänden

Emballages - Emballages unitaires - Dimensions et exigences relatives aux présentoirs à tige

**STANDARD PREVIEW**  
**(standards.iteh.ai)**

Ta slovenski standard je istoveten z: **EN 13010:2003**  
<https://standards.iteh.ai/catalog/standards/sist/cc0a2977-0474-4d79-baea-9dae41927797/sist-en-13010-2003>

**ICS:**

55.020      Pakiranje in distribucija blaga      Packaging and distribution of  
na splošno      goods in general

**SIST EN 13010:2003****en**

**iTeh STANDARD PREVIEW**  
**(standards.iteh.ai)**

[SIST EN 13010:2003](#)

<https://standards.iteh.ai/catalog/standards/sist/ee0a2977-0474-4d79-baac-9dae41927797/sist-en-13010-2003>

EUROPEAN STANDARD

**EN 13010**

NORME EUROPÉENNE

EUROPÄISCHE NORM

January 2003

ICS 55.020

English version

**Packaging - Unit packaging - Dimensions and requirements for  
pegboard display**Emballages - Emballages unitaires - Dimensions et  
exigences relatives aux présentoirs à tigeVerpackung - Einzelpackung - Maße für und Anforderungen  
an die Präsentation auf Lochwänden

This European Standard was approved by CEN on 21 November 2002.

CEN members are bound to comply with the CEN/CENELEC Internal Regulations which stipulate the conditions for giving this European Standard the status of a national standard without any alteration. Up-to-date lists and bibliographical references concerning such national standards may be obtained on application to the Management Centre or to any CEN member.

This European Standard exists in three official versions (English, French, German). A version in any other language made by translation under the responsibility of a CEN member into its own language and notified to the Management Centre has the same status as the official versions.

CEN members are the national standards bodies of Austria, Belgium, Czech Republic, Denmark, Finland, France, Germany, Greece, Hungary, Iceland, Ireland, Italy, Luxembourg, Malta, Netherlands, Norway, Portugal, Slovakia, Spain, Sweden, Switzerland and United Kingdom.

**SIST EN 13010:2003**

<https://standards.iteh.ai/catalog/standards/sist/ee0a2977-0474-4d79-baca-9dae41927797/sist-en-13010-2003>



EUROPEAN COMMITTEE FOR STANDARDIZATION  
COMITÉ EUROPÉEN DE NORMALISATION  
EUROPÄISCHES KOMITEE FÜR NORMUNG

**Management Centre: rue de Stassart, 36 B-1050 Brussels**

## Contents

	page
Foreword.....	3
1 Scope .....	4
2 Dimensions and designation .....	4
2.1 Series 1 .....	4
2.2 Width of the unit packaging.....	4
2.3 Slots for pegboard display.....	5
2.4 Designation.....	6
Bibliography .....	7

## iTeh STANDARD PREVIEW (standards.iteh.ai)

[SIST EN 13010:2003](https://standards.iteh.ai/catalog/standards/sist/ee0a2977-0474-4d79-baca-9dae41927797/sist-en-13010-2003)

<https://standards.iteh.ai/catalog/standards/sist/ee0a2977-0474-4d79-baca-9dae41927797/sist-en-13010-2003>

## Foreword

This document (EN 13010:2003) has been prepared by Technical Committee CEN /TC 261 "Packaging", the secretariat of which is held by AFNOR.

This European Standard shall be given the status of a national standard, either by publication of an identical text or by endorsement, at the latest by July 2003, and conflicting national standards shall be withdrawn at the latest by July 2003.

According to the CEN/CENELEC Internal Regulations, the national standards organizations of the following countries are bound to implement this European Standard: Austria, Belgium, Czech Republic, Denmark, Finland, France, Germany, Greece, Iceland, Ireland, Italy, Luxembourg, Malta, Netherlands, Norway, Portugal, Spain, Sweden, Switzerland and the United Kingdom.

## iTeh STANDARD PREVIEW (standards.iteh.ai)

[SIST EN 13010:2003](https://standards.iteh.ai/catalog/standards/sist/ee0a2977-0474-4d79-baac-9dae41927797/sist-en-13010-2003)

<https://standards.iteh.ai/catalog/standards/sist/ee0a2977-0474-4d79-baac-9dae41927797/sist-en-13010-2003>

## 1 Scope

This standard lays down the requirements and the dimensions of the slot for pegboard display of unit packagings.

## 2 Dimensions and designation

### 2.1 Series 1

The dimensions of the width  $f$  and the length  $e$  shall be in accordance with the dimensions of series 1. The values are expressed in mm.

Table 1 — Permitted dimensions of series 1 unit packaging

14	21	34	40	57	67	91	120	140	185	235	280	380	580
----	----	----	----	----	----	----	-----	-----	-----	-----	-----	-----	-----

### 2.2 Width of the unit packaging

The width of the product, the projection of the width of the product  $b_1$ ,  $b_2$ , the width  $f$  respectively (see figures 1 to 3) constitutes the basis of the width of the unit packaging. For technical reasons, allowance for the packaging method has to be made, the width being increased, if required, by maximum 40 mm for the informative labelling (calculated width), but within the dimensions given in Series 1.

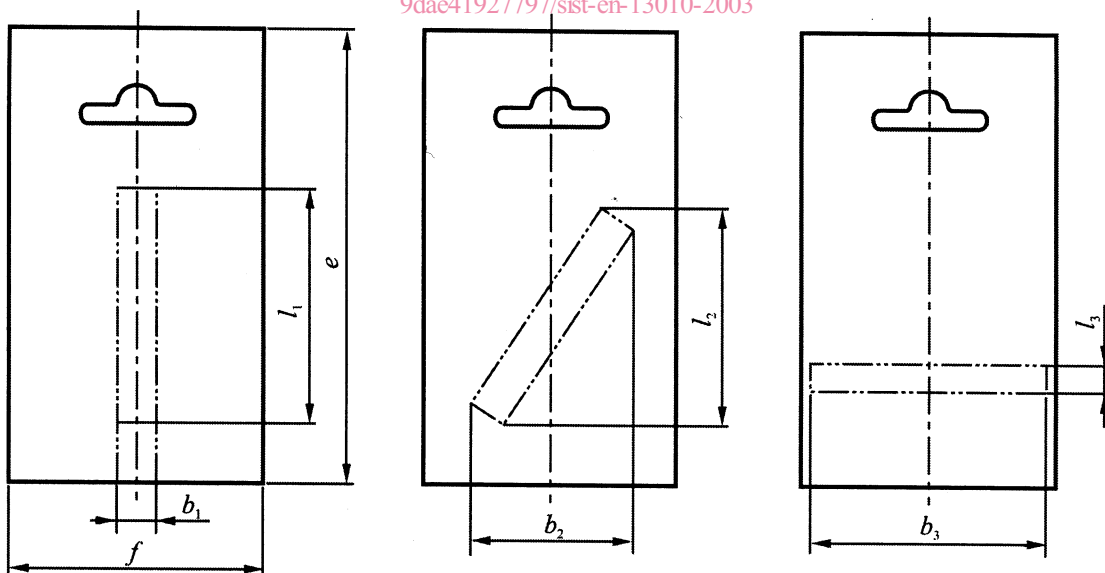


Figure 1 — Width of the product

Figure 2 — Projection of the width of the product

Figure 3 — Width of the product

### 2.3 Slots for pegboard display

The punched slot allows the unit packaging to be attached, on a hook, to a wall-hung pegboard display unit.

The following types of slots are used, depending on the width on the product (see figures 4 and 5). Care should be taken to ensure that the slot is disposed so that the packaging is vertical.

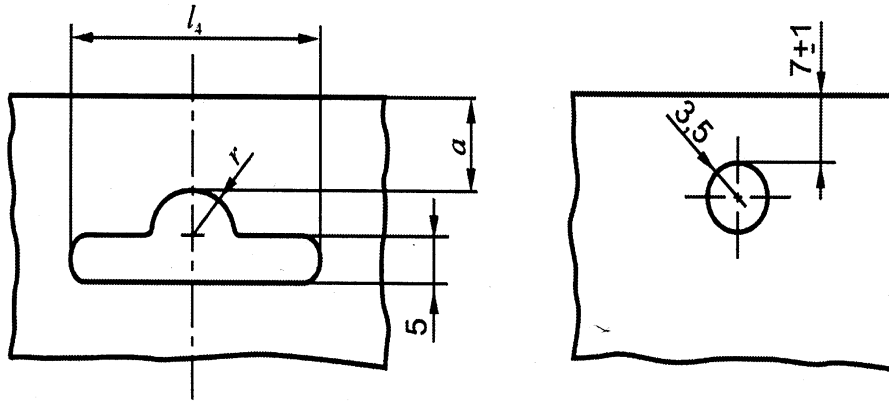


Figure 4 — Longitudinal slot (Type A)

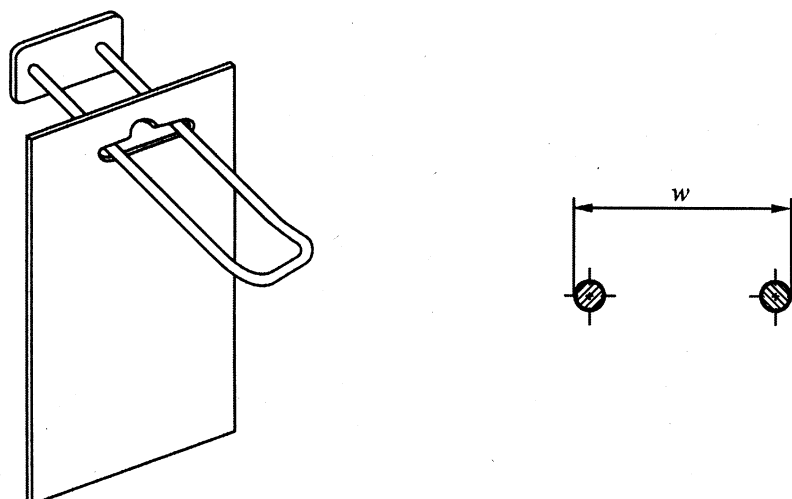
Figure 5 — Circular slot

The dimensions apply to the surfaces parallel to the punched slot. All measurements are expressed in mm.

Table 2 — Permitted dimensions of Type A slots

Type A size	a	Permitted deviation	$l_4$	r	w
1	10	$\pm 1$	30	5	28
2	7	$\pm 1$		18	
3			16		

Packages with slit formed holes can be exposed as well on single pin holders as on double pin holders, but packages with round holes cannot be exposed on double pin holders which is the type to be preferred for safety reasons. See figure 1.



Width of display unit hook

Figure 6 — Example of unit packaging

## 2.4 Designation

The designation of a unit packaging having a width of 140 mm, length of 34 mm, slot for package display, type A, size 1, is "Unit packaging EN 13010 – 140 x 34 A1".

[SIST EN 13010:2003](https://standards.iteh.ai/catalog/standards/sist/ee0a2977-0474-4d79-baac-9dae41927797/sist-en-13010-2003)

<https://standards.iteh.ai/catalog/standards/sist/ee0a2977-0474-4d79-baac-9dae41927797/sist-en-13010-2003>