



**SLOVENSKI STANDARD**  
**SIST EN 23630-2:2000**

**01-januar-2000**

---

**Dental root canal instruments - Part 2: Enlargers (ISO 3630-2:1986)**

Dental root canal instruments - Part 2: Enlargers (ISO 3630-2:1986)

Zahnärztliche Wurzelkanalinstrumente - Teil 2: Erweiterer (ISO 3630-2:1986)

Instruments pour canaux radiculaires utilisés en art dentaire - Partie 2: Elargisseurs (ISO 3630-2:1986)

**(standards.iteh.ai)**

**Ta slovenski standard je istoveten z: EN 23630-2:1991**

SIST EN 23630-2:2000  
<https://standards.iteh.ai/catalog/standards/sist/240361a6-53cb-48ec-b86d-02fe59c36846/sist-en-23630-2-2000>

**ICS:**

11.060.25      Zobotehnični instrumenti      Dental instruments

**SIST EN 23630-2:2000**

**en**

**iTeh STANDARD PREVIEW**  
**(standards.iteh.ai)**

SIST EN 23630-2:2000

<https://standards.iteh.ai/catalog/standards/sist/240361a6-53cb-48ec-b86d-02fe59c36846/sist-en-23630-2-2000>

UDC 615.47:616.314.163-08

Descriptors : Dentistry, dental instruments, dental rotary-cutting instruments, dimensions, designation, conventional colours, marking

## English version

Dental root canal instruments - Part 2: Enlargers  
(ISO 3630-2:1986)

Instruments pour canaux radiculaires      Zahnärztliche Wurzelkanalinstrumente -  
utilisés en art dentaire - Partie 2:      Teil 2: Erweiterer (ISO 3630-2:1986)  
Elargisseurs (ISO 3630-2:1986)

This European Standard was approved by CEN on 1991-12-02 and is identical to the ISO standard as referred to.

CEN members are bound to comply with the CEN/CENELEC Internal Regulations which stipulate the conditions for giving this European Standard the status of a national standard without any alteration.

Up-to-date lists and bibliographical references concerning such national standards may be obtained on application to the Central Secretariat or to any CEN member.

(standards.iteh.ai)

This European Standard exists in three official versions (English, French, German). A version in any other language made by translation under the responsibility of a CEN member into its own language and notified to the Central Secretariat has the same status as the official versions.

CEN members are the national standards bodies of Austria, Belgium, Denmark, Finland, France, Germany, Greece, Iceland, Ireland, Italy, Luxembourg, Netherlands, Norway, Portugal, Spain, Sweden, Switzerland and United Kingdom.

## CEN

European Committee for Standardization  
Comité Européen de Normalisation  
Europäisches Komitee für Normung

Central Secretariat: rue de Stassart 36, B-1050 Brussels

(c) CEN 1991 Copyright reserved to all CEN members

Ref. No. EN 23630-2:1991 E



REPUBLIKA SLOVENIJA  
MINISTRSTVO ZA ZNANOST IN TEHNOLOGIJO  
Urad RS za standardizacijo in meroslovje  
LJUBLJANA

SIST... EN... 23630-2.....  
PREVZET PO METODI RAZGLASITVE

Page 2  
EN 23630-2:1991

### Foreword

This European Standard has been taken over by CEN/TC 55, "Dental products" from the work of ISO/TC 106 "Dentistry" of the International Organisation for Standardization (ISO).

This document has been submitted to the unique acceptance procedure (UAP) and has been approved.

National Standards identical to this European Standard shall be published at the latest by 92-06-04 and conflicting national standards shall be withdrawn at the latest 92-06-04.

In accordance with the CEN/CENELEC Internal Regulations, the following countries are bound to implement this European Standard : Austria, Belgium, Denmark, Finland, France, Germany, Greece, Iceland, Ireland, Italy, Luxembourg, Netherlands, Norway, Portugal, Spain, Sweden, Switzerland, United Kingdom.

**(standards.iteh.ai)**

### Endorsement notice 2000

<https://standards.iteh.ai/catalog/standards/sist/240361a6-53cb-48ec-b86d-02fe59c36846/sist-en-23630-2-2000>

The text of the International Standard ISO 3630-2 :1986 has been approved by CEN as a European Standard without any modification.

---

International Standard



3630/2

---

INTERNATIONAL ORGANIZATION FOR STANDARDIZATION • МЕЖДУНАРОДНАЯ ОРГАНИЗАЦИЯ ПО СТАНДАРТИЗАЦИИ • ORGANISATION INTERNATIONALE DE NORMALISATION

---

## Dental root canal instruments — Part 2: Enlargers

*Instruments pour canaux radiculaires utilisés en art dentaire — Partie 2: Élargisseurs*

First edition — 1986-05-01

**ITeH STANDARD PREVIEW**  
**(standards.iteh.ai)**

SIST EN 23630-2:2000

<https://standards.iteh.ai/catalog/standards/sist/240361a6-53cb-48ec-b86d-02fe59c36846/sist-en-23630-2-2000>

---

UDC 616.314-7 : 621.918.02

Ref. No. ISO 3630/2-1986 (E)

Descriptors : dentistry, dental instruments, specifications, dimensions, designation, colour codes, packaging, marking.

## Foreword

ISO (the International Organization for Standardization) is a worldwide federation of national standards bodies (ISO member bodies). The work of preparing International Standards is normally carried out through ISO technical committees. Each member body interested in a subject for which a technical committee has been established has the right to be represented on that committee. International organizations, governmental and non-governmental, in liaison with ISO, also take part in the work.

Draft International Standards adopted by the technical committees are circulated to the member bodies for approval before their acceptance as International Standards by the ISO Council. They are approved in accordance with ISO procedures requiring at least 75 % approval by the member bodies voting.

International Standard ISO 3630/2 was prepared by Technical Committee ISO/TC 106, *Dentistry*.

NOTE — ISO 3630/2 was originally circulated as ISO/DIS 3630/DAD 1.

Users should note that all International Standards undergo revision from time to time and that any reference made herein to any other International Standard implies its latest edition, unless otherwise stated.

# Dental root canal instruments —

## Part 2: Enlargers

### 0 Introduction

This part of ISO 3630 forms part of a three-part International Standard on dental root canal instruments which will eventually comprise

Part 1: Files, reamers and barbed broaches.

Part 2: Enlargers.

Part 3: Condensers and spreaders.

When the first edition of ISO 3630 (ISO 3630-1984) is revised, it will be renumbered as ISO 3630/1. Further requirements (for example bending, torque and cutting ability) will be included in future work on this three-part series of ISO 3630.

Attention is drawn to ISO 6360 which specifies a 15-digit number for the identification of dental rotary instruments of all types.

### 1 Scope and field of application

This part of ISO 3630 specifies requirements for root canal instruments of the following types:

- a) enlarger, type G;
- b) enlarger, type B1;
- c) enlarger, type P.

### 2 References

ISO 1797, *Dental rotary instruments — Shanks.*

ISO 2014, *Writing of calendar dates in all-numeric form.*

ISO 3630, *Dental root canal instruments.*<sup>1)</sup>

ISO 6360, *Dental rotary instruments — Number coding system.*

### 3 Material

The instruments shall be made from cold worked tool steel. The type of steel and the treatment given to it is left to the discretion of the manufacturer.

### 4 Dimensional requirements

The dimensions are given in millimetres.

The dimensional requirements of the instruments shall comply with the respective tables and figures; within the dimensional requirements, variations in shape and design are permissible. Compliance shall be tested in accordance with ISO 3630.

#### 4.1 Nominal diameters and nominal size designation

Table 1 gives the series of nominal diameters for the working part and the corresponding designations to be used for the types of dental root canal instruments specified in this part of ISO 3630.

The designations of nominal sizes are given by three digits corresponding to the value of the nominal diameter, in hundredths of a millimetre.

**Table 1 — Nominal diameters and nominal size designation**

Nominal diameter	Nominal size designation
0,50	050
0,70	070
0,90	090
1,10	110
1,20	120
1,30	130
1,40	140
1,50	150
1,60	160
1,70	170
1,90	190

1) See clause 0 for explanation of status of ISO 3630 in relation to this part of ISO 3630.

ISO 3630/2-1986 (E)

4.2 Enlarger, type G

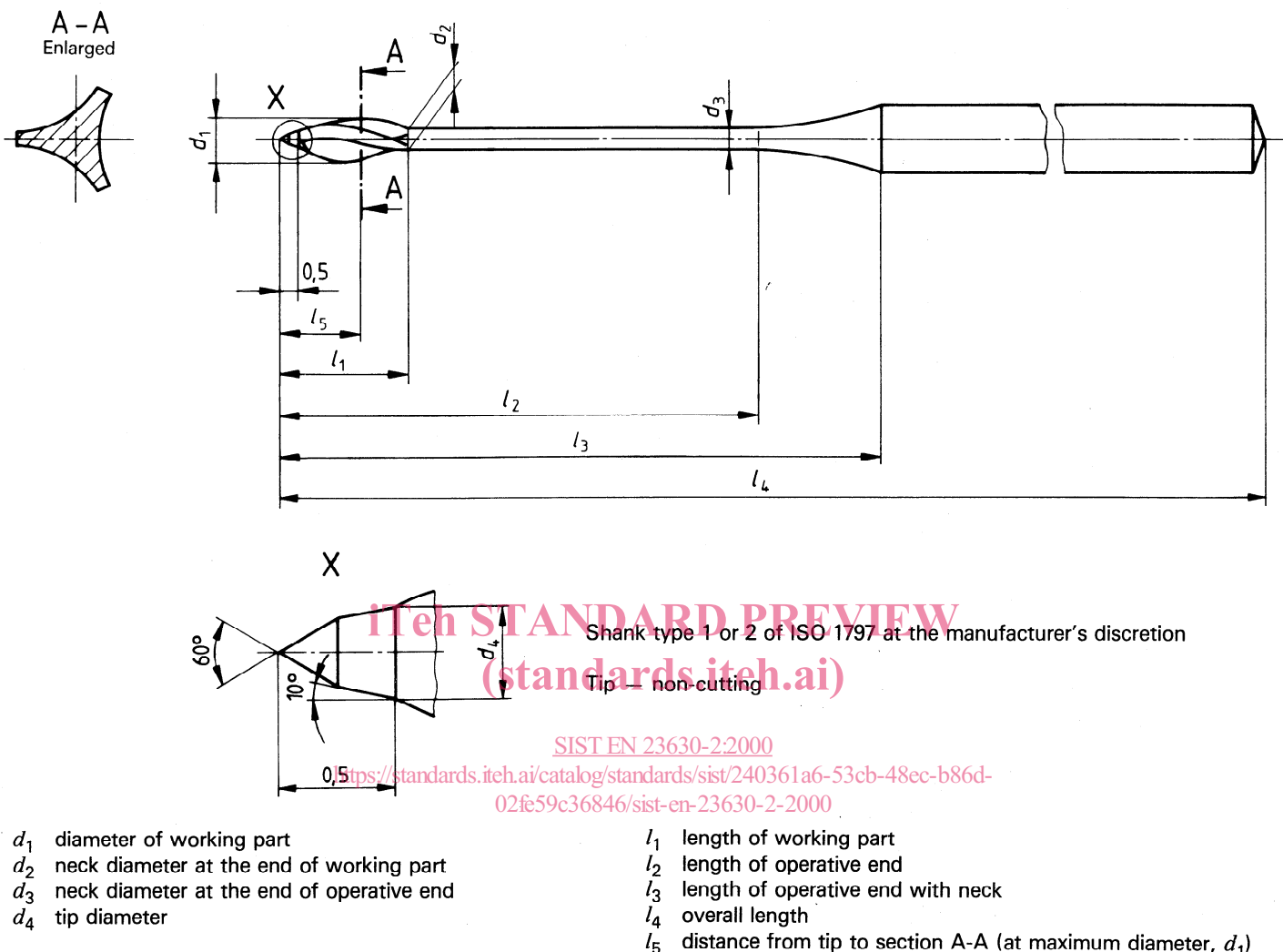


Figure 1

Table 2 – Dimensions and designation

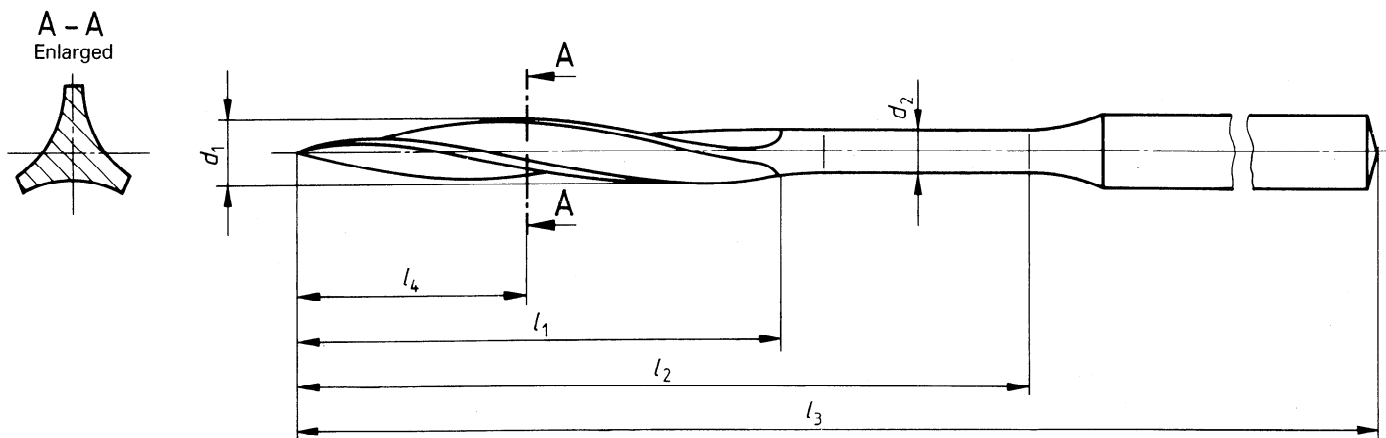
Nominal size	$d_1$ $\pm 0,05$	$l_1$ min.	$d_2$ max.	$d_3$ max.	$d_4$ max.	$l_5$ $\approx$	Number of blades min.	Designation	
								Colour	Ring marking on shank
050	0,5	2,5	0,38	0,36	0,30	1,50	3	white	I
070	0,7	2,9	0,48	0,45	0,30	1,70	3	yellow	II
090	0,9	3,3	0,58	0,55	0,35	1,90	3	red	III
110	1,1	3,7	0,68	0,65	0,35	2,10	3	blue	III I
130	1,3	4,1	0,78	0,74	0,44	2,30	3	green	III II
150	1,5	4,5	0,87	0,83	0,44	2,50	3	black	III III

Table 3 – Lengths  $l_2$ ,  $l_3$  and  $l_4$

Shank (See ISO 1797)	$l_2$ min.	$l_3$ min.	$l_4$
Type 1	15,2	19	32 $\pm$ 0,5
Type 2			60,5 $\pm$ 1



## 4.3 Enlarger, type B1



Shank type 1 or 2 of ISO 1797 at the manufacturer's discretion.

$d_1$  diameter of working part  
 $d_2$  neck diameter

$l_1$  length of working part  
 $l_2$  length of operative end  
 $l_3$  overall length  
 $l_4$  distance from tip to section A-A (at maximum diameter,  $d_1$ )

iTeh STANDARD PREVIEW  
 (standards.itteh.ai)  
 Figure 2

SIST EN 23630-2:2000  
 Table 4 — Dimensions and designation  
<https://standards.itteh.ai/catalog/standards/sist/240561a0-55cb-48ec-b86d-021e59c36846/sist-en-23630-2-2000>

Nominal size	$d_1$ $\pm 0,05$	$l_1$ min.	$d_2$ max.	$l_4$ $\approx$	Number of blades min.	Designation	
						Colour	Ring marking on shank
070	0,7	9,0	0,60	4,50	3	white	I
090	0,9	9,0	0,68	4,50	3	yellow	II
110	1,1	9,0	0,70	4,50	3	red	III
130	1,3	9,5	0,80	4,75	3	blue	III I
150	1,5	9,5	0,90	4,75	3	green	III II
170	1,7	9,5	1,00	4,75	3	black	III III

Table 5 — Lengths  $l_2$  and  $l_3$

Shank (See ISO 1797)	$l_2$ min.	$l_3$
Type 1	13	$32 \pm 0,5$
Type 2	26	$60,5 \pm 1$