



**SLOVENSKI STANDARD**  
**SIST EN 60335-2-21:2000/A1:2001**

**01-februar-2001**

---

J U f b c g h [ c g d c X ] b ' g \_ \ ] b ' d c X c V b \ ` Y Y \_ f ] b ] ` U d U f U r c j ` ! ` & ! & % % " X Y . ` D c g Y V b Y  
n U h j Y n U U \_ i a i ` U W ' g \_ Y [ f Y b ] \_ Y j c X Y f 1 9 7 ` \* \$ ' ' ) ! & ! & % % - + # 5 % % - - £

Safety of household and similar electrical appliances -- Part 2-21: Particular requirements for storage water heaters

Sicherheit elektrischer Geräte für den Hausgebrauch und ähnliche Zwecke -- Teil 2-21: Besondere Anforderungen für Wasserewärmer (Warmwasserspeicher und Warmwasserboiler)

**(standards.iteh.ai)**

Sécurité des appareils électrodomestiques et analogues -- Partie 2-21: Règles particulières pour les chauffe-eau à accumulation

<https://standards.iteh.ai/catalog/standards/sist/063574d2-ebbb-41de-8b15-f709f31e7718/sist-en-60335-2-21-2000-a1-2001>

**Ta slovenski standard je istoveten z: EN 60335-2-21:1999/A1:2000**

---

**ICS:**

|           |                          |                         |
|-----------|--------------------------|-------------------------|
| 13.120    | Varnost na domu          | Domestic safety         |
| 91.140.65 | Oprema za ogrevanje vode | Water heating equipment |

**SIST EN 60335-2-21:2000/A1:2001 en**

**iTeh STANDARD PREVIEW**  
**(standards.iteh.ai)**

SIST EN 60335-2-21:2000/A1:2001

<https://standards.iteh.ai/catalog/standards/sist/063574d2-ebbb-41de-8b15-f709f31e7718/sist-en-60335-2-21-2000-a1-2001>

EUROPEAN STANDARD

**EN 60335-2-21/A1**

NORME EUROPÉENNE

EUROPÄISCHE NORM

May 2000

ICS 13.120; 91.140.65

English version

**Safety of household and similar electrical appliances**  
**Part 2-21: Particular requirements for storage water heaters**  
 (IEC 60335-2-21:1997/A1:1999)

Sécurité des appareils  
 électrodomestiques et analogues  
 Partie 2-21: Règles particulières pour les  
 chauffe-eau à accumulation  
 (CEI 60335-2-21:1997/A1:1999)

Sicherheit elektrischer Geräte für den  
 Hausgebrauch und ähnliche Zwecke  
 Teil 2-21: Besondere Anforderungen für  
 Wassererwärmer (Warmwasserspeicher  
 und Warmwasserboiler)  
 (IEC 60335-2-21:1997/A1:1999)

**iTeh STANDARD PREVIEW**  
**(standards.iteh.ai)**

[SIST EN 60335-2-21:2000/A1:2001](https://standards.iteh.ai/catalog/standards/sist/663574d2-ebbb-41de-8b15-f709b1e7718/sist-en-60335-2-21-2000-a1-2001)

<https://standards.iteh.ai/catalog/standards/sist/663574d2-ebbb-41de-8b15-f709b1e7718/sist-en-60335-2-21-2000-a1-2001>

This amendment A1 modifies the European Standard EN 60335-2-21:1999; it was approved by CENELEC on 1999-12-01. CENELEC members are bound to comply with the CEN/CENELEC Internal Regulations which stipulate the conditions for giving this amendment the status of a national standard without any alteration.

Up-to-date lists and bibliographical references concerning such national standards may be obtained on application to the Central Secretariat or to any CENELEC member.

This amendment exists in three official versions (English, French, German). A version in any other language made by translation under the responsibility of a CENELEC member into its own language and notified to the Central Secretariat has the same status as the official versions.

CENELEC members are the national electrotechnical committees of Austria, Belgium, Czech Republic, Denmark, Finland, France, Germany, Greece, Iceland, Ireland, Italy, Luxembourg, Netherlands, Norway, Portugal, Spain, Sweden, Switzerland and United Kingdom.

# CENELEC

European Committee for Electrotechnical Standardization  
 Comité Européen de Normalisation Electrotechnique  
 Europäisches Komitee für Elektrotechnische Normung

**Central Secretariat: rue de Stassart 35, B - 1050 Brussels**

## Foreword

The text of document 61/1648/FDIS, future amendment to IEC 60335-2-21:1997 prepared by the IEC Technical Committee 61, was submitted to the IEC-CENELEC parallel vote and was approved by CENELEC as amendment A1 to EN 60335-2-21 on 1999-12-01.

The following dates are applicable:

- latest date by which the amendment has to be implemented at national level by publication of an identical national standard or by endorsement (dop) 2000-11-01
- date on which national standards conflicting with the amendment have to be withdrawn (dow) 2002-12-01

This amendment supplements or modifies the corresponding clauses of EN 60335-2-21:1999. It includes the corrigendum July 1999.

There are no special national conditions causing a deviation from this amendment.

Additional national deviations are listed in annex ZB.

p NOTE In this document, p is used in the margin to indicate instructions for preparing the printed version.

**iTeh STANDARD PREVIEW**  
Endorsement notice  
(standards.iteh.ai)

The text of amendment 1:1999 to the International Standard IEC 60335-2-21:1997 was approved by CENELEC as an amendment to the European Standard without any modification.

<https://standards.iteh.ai/catalog/standards/sist/en-60335-2-21-2000/a1-2001>  
f709f31e7718/sist-en-60335-2-21-2000-a1-2001

p Add:

### Annex ZB (informative) A-deviations

*Addition:*

**24** **Denmark** (Building Regulations, 1978, Code of Practice for domestic water supply installations, DS 439)

Components shall have a minimum rated pressure of 1,0 MPa.

**24.102** **Italy** (Regio Decreto 1927)

The water temperature limit of the stored water shall be in accordance with the Regio decreto 824 - 12/5/1927.

# INTERNATIONAL STANDARD

# IEC 60335-2-21

1997

 AMENDMENT 1  
1999-11

Amendment 1

**Safety of household and similar electrical  
appliances –**

**Part 2-21:  
Particular requirements for storage  
water heaters**

[SIST EN 60335-2-21:2000/A1:2001](https://standards.iteh.ai/catalog/standards/sist/063574d2-ebbb-41de-8b15-f709b31e7718/sist-en-60335-2-21-2000-a1-2001)  
[https://standards.iteh.ai/catalog/standards/sist/063574d2-ebbb-41de-8b15-  
f709b31e7718/sist-en-60335-2-21-2000-a1-2001](https://standards.iteh.ai/catalog/standards/sist/063574d2-ebbb-41de-8b15-f709b31e7718/sist-en-60335-2-21-2000-a1-2001)

*Amendement 1*

*Sécurité des appareils électrodomestiques et analogues –*

*Partie 2-21:  
Règles particulières pour les chauffe-eau à accumulation*

© IEC 1999 — Copyright - all rights reserved

International Electrotechnical Commission  
Telefax: +41 22 919 0300

3, rue de Varembé Geneva, Switzerland  
e-mail: inmail@iec.ch IEC web site <http://www.iec.ch>



Commission Electrotechnique Internationale  
International Electrotechnical Commission  
Международная Электротехническая Комиссия

PRICE CODE

**B**

*For price, see current catalogue*

## FOREWORD

This amendment has been prepared by IEC technical committee 61: Safety of household and similar electrical appliances.

The text of this amendment is based on the following documents:

|              |                 |
|--------------|-----------------|
| FDIS         | Rapport de vote |
| 61/1648/FDIS | 61/1744/RVD     |

Full information on the voting for the approval of this amendment can be found in the report on voting indicated in the above table.

A bilingual version of this amendment may be issued at a later date.

## 2 Definitions

Add the following:

### 2.107

**low pressure water heater storage water heater** which is vented to the atmosphere and intended to be connected to the water mains through a pressure reducing valve, the flow of water being controlled by one or more valves in the outlet system

## 7 Marking and instructions

7.1 In the fourth paragraph, after "0,6 MPa", add:

and **low pressure water heaters**

7.12.1 In the fourth paragraph, after "**cistern-fed water heaters**", add:

and **low pressure water heaters**

## 19 Abnormal operation

19.1 In the second paragraph, replace the types of water heaters specified by:

**For closed water heaters, low pressure water heaters and open-outlet water heaters,**

19.102 Delete this subclause.



## 22 Construction

**22.101** *In the second paragraph, after "closed water heaters", add:*

and **low pressure water heaters**

**22.102** *In the second dashed item, after "cistern-fed water heaters", add:*

and **low pressure water heaters**;

**22.104** *Delete the compliance sentence after the first paragraph.*

*Add the following:*

The vent pipe of **low pressure water heaters** shall have an internal diameter of at least 20 mm.

## 24 Components

*Add the following:*

**24.1.1** *Addition:*

**iTeh STANDARD PREVIEW**  
(standards.iteh.ai)

**Thermal cut-outs** incorporated in **closed water heaters** shall comply with the requirements of IEC 60730-1 for type 2B controls, unless they are tested with the appliance.

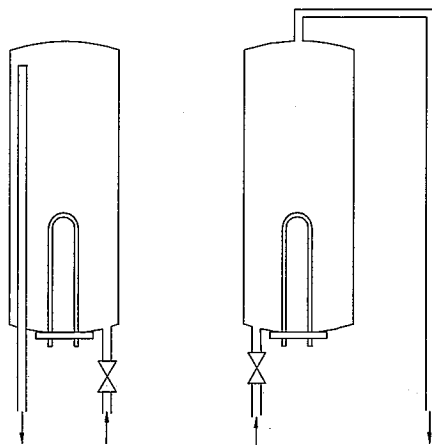
[SIST EN 60335-2-21:2000/A1:2001](https://standards.iteh.ai/catalog/standards/sist/063574d2-ebbb-41de-8b15-f709f31e7718/sist-en-60335-2-21-2000-a1-2001)

**24.1.2** *Addition:* <https://standards.iteh.ai/catalog/standards/sist/063574d2-ebbb-41de-8b15-f709f31e7718/sist-en-60335-2-21-2000-a1-2001>

For **thermal cut-outs** incorporated in **closed water heaters**, clauses 13, 15, 16, 17 and 20 of IEC 60730-1 apply as specified for type 2B controls.

**Figure 101**

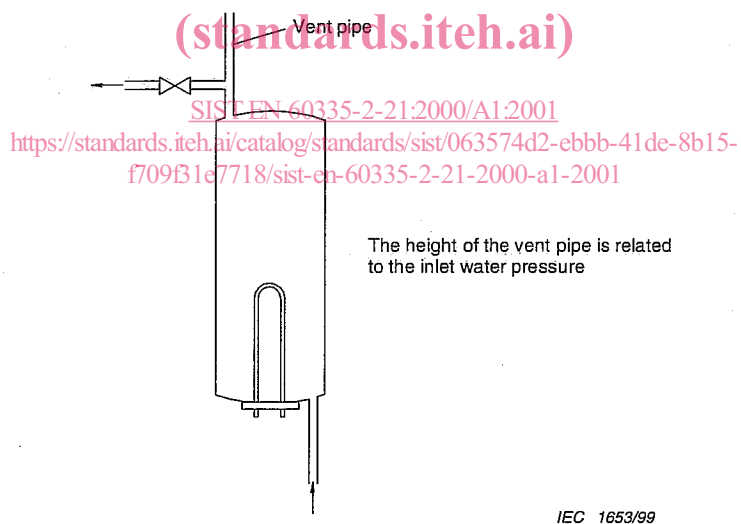
Replace figure d) by:



IEC 1652/99

**d) Open-outlet water heater**

Add the following as figure e):

**e) Low pressure water heater**