

INTERNATIONAL STANDARD

NORME INTERNATIONALE

**Modular component interfaces for surface-mount fluid distribution
components –
Part 1: Elastomeric seals** (standards.iteh.ai)

**Interfaces de composants modulaires pour les composants de distribution
de fluide montés en surface –
Partie 1: Joints en élastomère**



THIS PUBLICATION IS COPYRIGHT PROTECTED

Copyright © 2006 IEC, Geneva, Switzerland

All rights reserved. Unless otherwise specified, no part of this publication may be reproduced or utilized in any form or by any means, electronic or mechanical, including photocopying and microfilm, without permission in writing from either IEC or IEC's member National Committee in the country of the requester.

If you have any questions about IEC copyright or have an enquiry about obtaining additional rights to this publication, please contact the address below or your local IEC member National Committee for further information.

Droits de reproduction réservés. Sauf indication contraire, aucune partie de cette publication ne peut être reproduite ni utilisée sous quelque forme que ce soit et par aucun procédé, électronique ou mécanique, y compris la photocopie et les microfilms, sans l'accord écrit de la CEI ou du Comité national de la CEI du pays du demandeur.

Si vous avez des questions sur le copyright de la CEI ou si vous désirez obtenir des droits supplémentaires sur cette publication, utilisez les coordonnées ci-après ou contactez le Comité national de la CEI de votre pays de résidence.

IEC Central Office
3, rue de Varembe
CH-1211 Geneva 20
Switzerland

Tel.: +41 22 919 02 11
Fax: +41 22 919 03 00
info@iec.ch
www.iec.ch

About the IEC

The International Electrotechnical Commission (IEC) is the leading global organization that prepares and publishes International Standards for all electrical, electronic and related technologies.

About IEC publications

The technical content of IEC publications is kept under constant review by the IEC. Please make sure that you have the latest edition, a corrigenda or an amendment might have been published.

Useful links:

IEC publications search - www.iec.ch/searchpub

The advanced search enables you to find IEC publications by a variety of criteria (reference number, text, technical committee,...).

It also gives information on projects, replaced and withdrawn publications.

IEC Just Published - webstore.iec.ch/justpublished

Stay up to date on all new IEC publications. Just Published details all new publications released. Available on-line and also once a month by email.

Electropedia - www.electropedia.org

The world's leading online dictionary of electronic and electrical terms containing more than 30 000 terms and definitions in English and French, with equivalent terms in additional languages. Also known as the International Electrotechnical Vocabulary (IEV) on-line.

Customer Service Centre - webstore.iec.ch/csc

If you wish to give us your feedback on this publication or need further assistance, please contact the Customer Service Centre: csc@iec.ch.

A propos de la CEI

La Commission Electrotechnique Internationale (CEI) est la première organisation mondiale qui élabore et publie des Normes internationales pour tout ce qui a trait à l'électricité, à l'électronique et aux technologies apparentées.

A propos des publications CEI

Le contenu technique des publications de la CEI est constamment revu. Veuillez vous assurer que vous possédez l'édition la plus récente, un corrigendum ou amendement peut avoir été publié.

Liens utiles:

Recherche de publications CEI - www.iec.ch/searchpub

La recherche avancée vous permet de trouver des publications CEI en utilisant différents critères (numéro de référence, texte, comité d'études,...).

Elle donne aussi des informations sur les projets et les publications remplacées ou retirées.

Just Published CEI - webstore.iec.ch/justpublished

Restez informé sur les nouvelles publications de la CEI. Just Published détaille les nouvelles publications parues. Disponible en ligne et aussi une fois par mois par email.

Electropedia - www.electropedia.org

Le premier dictionnaire en ligne au monde de termes électroniques et électriques. Il contient plus de 30 000 termes et définitions en anglais et en français, ainsi que les termes équivalents dans les langues additionnelles. Egalement appelé Vocabulaire Electrotechnique International (VEI) en ligne.

Service Clients - webstore.iec.ch/csc

Si vous désirez nous donner des commentaires sur cette publication ou si vous avez des questions contactez-nous: csc@iec.ch.

INTERNATIONAL STANDARD

NORME INTERNATIONALE

**Modular component interfaces for surface-mount fluid distribution components –
Part 1: Elastomeric seals**

**Interfaces de composants modulaires pour les composants de distribution de fluide montés en surface –
Partie 1: Joints en élastomère**

INTERNATIONAL
ELECTROTECHNICAL
COMMISSION

COMMISSION
ELECTROTECHNIQUE
INTERNATIONALE

PRICE CODE
CODE PRIX

H

ICS 23.040..80; 25.040.40

ISBN 978-2-83220-374-3

**Warning! Make sure that you obtained this publication from an authorized distributor.
Attention! Veuillez vous assurer que vous avez obtenu cette publication via un distributeur agréé.**

INTERNATIONAL ELECTROTECHNICAL COMMISSION

**MODULAR COMPONENT INTERFACES FOR SURFACE-MOUNT
FLUID DISTRIBUTION COMPONENTS –**

Part 1: Elastomeric seals

FOREWORD

- 1) The International Electrotechnical Commission (IEC) is a worldwide organization for standardization comprising all national electrotechnical committees (IEC National Committees). The object of IEC is to promote international co-operation on all questions concerning standardization in the electrical and electronic fields. To this end and in addition to other activities, IEC publishes International Standards, Technical Specifications, Technical Reports, Publicly Available Specifications (PAS) and Guides (hereafter referred to as "IEC Publication(s)"). Their preparation is entrusted to technical committees; any IEC National Committee interested in the subject dealt with may participate in this preparatory work. International, governmental and non-governmental organizations liaising with the IEC also participate in this preparation. IEC collaborates closely with the International Organization for Standardization (ISO) in accordance with conditions determined by agreement between the two organizations.
- 2) The formal decisions or agreements of IEC on technical matters express, as nearly as possible, an international consensus of opinion on the relevant subjects since each technical committee has representation from all interested IEC National Committees.
- 3) IEC Publications have the form of recommendations for international use and are accepted by IEC National Committees in that sense. While all reasonable efforts are made to ensure that the technical content of IEC Publications is accurate, IEC cannot be held responsible for the way in which they are used or for any misinterpretation by any end user.
- 4) In order to promote international uniformity, IEC National Committees undertake to apply IEC Publications transparently to the maximum extent possible in their national and regional publications. Any divergence between any IEC Publication and the corresponding national or regional publication shall be clearly indicated in the latter.
- 5) IEC provides no marking procedure to indicate its approval and cannot be rendered responsible for any equipment declared to be in conformity with an IEC Publication.
- 6) All users should ensure that they have the latest edition of this publication.
- 7) No liability shall attach to IEC or its directors, employees, servants or agents including individual experts and members of its technical committees and IEC National Committees for any personal injury, property damage or other damage of any nature whatsoever, whether direct or indirect, or for costs (including legal fees) and expenses arising out of the publication, use of, or reliance upon, this IEC Publication or any other IEC Publications.
- 8) Attention is drawn to the Normative references cited in this publication. Use of the referenced publications is indispensable for the correct application of this publication.
- 9) Attention is drawn to the possibility that some of the elements of this IEC Publication may be the subject of patent rights. IEC shall not be held responsible for identifying any or all such patent rights.

International Standard IEC 62339-1 has been prepared by subcommittee 65D: Analysing equipment, of IEC technical committee 65: Industrial-process measurement and control.

This standard cancels and replaces IEC/PAS 62339-1 published in 2003. This first edition constitutes a technical revision.

This bilingual version (2012-12) corresponds to the monolingual English version, published in 2006-12.

The text of this standard is based on the following documents:

FDIS	Report on voting
65D/130/FDIS	65D/131/RVD

Full information on the voting for the approval of this standard can be found in the report on voting indicated in the above table.

The French version of this standard has not been voted upon.

This publication has been drafted in accordance with the ISO/IEC Directives, Part 2.

The committee has decided that the contents of this publication will remain unchanged until the maintenance result date indicated on the IEC web site under "<http://webstore.iec.ch>" in the data related to the specific publication. At this date, the publication will be

- reconfirmed,
- withdrawn,
- replaced by a revised edition, or
- amended.

iTeh STANDARD PREVIEW (standards.iteh.ai)

[IEC 62339-1:2006](#)

<https://standards.iteh.ai/catalog/standards/sist/f0f30382-0bea-4c2a-83d4-342e5b3ca119/iec-62339-1-2006>

MODULAR COMPONENT INTERFACES FOR SURFACE-MOUNT FLUID DISTRIBUTION COMPONENTS –

Part 1: Elastomeric seals

1 Scope and object

This International Standard applies to all types of surface-mount fluid distribution components with elastomeric sealing devices used within process analyser and sample-handling systems. This includes components such as valves, filters, regulators, transducers, and controllers.

The scope of this standard is limited as follows.

- a) This standard addresses only surface-mount fluid distribution components and proper sealing methods. This standard is limited to sealing methods using elastomeric material for the seals.
- b) The designs of the actual system components and the flow substrate are not specified in this standard. Any indication of mounting direction or other indexing is left to the manufacturer as required for its equipment.
- c) Users shall be aware that, on the basis of the stream conditions of their processes, other technologies and components may be readily available.
- d) This standard does not address the effects of various stream conditions on the technical functionality of the component.
- e) This standard does not address maintenance concerns for the components.
- f) This standard does not refer to design issues pertaining to specific safety requirements. These issues should be referenced to other standards, organizations, and recommended guidelines.
- g) International, national, and local codes, regulations, and laws should be consulted to ensure that each component meets the user's regulatory requirements.

The object of this standard is to establish properties and physical dimensions that define the interface for surface-mount fluid distribution components with elastomeric sealing devices used within process analyser and sample-handling systems. The interface controls the dimensions and location of the sealing surfaces to allow change of just one element of the system without modification of the entire system. This is what makes the system modular from both a design and a maintenance standpoint.

2 Normative references

The following referenced documents are indispensable for the application of this document. For dated references, only the edition cited applies. For undated references, the latest edition of the referenced document (including any amendments) applies.

ANSI/ISA-76.00.02:2002, *Modular Component Interfaces for Surface-Mounted Fluid Distribution Components – Part 1: Elastomeric seals*

3 Terms and definitions

For the purposes of this document, the following terms and definitions apply.

3.1**modular interface**

boundary between an independently operable part of a flow system and the flow substrate to which it is connected

3.2**surface finish**

final surface specifications of the substrate block, interface plate, sealing grooves, and seal devices

3.3**surface mount**

arrangement of independent flow conditioning system modules upon a defined flow substrate

4 Ordering components with the modular interface

This standard may be used when specifying systems employing this modular component design. It conveys the concept of the modular system and provides "footprint" dimensions to permit inter-changeability of components.

Purchase specifications for components in accordance with this standard shall include the standard number, date of issue, and references to the correct figure number.

5 Material requirements**5.1 Material certifications**

Material certifications shall be obtained and shall include chemical analysis and mechanical properties. For materials ordered to specifications that do not include mechanical properties, the manufacturer shall specify minimum mechanical properties.

5.2 Bolt torque requirements

To ensure the performance of these systems, users are cautioned to adhere to bolt torque requirements as specified by the manufacturer.

6 Sealing surface requirements**6.1 Surface roughness**

The sealing surface (flat surface of the bottom of the mounting flange) shall have a maximum surface roughness of 0,8 micrometers (32 micro-inches) Ra max in the area required for sealing.

6.2 Surface condition

The sealing surface shall not have any radial scratches in the area required for sealing that are visible to non-magnified normal vision.

6.3 Area required for sealing

The area required for sealing shall be defined as a surface with a diameter of 8,0 mm, with its centre coincident with each required pressure connection.

7 Dimensional requirements

Surface-mount fluid distribution components designed to span multiple positions, regardless of function, shall be dimensioned to interface with

- (a) the 38,2 mm (1,5 inch) footprint, spaced on 38,9 mm (1,3 inch) centrelines, with flow and bolt locations positionally toleranced to the same numeric values as a single position component (see Figure 1, taken from ANSI/ISA-76.00.02:2002); or
- (b) the 57,2 mm (2,25 inch) footprint, spaced on 58,0 mm (2,28 inch) centrelines, with flow and bolt locations positionally toleranced to the same numeric values as a single position component (see Figure 2, taken from ANSI/ISA-76.00.02:2002).

All dimensions in mm

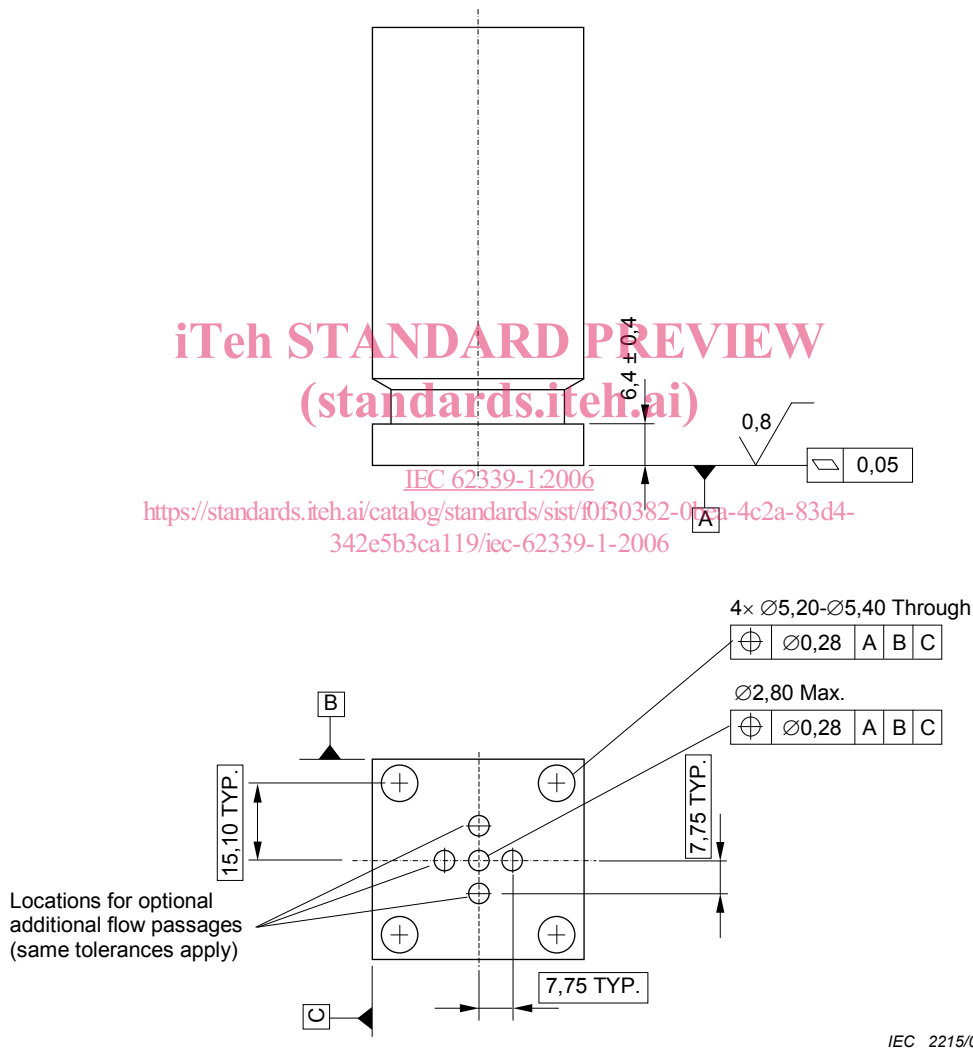


Figure 1 – Standard block for surface-mounted distribution components

All dimensions in millimetres

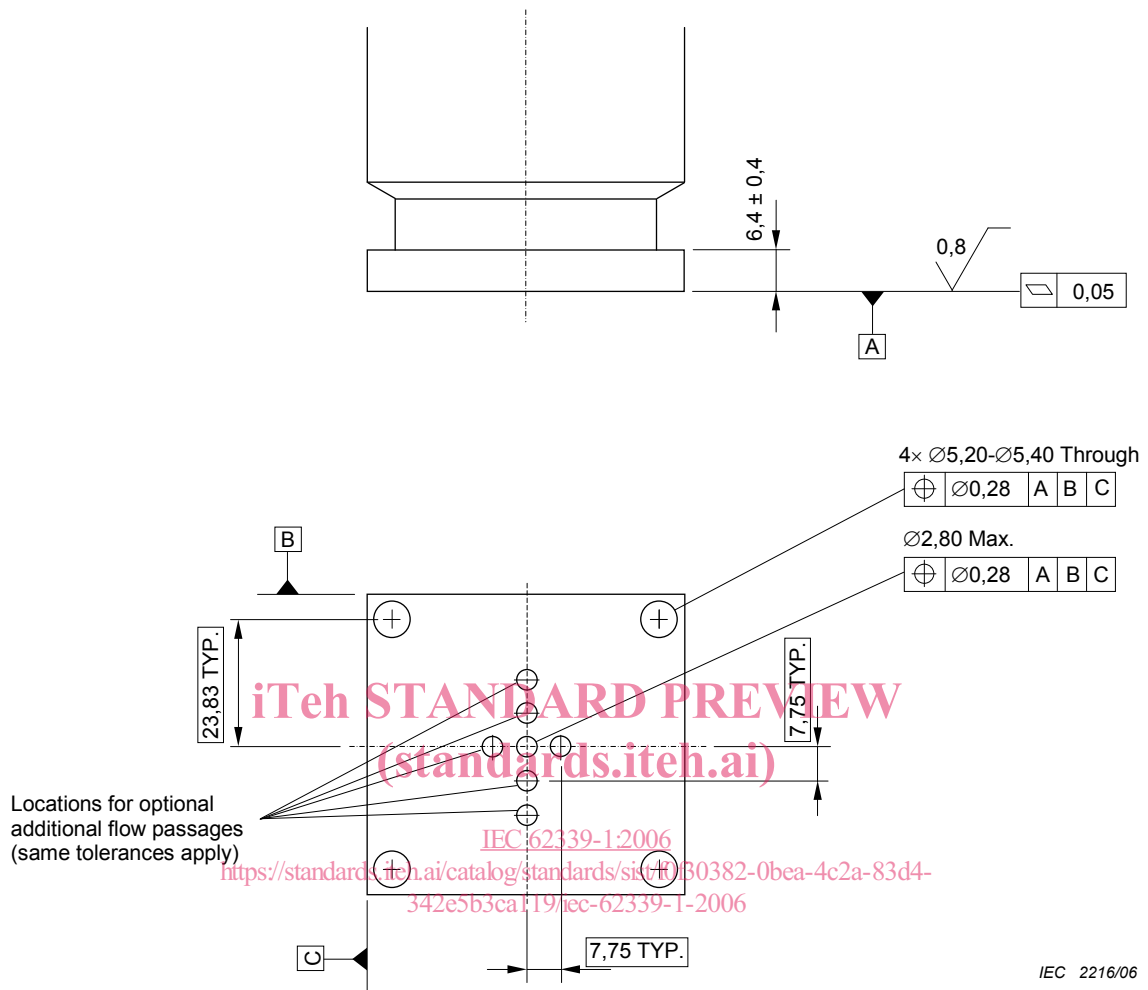


Figure 2 – Optional block for larger surface-mounted distribution components

Bibliography

ISO 4288:1996, *Geometrical Products Specification (GPS) – Surface texture: Profile method – Rules and procedures for the assessment of surface texture*

ASME Y14.5M:1999, *Dimensioning and Tolerancing*

iTeh STANDARD PREVIEW
(standards.iteh.ai)

[IEC 62339-1:2006](https://standards.iteh.ai/catalog/standards/sist/f0f30382-0bea-4c2a-83d4-342e5b3ca119/iec-62339-1-2006)

<https://standards.iteh.ai/catalog/standards/sist/f0f30382-0bea-4c2a-83d4-342e5b3ca119/iec-62339-1-2006>

iTeh STANDARD PREVIEW
(standards.iteh.ai)

[IEC 62339-1:2006](#)

<https://standards.iteh.ai/catalog/standards/sist/f0f30382-0bea-4c2a-83d4-342e5b3ca119/iec-62339-1-2006>