



SLOVENSKI STANDARD

SIST EN 14391:2005

01-marec-2005

Embalaza - Aluminijaste tube - Otipni opozorilni znaki

Packaging - Collapsible aluminium tubes - Tactile warnings of danger

Packmittel - Aluminiumtuben - Tastbare Gefahrenhinweise

Emballages - Tubes souples en aluminium - Indications tactiles de danger

Ta slovenski standard je istoveten z: **EN 14391:2004**

[SIST EN 14391:2005](https://standards.iteh.ai/catalog/standards/sist/en-14391-2005)

<https://standards.iteh.ai/catalog/standards/sist/en-14391-2005>

ICS:

11.180.30	Pripomočki in prilagoditve za branje	Aids and adaptations for reading
55.120	Pločevinke. Tube	Cans. Tins. Tubes
77.150.10	Aluminijski izdelki	Aluminium products

SIST EN 14391:2005

en,fr,de

iTeh STANDARD PREVIEW
(standards.iteh.ai)

[SIST EN 14391:2005](#)

<https://standards.iteh.ai/catalog/standards/sist/ea11d8ee-a4c8-4fc0-b45f-3a7d78e4b8d0/sist-en-14391-2005>

EUROPEAN STANDARD
NORME EUROPÉENNE
EUROPÄISCHE NORM

EN 14391

September 2004

ICS 55.120; 11.180.30

English version

Packaging - Collapsible aluminium tubes - Tactile warnings of danger

Emballages - Tubes souples en aluminium - Indications
tactiles de danger

Packmittel - Aluminiumtuben - Tastbare Gefahrenhinweise

This European Standard was approved by CEN on 16 January 2004.

CEN members are bound to comply with the CEN/CENELEC Internal Regulations which stipulate the conditions for giving this European Standard the status of a national standard without any alteration. Up-to-date lists and bibliographical references concerning such national standards may be obtained on application to the Central Secretariat or to any CEN member.

This European Standard exists in three official versions (English, French, German). A version in any other language made by translation under the responsibility of a CEN member into its own language and notified to the Central Secretariat has the same status as the official versions.

CEN members are the national standards bodies of Austria, Belgium, Cyprus, Czech Republic, Denmark, Estonia, Finland, France, Germany, Greece, Hungary, Iceland, Ireland, Italy, Latvia, Lithuania, Luxembourg, Malta, Netherlands, Norway, Poland, Portugal, Slovakia, Slovenia, Spain, Sweden, Switzerland and United Kingdom.

[SIST EN 14391:2005](https://standards.iteh.ai/catalog/standards/sist/ea11d8ee-a4c8-4fc0-b45f-3a7d78e4b8d0/sist-en-14391-2005)

<https://standards.iteh.ai/catalog/standards/sist/ea11d8ee-a4c8-4fc0-b45f-3a7d78e4b8d0/sist-en-14391-2005>



EUROPEAN COMMITTEE FOR STANDARDIZATION
COMITÉ EUROPÉEN DE NORMALISATION
EUROPÄISCHES KOMITEE FÜR NORMUNG

Management Centre: rue de Stassart, 36 B-1050 Brussels

Contents

	page
Foreword.....	3
1 Scope	4
2 Normative references	4
3 Terms and definitions	4
4 Measurements and position	4

iTeh STANDARD PREVIEW (standards.iteh.ai)

[SIST EN 14391:2005](https://standards.iteh.ai/catalog/standards/sist/ea11d8ee-a4c8-4fc0-b45f-3a7d78e4b8d0/sist-en-14391-2005)

<https://standards.iteh.ai/catalog/standards/sist/ea11d8ee-a4c8-4fc0-b45f-3a7d78e4b8d0/sist-en-14391-2005>

Foreword

This document (EN 14391:2004) has been prepared by Technical Committee CEN /TC 261, "Packaging", the secretariat of which is held by AFNOR.

This European Standard shall be given the status of a national standard, either by publication of an identical text or by endorsement, at the latest by March 2005, and conflicting national standards shall be withdrawn at the latest by March 2005.

According to the CEN/CENELEC Internal Regulations, the national standards organizations of the following countries are bound to implement this European Standard: Austria, Belgium, Cyprus, Czech Republic, Denmark, Estonia, Finland, France, Germany, Greece, Hungary, Iceland, Ireland, Italy, Latvia, Lithuania, Luxembourg, Malta, Netherlands, Norway, Poland, Portugal, Slovakia, Slovenia, Spain, Sweden, Switzerland and United Kingdom.

iTeh STANDARD PREVIEW (standards.iteh.ai)

[SIST EN 14391:2005](https://standards.iteh.ai/catalog/standards/sist/ea11d8ee-a4c8-4fc0-b45f-3a7d78e4b8d0/sist-en-14391-2005)

<https://standards.iteh.ai/catalog/standards/sist/ea11d8ee-a4c8-4fc0-b45f-3a7d78e4b8d0/sist-en-14391-2005>

EN 14391:2004 (E)

1 Scope

This document is applicable to aluminium tubes. It describes the kind and position of tactile warnings of danger according to EN ISO 11683 in relation to the diameters of tubes.

2 Normative references

The following referenced documents are indispensable for the application of this document. For dated references, only the edition cited applies. For undated references, the latest edition of the referenced document (including any amendments) applies.

EN 12374:1998, *Packaging — Flexible tubes — Terminology*

EN ISO 11683:1997, *Packaging — Tactile warnings of danger — Requirements (ISO 11683:1997)*

3 Terms and definitions

For the purposes of this standard the terms and definitions in EN 12374:1998 and EN ISO 11683:1997 apply.

4 Measurements and position

4.1 Diameters of the tube shoulder 11 mm and 13,5 mm

A 3-dot-symbol as given in EN ISO 11683 shall be used as shown in Figure 1.

<https://standards.iteh.ai/catalog/standards/sist/ea11d8ee-a4c8-4fc0-b45f-3a7d78e4b8d0/sist-en-14391-2005>

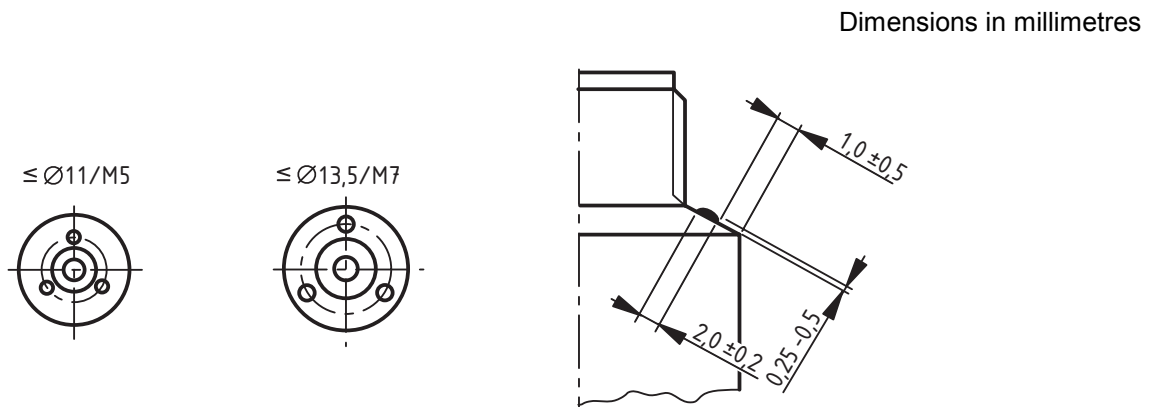


Figure 1 — Measurements and position for diameters of the tube shoulder 11 mm and 13,5 mm

4.2 Diameters of the tube shoulder 16 mm, 19 mm, 22 mm, 25 mm and 28 mm

A filled 3 mm triangle symbol as given in EN ISO 11683 shall be used as shown in Figure 2

Dimensions in millimetres

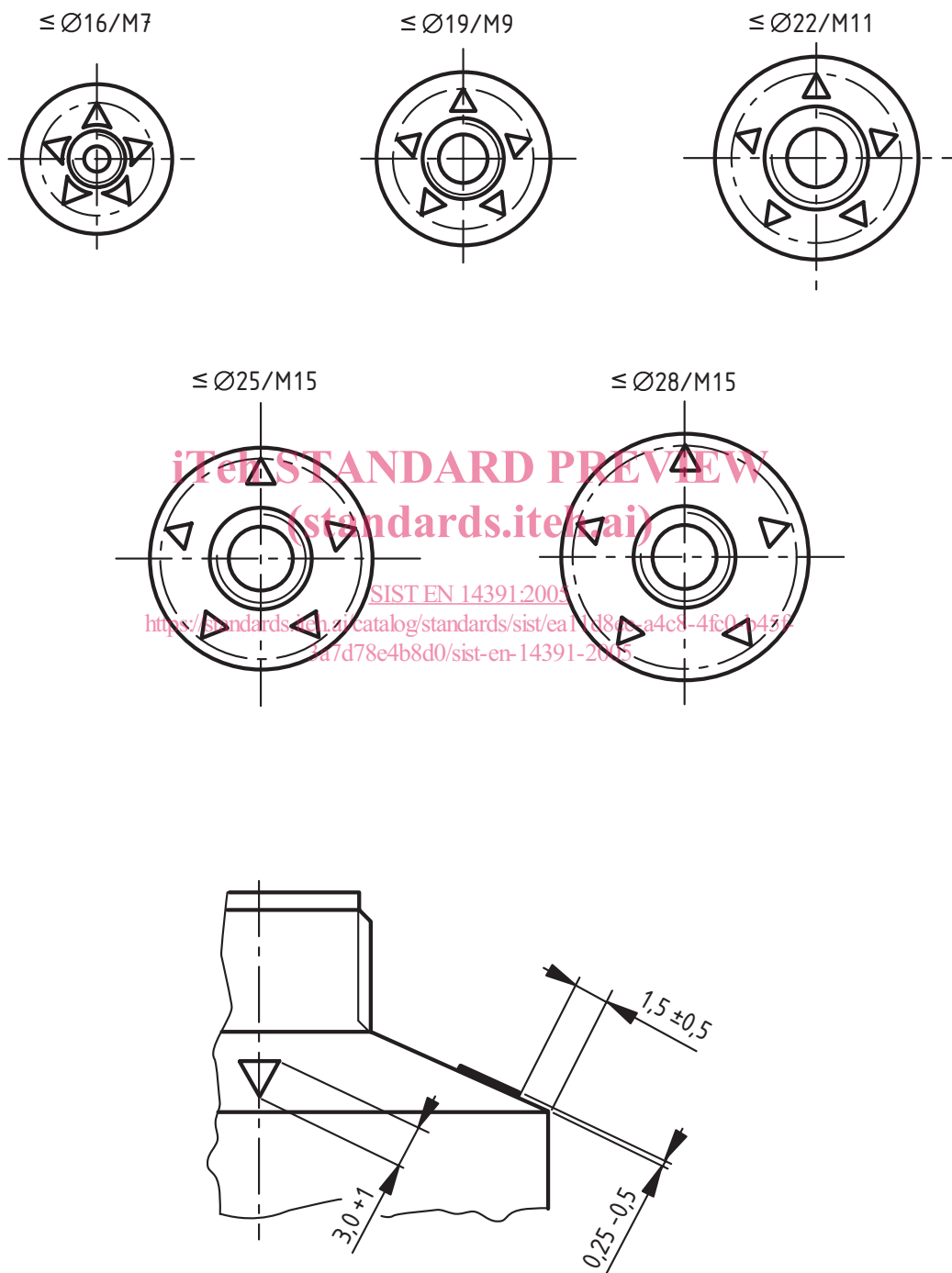


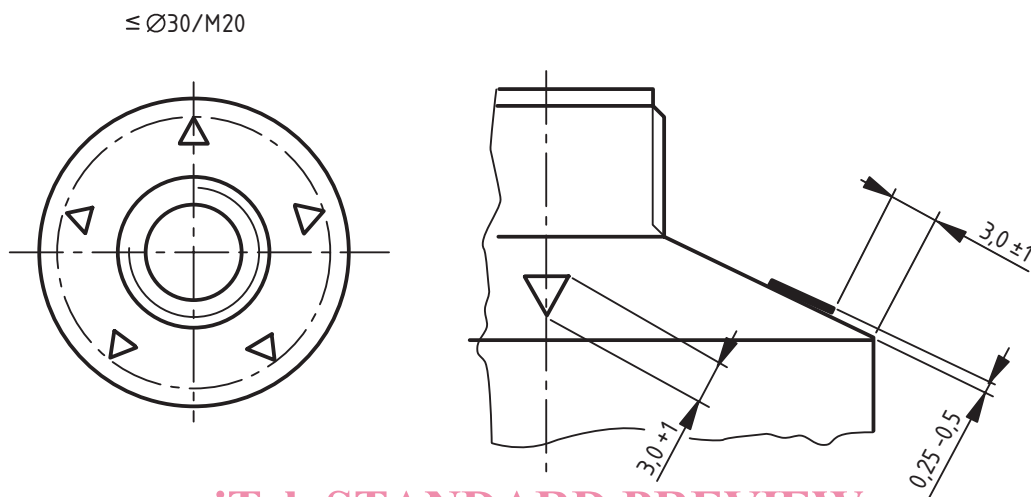
Figure 2 — Measurements and position for diameters of the tube shoulder 16 mm, 19 mm, 22 mm, 25 mm and 28 mm

EN 14391:2004 (E)

4.3 Diameter of the tube shoulder 30 mm

A filled 3 mm triangle symbol as given in EN ISO 11683 shall be used as shown in Figure 3

Dimensions in millimetres



iTeh STANDARD PREVIEW

Figure 3 — Measurements and position for diameter of the tube shoulder 30 mm

[SIST EN 14391:2005](https://standards.iteh.ai/catalog/standards/sist/ea11d8ee-a4c8-4fc0-b45f-3a7d78e4b8d0/sist-en-14391-2005)

<https://standards.iteh.ai/catalog/standards/sist/ea11d8ee-a4c8-4fc0-b45f-3a7d78e4b8d0/sist-en-14391-2005>