



**SLOVENSKI STANDARD**  
**SIST ISO 6959:1995**

**01-december-1995**

---

**Čevlji za tekaške smuči s tremi pritrdilnimi luknjami - Mere, vmesnik in načrtovanje**

Cross-country ski boots with three pin holes -- Dimensions, interface and design

Chaussures de ski de fond avec trois trous d'arrêt -- Dimensions, zone de jonction et conception

**(standards.iteh.ai)**

**Ta slovenski standard je istoveten z: ISO 6959:1983**

<https://standards.iteh.ai/catalog/standards/sist/bbe733df-ab1f-465c-8657-8201ba5c8c09/sist-iso-6959-1995>

**ICS:**

97.220.20      Oprema za zimske športe      Winter sports equipment

**SIST ISO 6959:1995**

**en**

**iTeh STANDARD PREVIEW**  
**(standards.iteh.ai)**

SIST ISO 6959:1995

<https://standards.iteh.ai/catalog/standards/sist/bbe733df-ab1f-465c-8657-820fba5c8c09/sist-iso-6959-1995>

---

International Standard



6959

---

INTERNATIONAL ORGANIZATION FOR STANDARDIZATION • МЕЖДУНАРОДНАЯ ОРГАНИЗАЦИЯ ПО СТАНДАРТИЗАЦИИ • ORGANISATION INTERNATIONALE DE NORMALISATION

---

## Cross-country ski boots with three pin holes — Dimensions, interface and design

*Chaussures de ski de fond avec trois trous d'arrêt — Dimensions, zone de jonction et conception*

First edition — 1983-08-15

**ITeH STANDARD PREVIEW**  
**(standards.iteh.ai)**

[SIST ISO 6959:1995](https://standards.iteh.ai/catalog/standards/sist/bbe733df-ab1f-465c-8657-820fba5c8c09/sist-iso-6959-1995)

<https://standards.iteh.ai/catalog/standards/sist/bbe733df-ab1f-465c-8657-820fba5c8c09/sist-iso-6959-1995>

---

UDC 685.316.92

Ref. No. ISO 6959-1983 (E)

**Descriptors** : sport equipment, skis, cross-country skis, assembling, fastenings, dimensions, marking, design.

## Foreword

ISO (the International Organization for Standardization) is a worldwide federation of national standards bodies (ISO member bodies). The work of developing International Standards is carried out through ISO technical committees. Every member body interested in a subject for which a technical committee has been authorized has the right to be represented on that committee. International organizations, governmental and non-governmental, in liaison with ISO, also take part in the work.

Draft International Standards adopted by the technical committees are circulated to the member bodies for approval before their acceptance as International Standards by the ISO Council.

International Standard ISO 6959 was developed by Technical Committee ISO/TC 83, *Sports and recreational equipment*, and was circulated to the member bodies in February 1982.

It has been approved by the member bodies of the following countries:

Austria	Germany, F.R.	Poland
Egypt, Arab Rep. of	India	Sweden
Finland	Italy	USA
France	New Zealand	USSR

No member body expressed disapproval of the document.

# Cross-country ski boots with three pin holes – Dimensions, interface and design

## iTeh STANDARD PREVIEW (standards.iteh.ai)

### 0 Introduction

This International Standard is based on publications known as “Nordic Norm, Racing Norm and Touring Norm” which are used by the manufacturers and are well known by skiers. Therefore the words “Nordic, Racing and Touring” are used for the classification and as part of the marking requirements in this International Standard.

It applies to ski boots for three-pin cross-country ski bindings of the following forms :

[SIST ISO 6959:1995](https://standards.iteh.ai/catalog/standards/sist/bbe733df-ab1f-465c-8657-620b13c6c0/sist-iso-6959-1995)

- a) “Nordic” : appropriate for recreational cross-country skiing;
- b) “Racing” : appropriate for competitions;
- c) “Touring” : a combination of “Nordic” and “Racing”, appropriate for sportive cross-country skiing.

### 1 Scope and field of application

This International Standard lays down the dimensions of the interfaces between ski boots and ski bindings for cross-country skiing as well as some requirements concerning the design.

2 Dimensions

The dimensions specified in the figures and in the table shall be respected. Other dimensions of the boot need not correspond to the figures.

Form N (Nordic)

Dimensions in millimetres

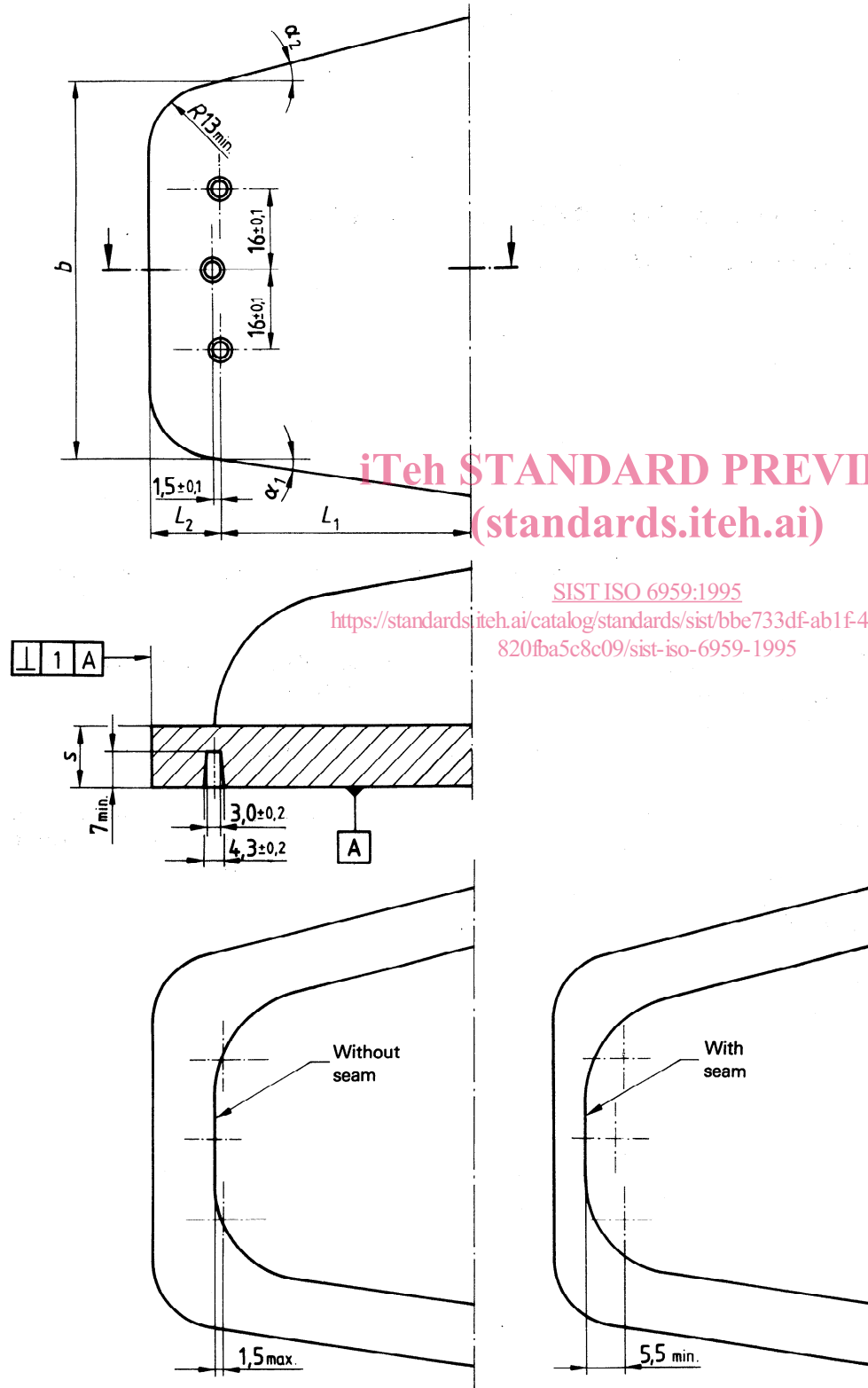


Figure 1 — Front of the boot form N (Nordic)

Forms R (Racing) and T (Touring)

For other dimensions and details see form N

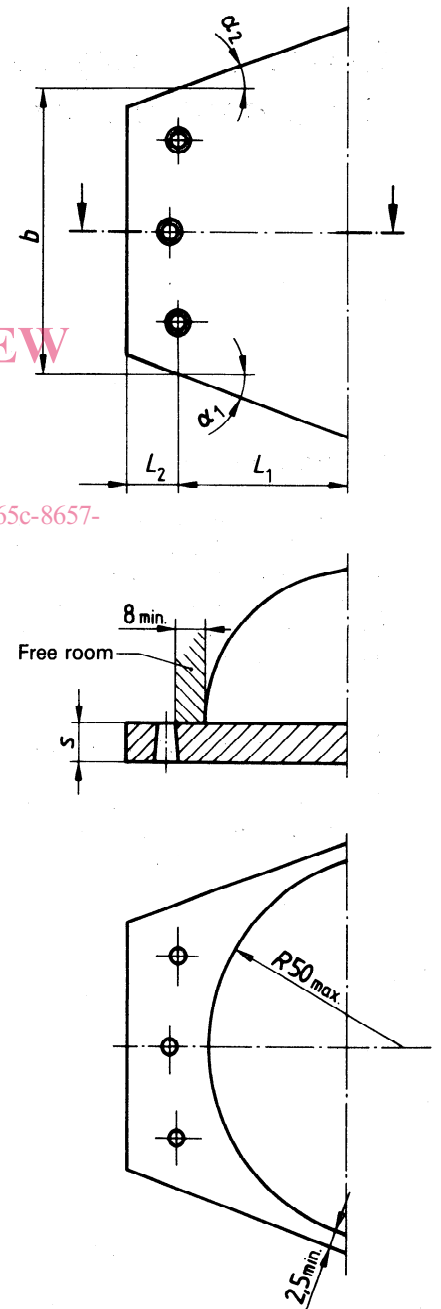


Figure 2 — Front of the boot forms R (Racing) and T (Touring)

Table

Dimensions in millimetres

Dimension	Nordic	Form Racing	Touring
$b$	71 <sup>0</sup> <sub>-0,5</sub> 75 <sup>0</sup> <sub>-0,5</sub> 79 <sup>0</sup> <sub>-0,5</sub>	50 <sup>0</sup> <sub>-0,2</sub>	50 <sup>0</sup> <sub>-0,2</sub>
$L_1$	50 min. for $b = 71$ and 75 60 min. for $b = 79$	30 min.	45 min.
$L_2$	12 to 16	$9 \pm 0,2$	$9 \pm 0,2$
$\alpha_1$	$8,5^\circ$ <sup>0</sup> <sub>-0,3°</sub>	$20^\circ$ <sup>0</sup> <sub>-0,3°</sub>	$20^\circ$ <sup>0</sup> <sub>-0,3°</sub>
$\alpha_2$	$14^\circ$ <sup>0</sup> <sub>-0,3°</sub>	$20^\circ$ <sup>0</sup> <sub>-0,3°</sub>	$20^\circ$ <sup>0</sup> <sub>-0,3°</sub>
$s$	$12 \pm 0,3$	$7 \pm 0,3$	$12 \pm 0,3$

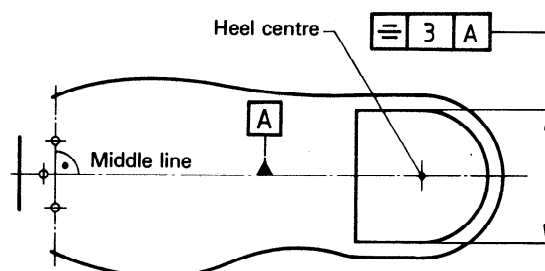


Figure 3 — Position of the heel centre

#### 4 Marking

Ski boots for cross-country skiing, which correspond to this International Standard, should be marked with the following elements :

a) the number of this International Standard, i.e. ISO 6959;

b) Nordic 71, 75 or 79

Touring 50

Racing 50

Element b) shall be placed near the pinholes.

#### 3 Design

3.1 Within the area  $L_1$ , the sidewalls shall be straight and perpendicular to the standing plane. In this area, no material shall protrude beyond the sidewalls.

3.2 The heel centre shall lie on the middle line of the boot sole with an admissible deviation of  $\pm 1,5$  mm.

3.3 If a reinforcement plate is used the distance to the running surface of the boot sole shall be 2,5 mm maximum.

**iTeh STANDARD PREVIEW**  
**(standards.iteh.ai)**

This page intentionally left blank

SIST ISO 6959:1995

<https://standards.iteh.ai/catalog/standards/sist/bbe733df-ab1f-465c-8657-820fba5c8c09/sist-iso-6959-1995>



**iTeh STANDARD PREVIEW**  
**(standards.iteh.ai)**

This page intentionally left blank

SIST ISO 6959:1995

<https://standards.iteh.ai/catalog/standards/sist/bbe733df-ab1f-465c-8657-820fba5c8c09/sist-iso-6959-1995>