



SLOVENSKI STANDARD
SIST ISO 7041:1996
01-april-1996

üYgfhcVY'nUý]lbY'a UñW'g'd`Ugh] b]a `j`cý_ca `!`H]d`&!`HfXbcghUfUhfYXU- `]b`%&

Prevailing torque type hexagon nuts (with non-metallic insert), style 2 -- Property classes 9 and 12

Écrous hexagonaux à freinage interne, à couple préalable (avec anneau non métallique), style 2 -- Classes de qualité 9 et 12

Ta slovenski standard je istoveten z: **ISO 7041:1983**
<https://standards.iteh.ai/catalog/standards/sist/89d97aad-9562-45f3-89fd-8b201263dce5/sist-iso-7041-1996>

ICS:

21.060.20 Matice Nuts

SIST ISO 7041:1996 en

iTeh STANDARD PREVIEW
(standards.iteh.ai)

SIST ISO 7041:1996

<https://standards.iteh.ai/catalog/standards/sist/89d97aad-9562-45f3-89fd-8b201263dce5/sist-iso-7041-1996>

International Standard



7041

INTERNATIONAL ORGANIZATION FOR STANDARDIZATION • МЕЖДУНАРОДНАЯ ОРГАНИЗАЦИЯ ПО СТАНДАРТИЗАЦИИ • ORGANISATION INTERNATIONALE DE NORMALISATION

Prevailing torque type hexagon nuts (with non-metallic insert), style 2 — Property classes 9 and 12

Écrous hexagonaux à freinage interne, à couple préalable (avec anneau non métallique), style 2 — Classes de qualité 9 et 12

First edition — 1983-08-01

iTeh STANDARD PREVIEW
(standards.iteh.ai)

[SIST ISO 7041:1996](https://standards.iteh.ai/catalog/standards/sist/89d97aad-9562-45f3-89fd-8b201263dce5/sist-iso-7041-1996)

<https://standards.iteh.ai/catalog/standards/sist/89d97aad-9562-45f3-89fd-8b201263dce5/sist-iso-7041-1996>

UDC 621.882.31

Ref. No. ISO 7041-1983 (E)

Descriptors : fasteners, nuts (fasteners), hexagonal nuts, specifications, dimensions, designation.

Price based on 3 pages

Foreword

ISO (the International Organization for Standardization) is a worldwide federation of national standards bodies (ISO member bodies). The work of developing International Standards is carried out through ISO technical committees. Every member body interested in a subject for which a technical committee has been authorized has the right to be represented on that committee. International organizations, governmental and non-governmental, in liaison with ISO, also take part in the work.

Draft International Standards adopted by the technical committees are circulated to the member bodies for approval before their acceptance as International Standards by the ISO Council.

International Standard ISO 7041 was developed by Technical Committee ISO/TC 2, *Fasteners*, and was circulated to the member bodies in December 1981.

It has been approved by the member bodies of the following countries:

| | | |
|---------------------|------------------------|-----------------------|
| Australia | Hungary | Norway |
| Brazil | India | Poland |
| Belgium | Ireland | Romania |
| Canada | Italy | South Africa, Rep. of |
| China | Japan | Spain |
| Czechoslovakia | Korea, Dem. P. Rep. of | Sri Lanka |
| Denmark | Korea, Rep. of | Sweden |
| Egypt, Arab Rep. of | Mexico | Switzerland |
| Finland | Netherlands | USA |
| Germany, F.R. | New Zealand | |

The member bodies of the following countries expressed disapproval of the document on technical grounds:

United Kingdom
USSR

Prevailing torque type hexagon nuts (with non-metallic insert), style 2 — Property classes 9 and 12

iTeh STANDARD PREVIEW
(standards.iteh.ai)

1 Scope and field of application

This International Standard specifies the characteristics of prevailing torque type hexagon nuts, style 2, with non-metallic annular insert and thread sizes from M 5 to M 36 inclusive, in product grades A ($d < M 16$) and B ($d > M 16$), and property classes 9 and 12.

NOTE — The dimensions of the nuts correspond to those given in ISO 4033 plus prevailing torque feature.

If other specifications are required, it is recommended that they should be selected from existing International Standards, for example ISO 261, ISO 898, ISO 965, ISO 2320, ISO 4759/1.

2 References

ISO 225, *Fasteners — Bolts, screws, studs and nuts — Symbols and designations of dimensions.*

ISO 261, *ISO general purpose metric screw threads — General plan.*

ISO 898, *Mechanical properties of fasteners.*

ISO 965, *ISO general purpose metric screw threads — Tolerances.*

ISO 2320, *Prevailing torque type steel hexagon nuts — Mechanical and performance properties.*

ISO 3269, *Fasteners — Acceptance inspection.*¹⁾

ISO 4033, *Hexagon nuts, style 2 — Product grades A and B.*

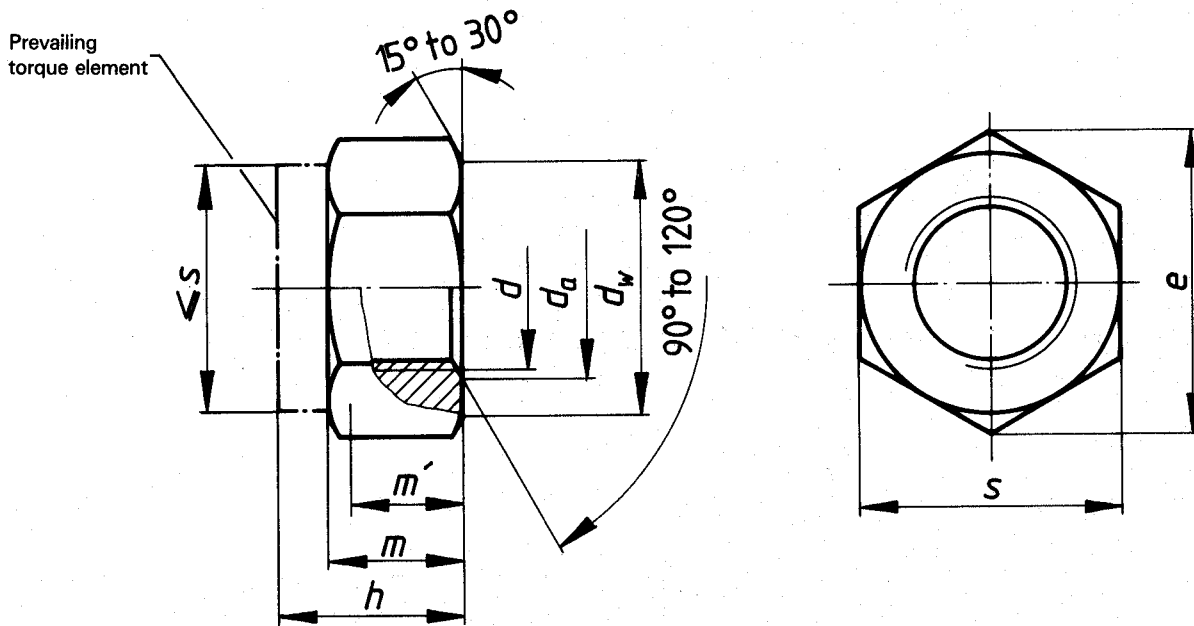
ISO 4042, *Threaded components — Electroplated coatings components.*¹⁾

ISO 4759/1, *Tolerances for fasteners — Part 1: Bolts, screws and nuts with thread diameters $> 1,6$ and < 150 mm and product grades A, B and C.*

¹⁾ At present at the stage of draft.

ISO 7041-1983 (E)

3 Dimensions



iTeh STANDARD PREVIEW
(standards.iteh.ai)

Dimensions in millimetres

| Thread size d | | M 5 | M 6 | M 8 | M 10 | M 12 | M 16 | M 20 | M 24 | M 30 | M 36 |
|--------------------|------|------|-------|-------|-------|-------|-------|-------|-------|-------|-------|
| P ²⁾ | | 0,8 | 1,0 | 1,25 | 1,5 | 1,75 | 2,0 | 2,5 | 3 | 3,5 | 4 |
| d_a | min. | 5 | 6 | 8 | 10 | 12 | 16 | 20 | 24 | 30 | 36 |
| | max. | 5,75 | 6,75 | 8,75 | 10,8 | 13 | 17,3 | 21,6 | 25,9 | 32,4 | 38,9 |
| d_w | min. | 6,9 | 8,9 | 11,6 | 14,6 | 16,6 | 19,6 | 22,5 | 27,7 | 33,2 | 42,7 |
| e | min. | 8,79 | 11,05 | 14,38 | 17,77 | 20,03 | 23,35 | 26,75 | 32,95 | 39,55 | 50,85 |
| h | max. | 7,2 | 8,5 | 10,2 | 12,8 | 16,1 | 18,3 | 20,7 | 25,1 | 29,5 | 35,6 |
| m ³⁾ | min. | 4,8 | 5,4 | 7,14 | 8,94 | 11,57 | 13,4 | 15,7 | 19 | 22,6 | 27,3 |
| m' ⁴⁾ | min. | 2,7 | 3 | 4,3 | 5,6 | 7,7 | 8,9 | 10,5 | 12,7 | 15,1 | 18,2 |
| s | max. | 8 | 10 | 13 | 16 | 18 | 21 | 24 | 30 | 36 | 46 |
| | min. | 7,78 | 9,78 | 12,73 | 15,73 | 17,73 | 20,67 | 23,67 | 29,16 | 35 | 53,8 |

1) The size in brackets should be avoided if possible.

2) P = pitch of the thread.

3) Also minimum thread height.

4) Minimum wrenching height.

4 Specifications and reference International Standards

| | | |
|---|-------------------------|---|
| Nut | Types | NF (normal friction) and LF (low friction) |
| | International Standard | ISO 2320 |
| Material | Nut body | Steel |
| | International Standards | ISO 898/2, ISO 2320 |
| Thread | Tolerance | 6H |
| | International Standards | ISO 261, ISO 965 |
| Mechanical properties | Property class | 9, 12 ($d < M16$) |
| | International Standards | ISO 898/2, ISO 2320 |
| Torque and other requirements¹⁾ | International Standard | ISO 2320 |
| Tolerances | Product grade | For $d < M16$: A For $d > M16$: B |
| | International Standard | ISO 4759/1 |
| Finish | | As processed Requirements for electroplated coatings are covered in ISO 4042. If different electroplating requirements are desired or if requirements are needed for other finishes, they should be negotiated between customer and supplier. |
| Acceptability | | For acceptance procedure, see ISO 3269. |

1) Lubrication is permitted to meet the requirements in ISO 2320.

iTeh STANDARD PREVIEW (standards.iteh.ai)

5 Designation

Example for the designation of a prevailing torque type hexagon nut, with thread size $d = M12$, property class 10 and normal friction (NF) type:

[SIST ISO 7041:1996](https://standards.iteh.ai/catalog/standards/sist/89d97aad-9562-45f3-89fd-892612630003/sist-iso-7041-1996)

[https://standards.iteh.ai/catalog/standards/sist/89d97aad-9562-45f3-89fd-](https://standards.iteh.ai/catalog/standards/sist/89d97aad-9562-45f3-89fd-892612630003/sist-iso-7041-1996)

Prevailing torque type hexagon nut **ISO 7041 - M12 - 10 - NF**