

INTERNATIONAL  
STANDARD

**ISO**  
**7047**

Second edition  
1994-04-01

---

---

**Countersunk raised head screws (common  
head style) with type H or type Z cross  
recess — Product grade A**

**iTeh STANDARD PREVIEW**

*Vis à métaux à tête fraisée bombée à empreinte cruciforme de type H ou  
de type Z — Grade A*

ISO 7047:1994

<https://standards.itih.ai/catalog/standards/sist/4f14f85f-cf29-4e57-aec3-a8c5cba1d8d8/iso-7047-1994>

INTERNATIONAL

**ISO**



Reference number  
ISO 7047:1994(E)

## Foreword

ISO (the International Organization for Standardization) is a worldwide federation of national standards bodies (ISO member bodies). The work of preparing International Standards is normally carried out through ISO technical committees. Each member body interested in a subject for which a technical committee has been established has the right to be represented on that committee. International organizations, governmental and non-governmental, in liaison with ISO, also take part in the work. ISO collaborates closely with the International Electrotechnical Commission (IEC) on all matters of electrotechnical standardization.

Draft International Standards adopted by the technical committees are circulated to the member bodies for voting. Publication as an International Standard requires approval by at least 75 % of the member bodies casting a vote.

International Standard ISO 7047 was prepared by Technical Committee ISO/TC 2, *Fasteners*.

This second edition cancels and replaces the first edition (ISO 7047:1983), which has been technically revised.

© ISO 1994

All rights reserved. Unless otherwise specified, no part of this publication may be reproduced or utilized in any form or by any means, electronic or mechanical, including photocopying and microfilm, without permission in writing from the publisher.

International Organization for Standardization  
Case Postale 56 • CH-1211 Genève 20 • Switzerland

Printed in Switzerland

# Countersunk raised head screws (common head style) with type H or type Z cross recess — Product grade A

## 1 Scope

This International Standard specifies the characteristics of countersunk raised head screws of product grade A, with threads from M1,6 to M10 inclusive and with type H or type Z cross recess.

If, in special cases, specifications other than those listed in this International Standard are required, they should be selected from existing International Standards, for example ISO 261, ISO 888, ISO 898-1, ISO 965-2 and ISO 3506.

**iTeh STANDARD PREVIEW**  
(standards.iteh.ai)

## 2 Normative references

The following standards contain provisions which, through reference in this text, constitute provisions of this International Standard. At the time of publication, the editions indicated were valid. All standards are subject to revision, and parties to agreements based on this International Standard are encouraged to investigate the possibility of applying the most recent editions of the standards indicated below. Members of IEC and ISO maintain registers of currently valid International Standards.

ISO 225:1983, *Fasteners — Bolts, screws, studs and nuts — Symbols and designations of dimensions.*

ISO 261:1973, *ISO general purpose metric screw threads — General plan.*

ISO 888:1976, *Bolts, screws and studs — Nominal lengths, and thread lengths for general purpose bolts.*

ISO 898-1:1988, *Mechanical properties of fasteners — Part 1: Bolts, screws and studs.*

ISO 965-2:1980, *ISO general purpose metric screw threads — Tolerances — Part 2: Limits of sizes for general purpose bolt and nut threads — Medium quality.*

ISO 3269:1988, *Fasteners — Acceptance inspection.*

ISO 3506:1979, *Corrosion-resistant stainless steel fasteners — Specifications.*

ISO 4042:1989, *Threaded components — Electroplated coatings.*

ISO 4757:1983, *Cross recesses for screws.*

ISO 4759-1:1978, *Tolerances for fasteners — Part 1: Bolts, screws and nuts with thread diameters between 1,6 (inclusive) and 150 mm (inclusive) and product grades A, B and C.*

ISO 6157-1:1988, *Fasteners — Surface discontinuities — Part 1: Bolts, screws and studs for general requirements.*

ISO 7721:1983, *Countersunk head screws — Head configuration and gauging.*

ISO 8839:1986, *Mechanical properties of fasteners — Bolts, screws, studs and nuts made of non-ferrous metals.*

ISO 8992:1986, *Fasteners — General requirements for bolts, screws, studs and nuts.*

### 3 Dimensions

See figure 1 and table 1.

The shank diameter is approximately equal to the pitch diameter or equal to the major thread diameter permissible.

NOTE 1 Symbols and designations of dimensions are specified in ISO 225.

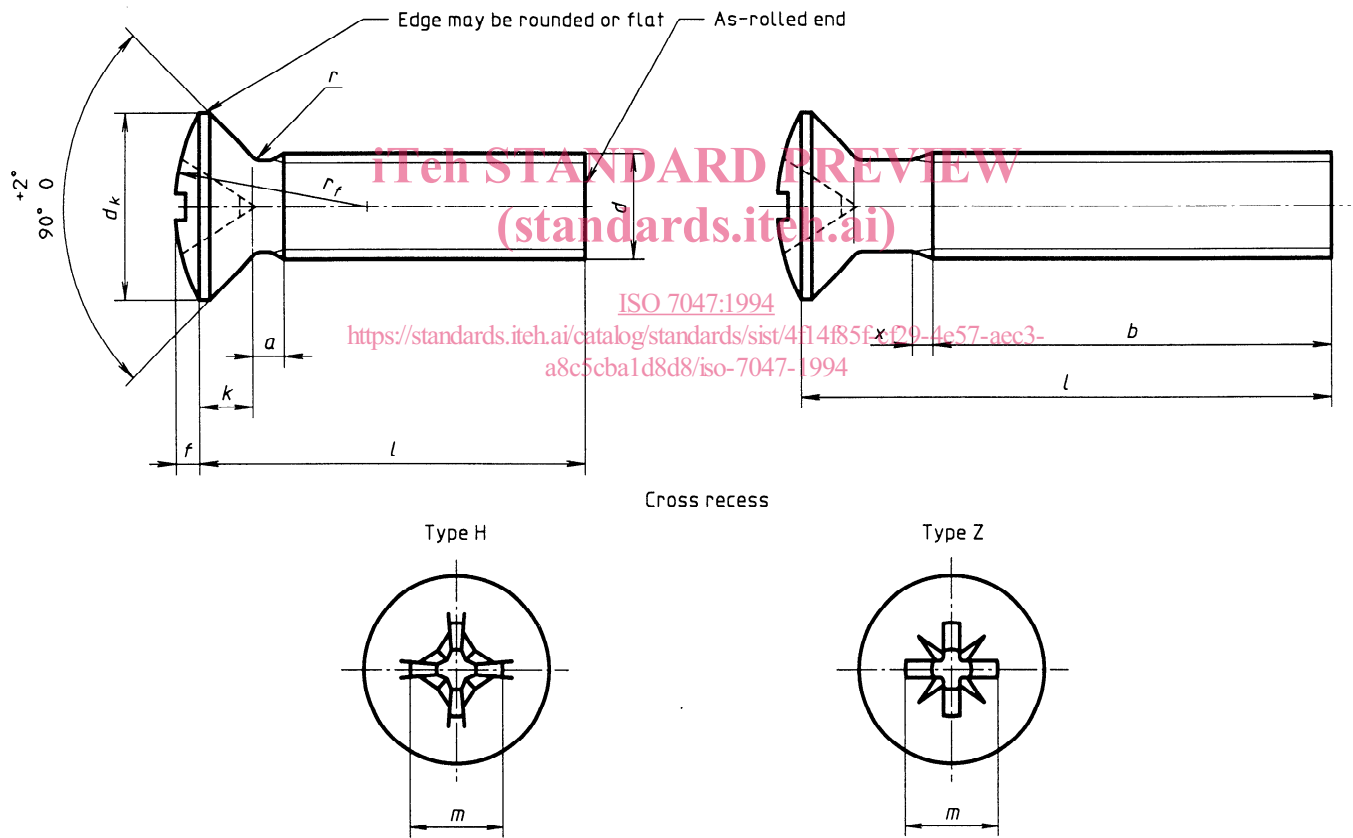


Figure 1

Table 1

Dimensions in millimetres

Thread ( <i>d</i> )		M1,6	M2	M2,5	M3	(M3,5) <sup>1)</sup>	M4	M5	M6	M8	M10		
<i>P</i> <sup>2)</sup>		0,35	0,4	0,45	0,5	0,6	0,7	0,8	1	1,25	1,5		
<i>a</i>	max.	0,7	0,8	0,9	1	1,2	1,4	1,6	2	2,5	3		
<i>b</i>	min.	25	25	25	25	38	38	38	38	38	38		
<i>d<sub>k</sub></i> <sup>3)</sup>	theoretical	max.	3,6	4,4	5,5	6,3	8,2	9,4	10,4	12,6	17,3	20	
	actual	nom. = max.	3,0	3,8	4,7	5,5	7,30	8,40	9,30	11,30	15,80	18,30	
		min.	2,7	3,5	4,4	5,2	6,94	8,04	8,94	10,87	15,37	17,78	
<i>f</i>	≈	0,4	0,5	0,6	0,7	0,8	1	1,2	1,4	2	2,3		
<i>k</i> <sup>3)</sup>	nom. = max.	1	1,2	1,5	1,65	2,35	2,7	2,7	3,3	4,65	5		
<i>r</i>	max.	0,4	0,5	0,6	0,8	0,9	1	1,3	1,5	2	2,5		
<i>r<sub>f</sub></i>	≈	3	4	5	6	8,5	9,5	9,5	12	16,5	19,5		
<i>x</i>	max.	0,9	1	1,1	1,25	1,5	1,75	2	2,5	3,2	3,8		
Cross recess	Recess	No.	0			1		2		3	4		
		<i>m</i>	ref.	1,9	2	3	3,4	4,8	5,2	5,4	7,3	9,6	10,4
	Type H	Penetration	max.	1,2	1,5	1,85	2,2	2,75	3,2	3,4	4,0	5,25	6,0
			min.	0,9	1,2	1,50	1,8	2,25	2,7	2,9	3,5	4,75	5,5
	Type Z	Penetration	max.	1,20	1,40	1,75	2,08	2,70	3,10	3,35	3,85	5,20	6,05
			min.	0,95	1,15	1,50	1,83	2,25	2,65	2,90	3,40	4,75	5,60
	nom.	<sup>1), 4)</sup> min.	max.	Approximate mass, in kilograms per 1 000 pieces ( $\rho = 7,85 \text{ kg/dm}^3$ ) (for information only)									
	<b>3</b>	2,8	3,2	0,067	0,119	0,212							
<b>4</b>	3,76	4,24	0,078	0,138	0,242	0,351							
<b>5</b>	4,76	5,24	0,09	0,156	0,272	0,395	0,669	0,99					
<b>6</b>	5,76	6,24	0,102	0,175	0,302	0,439	0,729	1,07	1,49				
<b>8</b>	7,71	8,29	0,125	0,212	0,362	0,527	0,849	1,23	1,73	2,79			
<b>10</b>	9,71	10,29	0,145	0,249	0,422	0,615	0,969	1,39	1,97	3,14	6,89		
<b>12</b>	11,65	12,35	0,165	0,287	0,482	0,703	1,09	1,54	2,21	3,49	7,53	11,4	
<b>(14)</b>	13,65	14,35	0,185	0,325	0,543	0,791	1,21	1,7	2,45	3,84	8,17	12,5	
<b>16</b>	15,65	16,35	0,205	0,362	0,603	0,879	1,33	1,85	2,69	4,19	8,81	13,5	
<b>20</b>	19,58	20,42		0,436	0,723	1,06	1,57	2,17	3,17	4,89	10,1	15,5	
<b>25</b>	24,58	25,42			0,874	1,28	1,87	2,56	3,77	5,77	11,7	18	
<b>30</b>	29,58	30,42				1,5	2,17	2,95	4,37	6,64	13,3	20,6	
<b>35</b>	34,5	35,5					2,47	3,34	4,97	7,52	14,9	23,1	
<b>40</b>	39,5	40,5						3,73	5,57	8,39	16,5	25,6	
<b>45</b>	44,5	45,5							6,16	9,27	18,1	28,1	
<b>50</b>	49,5	50,5							6,76	10,1	19,7	30,7	
<b>(55)</b>	54,05	55,95								11	21,3	33,2	
<b>60</b>	59,05	60,95								11,9	22,9	35,7	

NOTE — Commercial lengths are those between the stepped, continuous, bold lines.

- Sizes in parentheses should be avoided if possible.
- $P$  = pitch of the thread
- See ISO 7721.
- Screws with nominal lengths above the bold dotted line are threaded up to the head;  $b = l - (k + a)$ .

## 4 Specifications and reference International Standards

See table 2.

**Table 2**

Material		Steel	Stainless steel	Non-ferrous metal
<b>General requirements</b>	International Standard	ISO 8992		
<b>Thread</b>	Tolerance	6g		
	International Standards	ISO 261, ISO 965-2		
<b>Mechanical properties</b>	Property class	4.8	A2-50, A2-70	...
	International Standards	ISO 898-1	ISO 3506	ISO 8839
<b>Tolerances</b>	Product grade	A		
	International Standard	ISO 4759-1		
<b>Cross recesses</b>	International Standard	ISO 4757		
<b>Finish</b>		Plain Requirements for electroplating are covered in ISO 4042. If different electroplating requirements are desired or if requirements are needed for other finishes, they shall be agreed between customer and supplier. Limits for surface discontinuities are covered in ISO 6157-1.		
<b>Acceptability</b>		Acceptance procedure is covered in ISO 3269.		

## 5 Designation

Example of designation: A cross-recessed countersunk raised head screw with thread M5, nominal length  $l = 20$  mm, property class 4.8 and cross recess type Z is designated as follows:

**Countersunk raised head screw ISO 7047 - M5 × 20 - 4.8 - Z**

**iTeh STANDARD PREVIEW**  
This page intentionally left blank  
**(standards.iteh.ai)**

[ISO 7047:1994](#)

<https://standards.iteh.ai/catalog/standards/sist/4f14f85f-cf29-4e57-aec3-a8c5cba1d8d8/iso-7047-1994>

## iTeh STANDARD PREVIEW (standards.iteh.ai)

[ISO 7047:1994](#)

<https://standards.iteh.ai/catalog/standards/sist/4f14f85f-cf29-4e57-aec3-a8c5cba1d8d8/iso-7047-1994>

---

---

### ICS 21.060.10

**Descriptors:** fasteners, screws, cross recessed screws, raised head screws, countersunk head screws, specifications, dimensions, designation.

Price based on 4 pages

---

---