

International Standard



7072

INTERNATIONAL ORGANIZATION FOR STANDARDIZATION • МЕЖДУНАРОДНАЯ ОРГАНИЗАЦИЯ ПО СТАНДАРТИЗАЦИИ • ORGANISATION INTERNATIONALE DE NORMALISATION

Agricultural wheeled tractors — Three-point-linkage — Linch pins — Dimensions

Tracteurs agricoles à roues — Attelages trois points — Goupilles d'attelage — Dimensions

First edition — 1982-02-15

iTeh STANDARD PREVIEW
(standards.iteh.ai)

[ISO 7072:1982](#)

<https://standards.iteh.ai/catalog/standards/sist/933c334c-e521-41e7-8489-21957cc91e65/iso-7072-1982>

UDC 631.372 : 629.028

Ref. No. ISO 7072-1982 (E)

Descriptors : agricultural machinery, tractors, vehicle wheels, linchpin, dimensions.

Foreword

ISO (the International Organization for Standardization) is a worldwide federation of national standards institutes (ISO member bodies). The work of developing International Standards is carried out through ISO technical committees. Every member body interested in a subject for which a technical committee has been set up has the right to be represented on that committee. International organizations, governmental and non-governmental, in liaison with ISO, also take part in the work.

Draft International Standards adopted by the technical committees are circulated to the member bodies for approval before their acceptance as International Standards by the ISO Council.

International Standard ISO 7072 was developed by Technical Committee ISO/TC 23, *Tractors and machinery for agriculture and forestry*, and was circulated to the member bodies in April 1980.

It has been approved by the member bodies of the following countries :

Australia	France	Portugal
Austria	Germany, F. R.	Romania
Belgium	India	South Africa, Rep. of
Bulgaria	Italy	Spain
China	Korea, Dem. P. Rep. of	Sweden
Czechoslovakia	Korea Rep. of	Switzerland
Egypt, Arab Rep. of	Poland	USSR

The member bodies of the following countries expressed disapproval of the document on technical grounds :

Canada	United Kingdom
Denmark	USA
Finland	

Agricultural wheeled tractors — Three-point-linkage — Linch pins — Dimensions

iTeh STANDARD PREVIEW
(standards.iteh.ai)

1 Scope and field of application

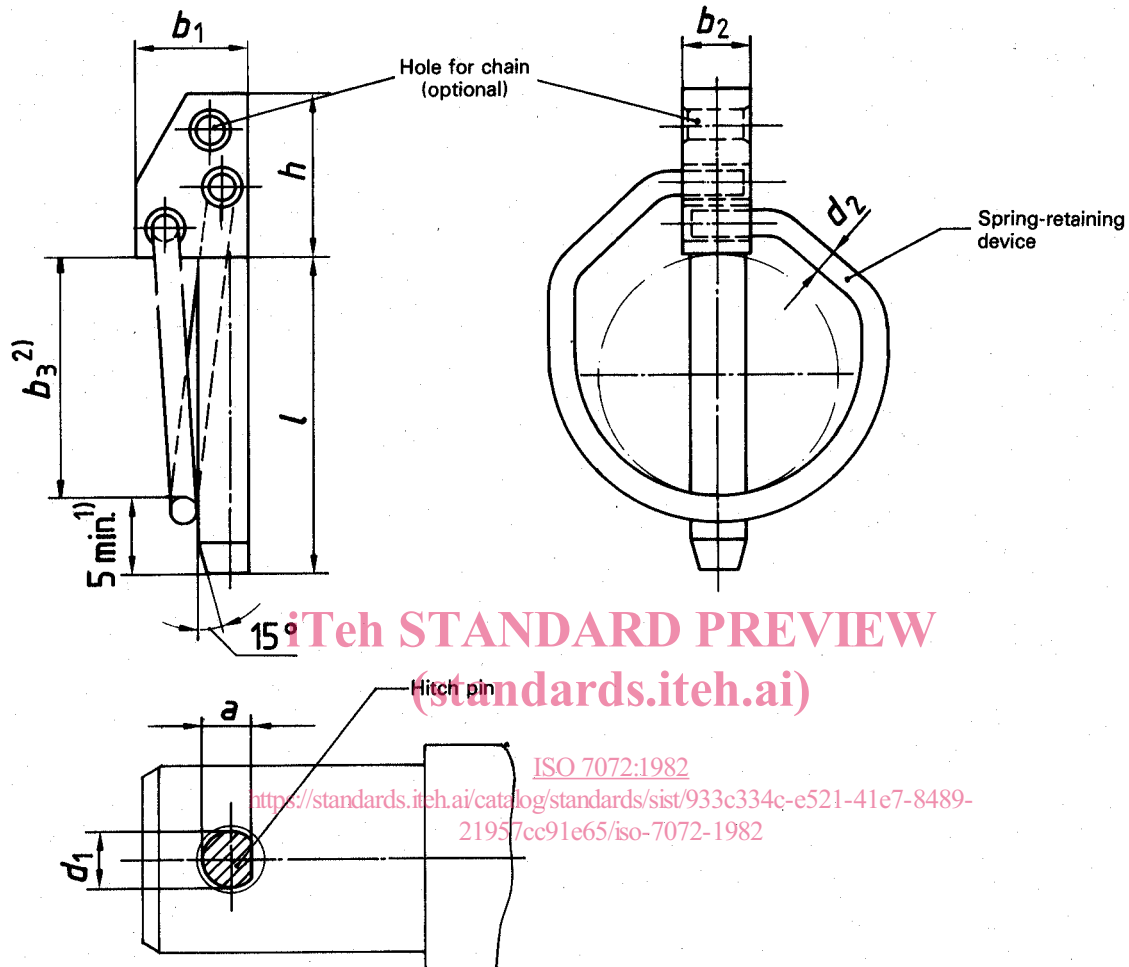
This International Standard specifies the dimensions of linch pins used for retaining in position the articulated connections of three-point-linkage complying with ISO 730/1 and ISO 730/2.

2 References

- ISO 730/1, *Agricultural wheeled tractors — Three-point-linkage — Part 1: Categories 1, 2 and 3.*
- ISO 730/2, *Agricultural wheeled tractors — Three-point-linkage — Part 2: Category 1 N (narrow hitch).*

3 Dimensions

The dimensions of the linch pin shall be as shown in the figure.



- 1) It is assumed that the linch pin projects at least 5 mm in each mounting position.
- 2) The spring-retaining device shall be capable of passing over the hitch pin.

Dimensions in millimetres

Nominal size	d_1 $\pm 0,5$	d_2 min.	a min.	b_1 max.	b_2 max.	h max.	l ± 1	b_3 min.
12 × 45	11	3,6	9	15	14	22	45	35
12 × 55	11	4	9	15	14	22	55	47
17 × 60	16		12,5	21	20	29	60	47

NOTE — The purpose of the spring-retaining device is to prevent the linch pin falling out of the hitch pin hole. It is necessary, therefore, to pre-stress the bridle so that it lays against the linch pin.

Figure — Dimensions of linch pin