

TC 22

# International Standard



# 7310

INTERNATIONAL ORGANIZATION FOR STANDARDIZATION • МЕЖДУНАРОДНАЯ ОРГАНИЗАЦИЯ ПО СТАНДАРТИЗАЦИИ • ORGANISATION INTERNATIONALE DE NORMALISATION

## Road vehicles — Compression ignition engines — Heads for spin-on fuel filters with horizontal flange — Mounting and connecting dimensions

*Véhicules routiers — Moteurs à combustion interne à allumage par compression — Têtes pour filtres à combustible vissés à bride horizontale — Dimensions de montage et de raccordement*

ITEH STANDARD PREVIEW

First edition — 1984-12-15

(standards.iteh.ai)

ISO 7310:1984

<https://standards.iteh.ai/catalog/standards/sist/45d28336-9874-4237-890c-d4957e6efe78/iso-7310-1984>

UDC 621.43.038.772 : 621.643.412

Ref. No. ISO 7310-1984 (E)

Descriptors : road vehicles, diesel engines, fuel filters, flange connections, dimensions, connecting dimensions.

Price based on 6 pages

ISO 7310-1984 (E)

## Foreword

ISO (the International Organization for Standardization) is a worldwide federation of national standards bodies (ISO member bodies). The work of preparing International Standards is normally carried out through ISO technical committees. Each member body interested in a subject for which a technical committee has been established has the right to be represented on that committee. International organizations, governmental and non-governmental, in liaison with ISO, also take part in the work.

Draft International Standards adopted by the technical committees are circulated to the member bodies for approval before their acceptance as International Standards by the ISO Council. They are approved in accordance with ISO procedures requiring at least 75 % approval by the member bodies voting.

International Standard ISO 7310 was prepared by Technical Committee ISO/TC 22, *Road vehicles*.

**iTeh STANDARD PREVIEW**  
**(standards.iteh.ai)**

ISO 7310:1984

<https://standards.iteh.ai/catalog/standards/sist/45d28336-9874-4237-890c-d4957e6efe78/iso-7310-1984>

# Road vehicles — Compression ignition engines — Heads for spin-on fuel filters with horizontal flange — Mounting and connecting dimensions

## 0 Introduction

This International Standard is one of a series of International Standards dealing with heads for fuel filters for compression ignition engines. The others in the series are the following :

ISO 7311, *Road vehicles — Compression ignition engines — Heads for fuel filters with vertical flange — Mounting and connecting dimensions.*

ISO 7577, *Road vehicles — Heads for fuel filters with vertical flange and three bolt fixing for compression ignition engines — Mounting and connecting dimensions.*

<https://standards.iteh.ai/catalog/standards/sist/45d28336-9874-4237-890c-d4957e6efe78/iso-7310-1984>

## 1 Scope and field of application

This International Standard specifies the mounting and connecting dimensions for heads for spin-on fuel filters, intended for compression ignition (diesel) engines.

## 2 Dimensions and tolerances

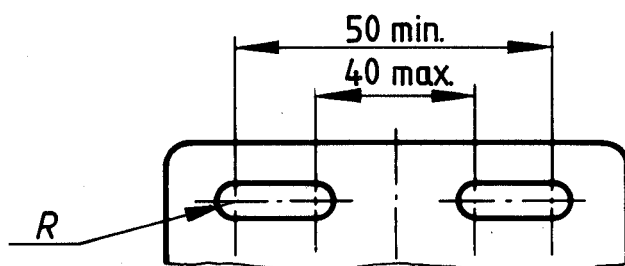
NOTE — The current thread size for fitment of spin-on filters is M16 × 1,5.

### 2.1 Fixing bolt holes of flanges for single and double filters

See figure 1.

NOTE — Engine manufacturers are encouraged in future to apply a centre-to-centre distance of fixing holes or fixing bolts of  $45 \pm 0,5$  mm.

Dimensions in millimetres



Type	$R \pm 0,2$	
For single filters	5,3	6,5
For double filters	6,5	

Figure 1

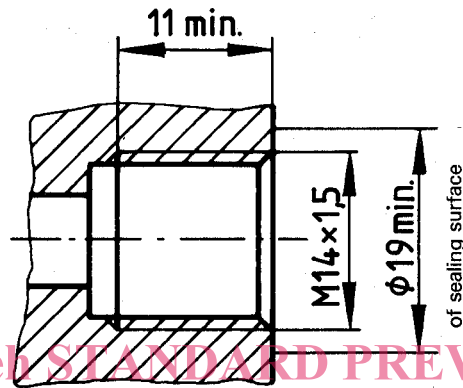
## 2.2 Filter inlet and outlet ports

### 2.2.1 For outside sealing

See figure 2.

NOTE — Vent threads and overflow valves are left to the manufacturer's choice.

Dimensions in millimetres



iTeh STANDARD PREVIEW  
(standards.iteh.ai)

Figure 2

ISO 7310:1984

<https://standards.iteh.ai/catalog/standards/sist/45d28336-9874-4237-890c-d4957e6efe78/iso-7310-1984>

2.2.2 For internal sealing

See figure 3.

NOTE — Vent threads and overflow valves are left to the manufacturer's choice.

Dimensions in millimetres

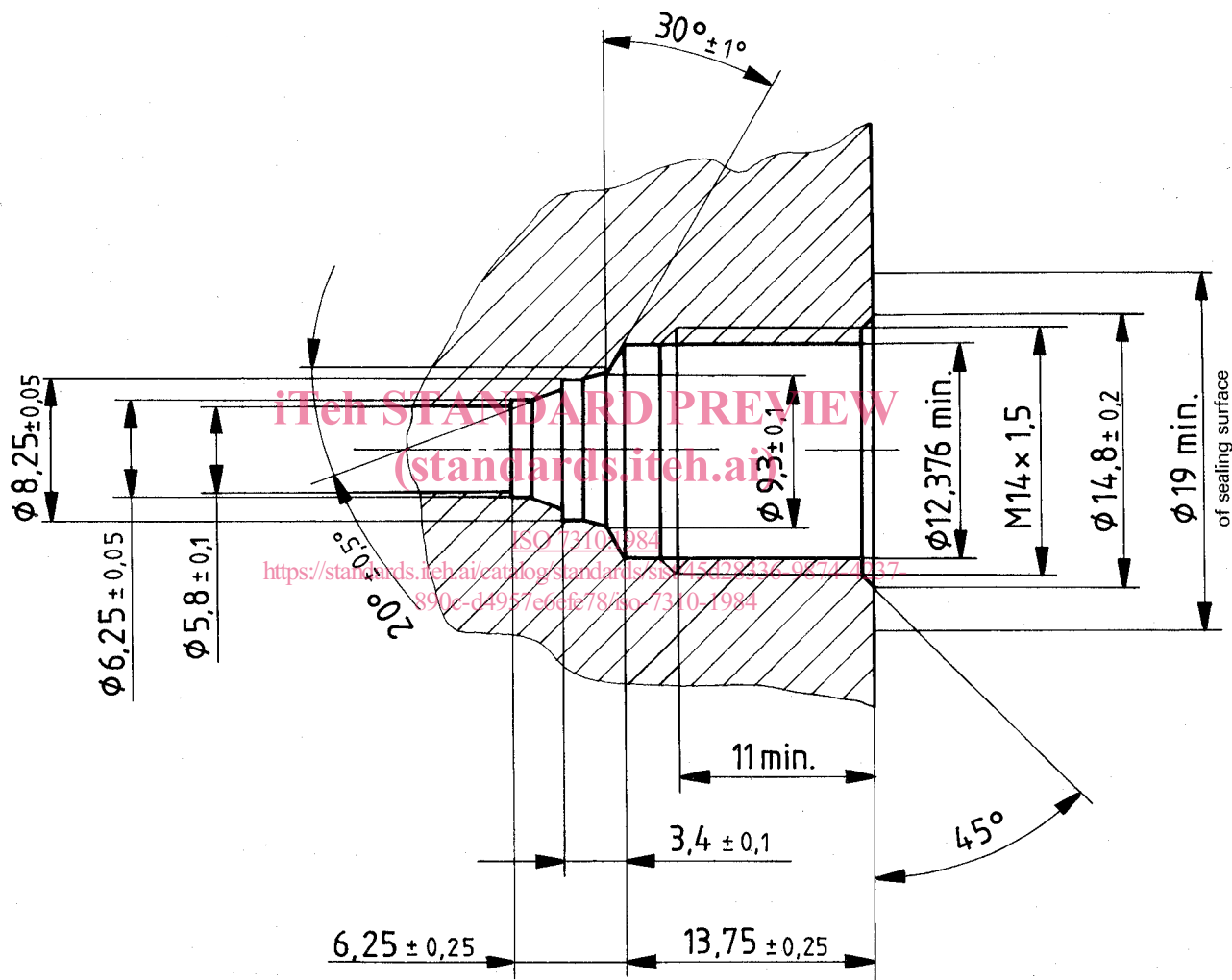


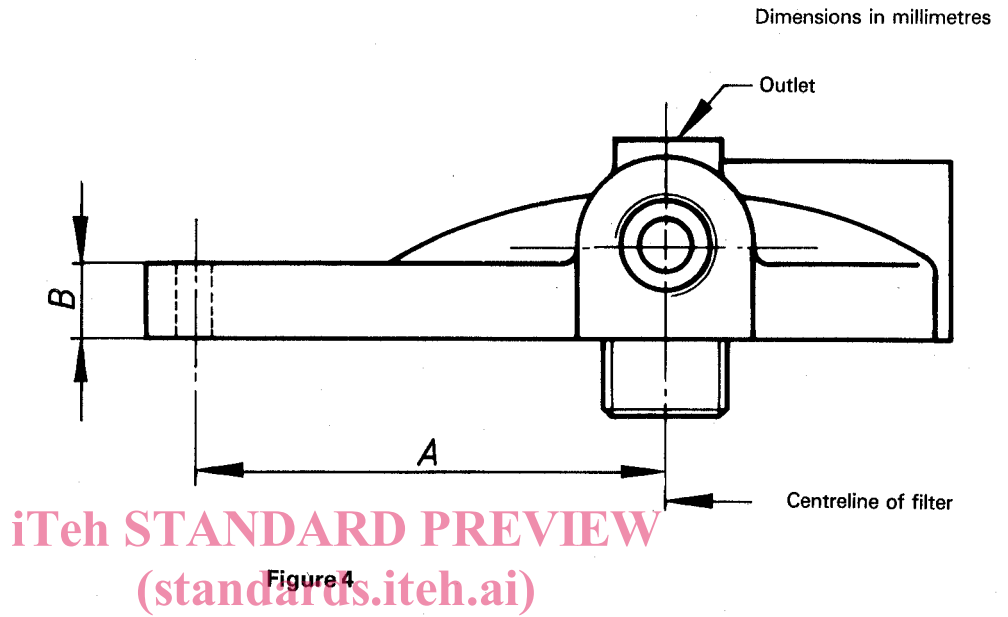
Figure 3

2.3 Positioning of inlet and outlet ports relative to the centreline of the fixing bolt holes of the flange

2.3.1 Single filters with vertical outlet and three horizontal ports

See figure 4.

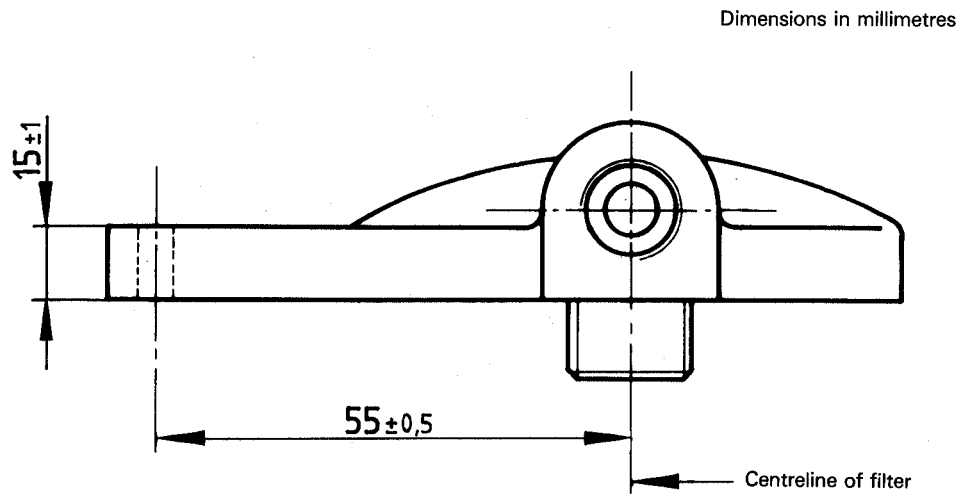
Dimension	
A	B
$55 \pm 0,5$	$11 \pm 2$
$65 \pm 1$	$11 \pm 2$



ISO 7310:1984

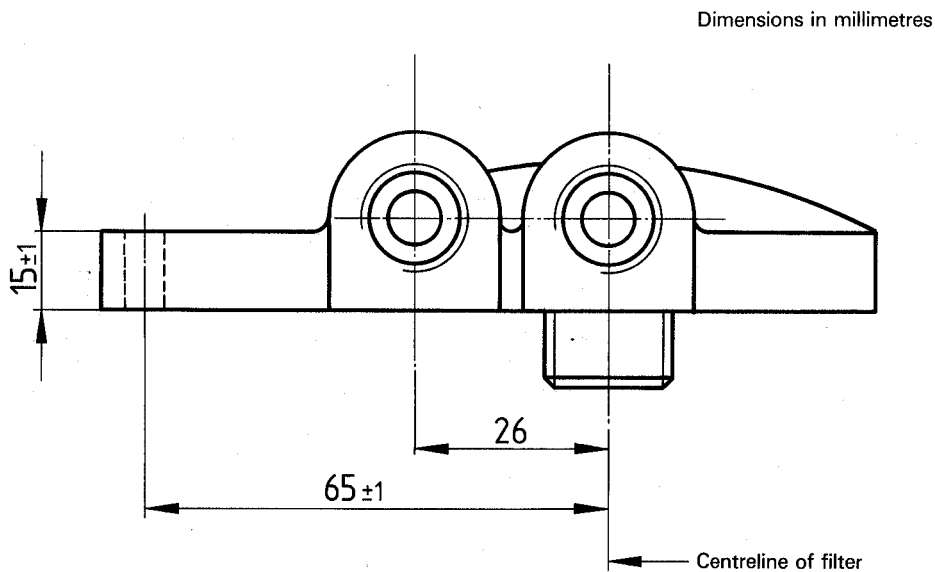
2.3.2 Double filters with two horizontal ports [standards.iteh.ai/catalog/standards/sist/45d28336-9874-4237-890c-d4957e6efb78/iso-7310-1984](https://standards.iteh.ai/catalog/standards/sist/45d28336-9874-4237-890c-d4957e6efb78/iso-7310-1984)

See figure 5.



2.3.3 Double filters with four horizontal ports

See figure 6.



**Figure 6**  
**iTeh STANDARD PREVIEW**  
**(standards.iteh.ai)**

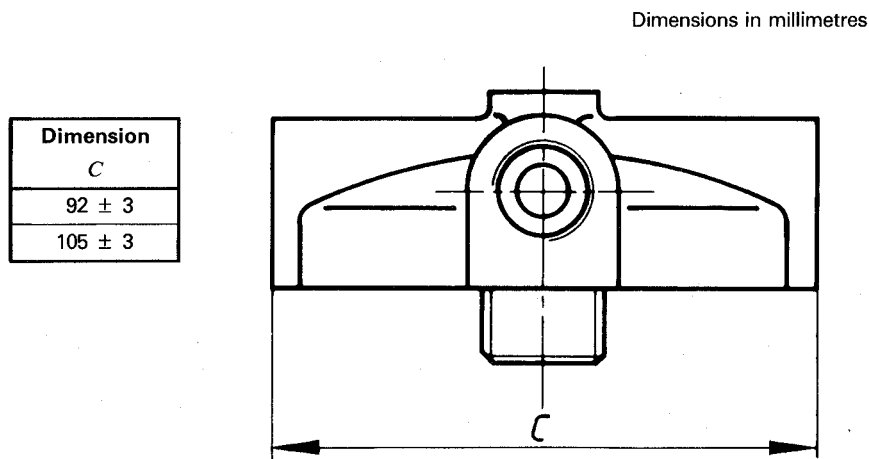
2.4 Overall dimensions between the sealing surfaces of the horizontal ports

ISO 7310:1984

2.4.1 Single filters

<https://standards.iteh.ai/catalog/standards/sist/45d28336-9874-4237-890c-d4957e6efe78/iso-7310-1984>

See figure 7.



**Figure 7**

2.4.2 Double filters

See figure 8.

Dimensions in millimetres

Dimension	
<i>D</i>	<i>E</i>
$90 \pm 1$	$177 \pm 1$
$97 \pm 3$	$190 \begin{smallmatrix} +5 \\ -2 \end{smallmatrix}$

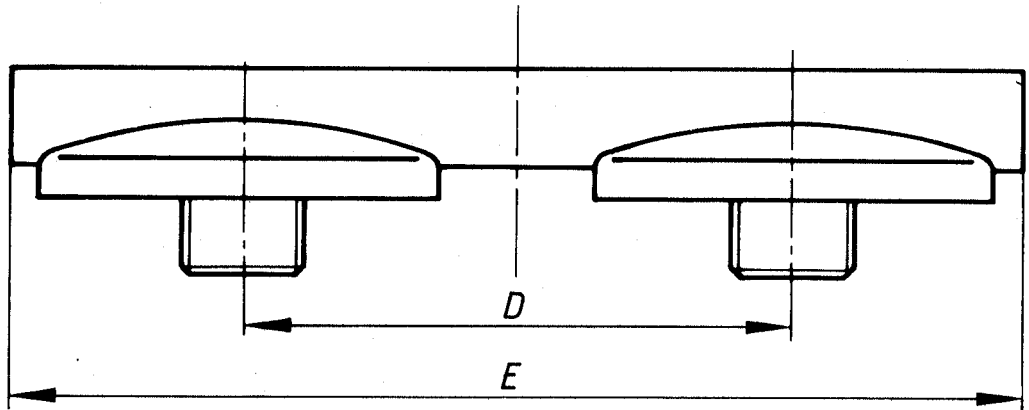


Figure 8

**iTeh STANDARD PREVIEW**  
**(standards.iteh.ai)**

ISO 7310:1984

<https://standards.iteh.ai/catalog/standards/sist/45d28336-9874-4237-890c-d4957e6ef8/iso-7310-1984>