

INTERNATIONAL STANDARD

NORME INTERNATIONALE

**Medical electrical equipment –
Part 1-10: General requirements for basic safety and essential performance –
Collateral Standard: Requirements for the development of physiologic
closed-loop controllers**

[IEC 60601-1-10:2007](https://standards.iteh.ai/catalog/standards/sist/fa2a9d46-e0ad-4bd5-96bd-57ec84fb1cfc/iec-60601-1-10-2007)

**Appareils électromédicaux –
Partie 1-10: Exigences générales pour la sécurité de base et les performances
essentielles – Norme collatérale: Exigences pour le développement des
régulateurs physiologiques en boucle fermée**

<https://standards.iteh.ai/catalog/standards/sist/fa2a9d46-e0ad-4bd5-96bd-57ec84fb1cfc/iec-60601-1-10-2007>



THIS PUBLICATION IS COPYRIGHT PROTECTED

Copyright © 2007 IEC, Geneva, Switzerland

All rights reserved. Unless otherwise specified, no part of this publication may be reproduced or utilized in any form or by any means, electronic or mechanical, including photocopying and microfilm, without permission in writing from either IEC or IEC's member National Committee in the country of the requester.

If you have any questions about IEC copyright or have an enquiry about obtaining additional rights to this publication, please contact the address below or your local IEC member National Committee for further information.

Droits de reproduction réservés. Sauf indication contraire, aucune partie de cette publication ne peut être reproduite ni utilisée sous quelque forme que ce soit et par aucun procédé, électronique ou mécanique, y compris la photocopie et les microfilms, sans l'accord écrit de la CEI ou du Comité national de la CEI du pays du demandeur.

Si vous avez des questions sur le copyright de la CEI ou si vous désirez obtenir des droits supplémentaires sur cette publication, utilisez les coordonnées ci-après ou contactez le Comité national de la CEI de votre pays de résidence.

IEC Central Office
3, rue de Varembe
CH-1211 Geneva 20
Switzerland
Email: inmail@iec.ch
Web: www.iec.ch

About the IEC

The International Electrotechnical Commission (IEC) is the leading global organization that prepares and publishes International Standards for all electrical, electronic and related technologies.

About IEC publications

The technical content of IEC publications is kept under constant review by the IEC. Please make sure that you have the latest edition, a corrigenda or an amendment might have been published.

- Catalogue of IEC publications: www.iec.ch/searchpub

The IEC on-line Catalogue enables you to search by a variety of criteria (reference number, text, technical committee,...). It also gives information on projects, withdrawn and replaced publications.

- IEC Just Published: www.iec.ch/online_news/justpub

Stay up to date on all new IEC publications. Just Published details twice a month all new publications released. Available on-line and also by email.

[IEC 60601-1-10:2007](#)

- Electropedia: www.electropedia.org

The world's leading online dictionary of electronic and electrical terms containing more than 20 000 terms and definitions in English and French, with equivalent terms in additional languages. Also known as the International Electrotechnical Vocabulary online.

- Customer Service Centre: www.iec.ch/webstore/custserv

If you wish to give us your feedback on this publication or need further assistance, please visit the Customer Service Centre FAQ or contact us:

Email: csc@iec.ch
Tel.: +41 22 919 02 11
Fax: +41 22 919 03 00

A propos de la CEI

La Commission Electrotechnique Internationale (CEI) est la première organisation mondiale qui élabore et publie des normes internationales pour tout ce qui a trait à l'électricité, à l'électronique et aux technologies apparentées.

A propos des publications CEI

Le contenu technique des publications de la CEI est constamment revu. Veuillez vous assurer que vous possédez l'édition la plus récente, un corrigendum ou amendement peut avoir été publié.

- Catalogue des publications de la CEI: www.iec.ch/searchpub/cur_fut-f.htm

Le Catalogue en-ligne de la CEI vous permet d'effectuer des recherches en utilisant différents critères (numéro de référence, texte, comité d'études,...). Il donne aussi des informations sur les projets et les publications retirées ou remplacées.

- Just Published CEI: www.iec.ch/online_news/justpub

Restez informé sur les nouvelles publications de la CEI. Just Published détaille deux fois par mois les nouvelles publications parues. Disponible en-ligne et aussi par email.

- Electropedia: www.electropedia.org

Le premier dictionnaire en ligne au monde de termes électroniques et électriques. Il contient plus de 20 000 termes et définitions en anglais et en français, ainsi que les termes équivalents dans les langues additionnelles. Egalement appelé Vocabulaire Electrotechnique International en ligne.

- Service Clients: www.iec.ch/webstore/custserv/custserv_entry-f.htm

Si vous désirez nous donner des commentaires sur cette publication ou si vous avez des questions, visitez le FAQ du Service clients ou contactez-nous:

Email: csc@iec.ch
Tél.: +41 22 919 02 11
Fax: +41 22 919 03 00

INTERNATIONAL STANDARD

NORME INTERNATIONALE

Medical electrical equipment –
Part 1-10: General requirements for basic safety and essential performance –
Collateral Standard: Requirements for the development of physiologic
closed-loop controllers

[IEC 60601-1-10:2007](https://standards.iteh.ai/catalog/standards/sist/fa2a9d46-e0ad-4bd5-96bd-87ec84fb1cfc/iec-60601-1-10-2007)

[https://standards.iteh.ai/catalog/standards/sist/fa2a9d46-e0ad-4bd5-96bd-](https://standards.iteh.ai/catalog/standards/sist/fa2a9d46-e0ad-4bd5-96bd-87ec84fb1cfc/iec-60601-1-10-2007)

Appareils électromédicaux –

Partie 1-10: Exigences générales pour la sécurité de base et les performances
essentiels – Norme collatérale: Exigences pour le développement des
régulateurs physiologiques en boucle fermée

INTERNATIONAL
ELECTROTECHNICAL
COMMISSION

COMMISSION
ELECTROTECHNIQUE
INTERNATIONALE

CONTENTS

FOREWORD.....4

INTRODUCTION.....7

1 Scope, object and related standards.....8

 1.1 * Scope8

 1.2 Object8

 1.3 Related standards8

 1.3.1 IEC 60601-18

 1.3.2 Particular standards9

2 Normative references9

3 Terms and definitions9

4 * General requirements14

5 ME EQUIPMENT identification, marking and documents14

 5.1 * Instructions for use14

 5.2 Technical description.....15

6 Accuracy of controls and instruments and protection against hazardous outputs15

 6.1 * USABILITY15

 6.2 ALARM SYSTEMS15

 6.3 * PCLCS VARIABLE logging15

 6.4 * DISTRIBUTED PCLCS16

7 * PROGRAMMABLE ELECTRICAL MEDICAL SYSTEMS (PEMS)16

8 Requirements for PHYSIOLOGIC CLOSED-LOOP CONTROLLER (PCLC) development.....16

 8.1 * General.....16

 8.2 Attributes/activities of the PCLC development PROCESS17

 8.2.1 RECORDS and PROCESS scaling17

 8.2.2 Equipment specifications17

 8.2.3 * Disturbance management.....20

 8.2.4 * PCLC VERIFICATION21

 8.2.5 * PCLCS VALIDATION21

Annex A (informative) General guidance and rationale.....22

Annex B (informative) Description of dynamic performance of a PCLCS32

Annex C (informative) Guide to marking and labelling requirements for ME EQUIPMENT and ME SYSTEMS.....36

Bibliography.....37

Index of defined terms used in this collateral standard38

Figure 1 – Functional diagram indicating typical components of a PHYSIOLOGIC CLOSED-LOOP CONTROL SYSTEM (PCLCS) utilizing a PCLC10

Figure B.1 – Example of PCLCS dynamic performance with no STEADY-STATE DEVIATION33

Figure B.2 – Example of PCLCS dynamic performance with STEADY-STATE DEVIATION.....34

Figure B.3 – Example of PCLCS dynamic performance transient COMMAND VARIABLE.....35

Table A.1 – Examples of ME EQUIPMENT or ME SYSTEMS that incorporate a PCLCS	22
Table C.2 – ACCOMPANYING DOCUMENTS, instructions for use.....	36
Table C.3 – ACCOMPANYING DOCUMENTS, technical description	36

iTeh STANDARD PREVIEW
(standards.iteh.ai)

[IEC 60601-1-10:2007](https://standards.iteh.ai/catalog/standards/sist/fa2a9d46-e0ad-4bd5-96bd-87ec84fb1cfc/iec-60601-1-10-2007)

<https://standards.iteh.ai/catalog/standards/sist/fa2a9d46-e0ad-4bd5-96bd-87ec84fb1cfc/iec-60601-1-10-2007>

INTERNATIONAL ELECTROTECHNICAL COMMISSION

MEDICAL ELECTRICAL EQUIPMENT –

**Part 1-10: General requirements for basic safety
and essential performance –
Collateral Standard:
Requirements for the development of
physiologic closed-loop controllers**

FOREWORD

- 1) The International Electrotechnical Commission (IEC) is a worldwide organization for standardization comprising all national electrotechnical committees (IEC National Committees). The object of IEC is to promote international co-operation on all questions concerning standardization in the electrical and electronic fields. To this end and in addition to other activities, IEC publishes International Standards, Technical Specifications, Technical Reports, Publicly Available Specifications (PAS) and Guides (hereafter referred to as "IEC Publication(s)"). Their preparation is entrusted to technical committees; any IEC National Committee interested in the subject dealt with may participate in this preparatory work. International, governmental and non-governmental organizations liaising with the IEC also participate in this preparation. IEC collaborates closely with the International Organization for Standardization (ISO) in accordance with conditions determined by agreement between the two organizations.
- 2) The formal decisions or agreements of IEC on technical matters express, as nearly as possible, an international consensus of opinion on the relevant subjects since each technical committee has representation from all interested IEC National Committees.
- 3) IEC Publications have the form of recommendations for international use and are accepted by IEC National Committees in that sense. While all reasonable efforts are made to ensure that the technical content of IEC Publications is accurate, IEC cannot be held responsible for the way in which they are used or for any misinterpretation by any end user.
- 4) In order to promote international uniformity, IEC National Committees undertake to apply IEC Publications transparently to the maximum extent possible in their national and regional publications. Any divergence between any IEC Publication and the corresponding national or regional publication shall be clearly indicated in the latter.
- 5) IEC provides no marking procedure to indicate its approval and cannot be rendered responsible for any equipment declared to be in conformity with an IEC Publication.
- 6) All users should ensure that they have the latest edition of this publication.
- 7) No liability shall attach to IEC or its directors, employees, servants or agents including individual experts and members of its technical committees and IEC National Committees for any personal injury, property damage or other damage of any nature whatsoever, whether direct or indirect, or for costs (including legal fees) and expenses arising out of the publication, use of, or reliance upon, this IEC Publication or any other IEC Publications.
- 8) Attention is drawn to the Normative references cited in this publication. Use of the referenced publications is indispensable for the correct application of this publication.
- 9) Attention is drawn to the possibility that some of the elements of this IEC Publication may be the subject of patent rights. IEC shall not be held responsible for identifying any or all such patent rights.

International standard IEC 60601-1-10 has been prepared by IEC subcommittee 62A: *Common aspects of electrical equipment used in medical practice*, of IEC technical committee 62: *Electrical equipment in medical practice*, and ISO subcommittees SC1: *Breathing attachments and anaesthetic machines*, and SC3: *Lung ventilators and related devices* of ISO technical committee 121: *Anaesthetic and respiratory equipment*.

It is published as double logo standard.

This first edition constitutes a collateral standard to IEC 60601-1: *Medical electrical equipment – Part 1: General requirements for safety and essential performance* hereafter referred to as the general standard.

The text of this collateral standard is based on the following documents:

FDIS	Report on voting
62A/576/FDIS	62A/585/RVD

Full information on the voting for the approval of this collateral standard can be found in the report on voting indicated in the above table. In ISO, the standard has been approved by 18 P-members out of 19 having cast a vote.

This publication has been drafted in accordance with the ISO/IEC Directives, Part 2.

In the 60601 series of publications, collateral standards specify general requirements for safety applicable to:

- a subgroup of MEDICAL ELECTRICAL EQUIPMENT (e.g. radiological equipment); or
- a specific characteristic of all MEDICAL ELECTRICAL EQUIPMENT, not fully addressed in the general standard (e.g. ALARM SYSTEMS).

In this collateral standard, the following print types are used:

- requirements and definitions: roman type.
- *test specifications: italic type.*
- informative material appearing outside of tables, such as notes, examples and references: in smaller type. Normative text of tables is also in a smaller type.
- TERMS DEFINED IN CLAUSE 3 OF THE GENERAL STANDARD, IN THIS COLLATERAL STANDARD OR AS NOTED: SMALL CAPITALS.

In referring to the structure of this standard, the term

- “clause” means one of the eight numbered divisions within the table of contents, inclusive of all subdivisions (e.g. Clause 8 includes Subclauses 8.1, 8.2, etc.);
- “subclause” means a numbered subdivision of a clause (e.g. 8.1, 8.2 and 8.2.1 are all subclauses of Clause 8).

References to clauses within this standard are preceded by the term “Clause” followed by the clause number. References to subclauses within this standard are by number only.

In this standard, the conjunctive “or” is used as an “inclusive or” so a statement is true if any combination of the conditions is true.

The verbal forms used in this standard conform to usage described in Annex H of the ISO/IEC Directives, Part 2. For the purposes of this standard, the auxiliary verb:

- “shall” means that compliance with a requirement or a test is mandatory for compliance with this standard;
- “should” means that compliance with a requirement or a test is recommended but is not mandatory for compliance with this standard;
- “may” is used to describe a permissible way to achieve compliance with a requirement or test.

Clauses, subclauses and definitions for which a rationale is provided in informative Annex A are marked with an asterisk (*).

A list of all parts of the IEC 60601 series, published under the general title: *Medical electrical equipment*, can be found on the IEC website.

The committee has decided that the contents of this publication will remain unchanged until the maintenance result date indicated on the IEC web site under "<http://webstore.iec.ch>" in the data related to the specific publication. At this date, the publication will be

- reconfirmed;
- withdrawn;
- replaced by a revised edition, or
- amended

iTeh STANDARD PREVIEW (standards.iteh.ai)

[IEC 60601-1-10:2007](https://standards.iteh.ai/catalog/standards/sist/fa2a9d46-e0ad-4bd5-96bd-87ec84fb1cfc/iec-60601-1-10-2007)

<https://standards.iteh.ai/catalog/standards/sist/fa2a9d46-e0ad-4bd5-96bd-87ec84fb1cfc/iec-60601-1-10-2007>

INTRODUCTION

The use of PHYSIOLOGIC CLOSED-LOOP CONTROLLERS in ME EQUIPMENT and ME SYSTEMS are expected to provide a successful strategy to improve PATIENT safety and reduce healthcare costs [9][10][11][12][13] ¹⁾. New RISKS that are not directly addressed by previous standards are emerging in the development of this equipment. MANUFACTURERS employ a variety of methods to validate the safety and integrity of control systems with varying degrees of success. Classical methods of software VALIDATION for PHYSIOLOGIC CLOSED-LOOP CONTROLLERS can be insufficient to ensure performance with acceptable RISKS under all clinical and physiologic conditions.

iTeh STANDARD PREVIEW (standards.iteh.ai)

[IEC 60601-1-10:2007](https://standards.iteh.ai/catalog/standards/sist/fa2a9d46-e0ad-4bd5-96bd-87ec84fb1cf/iec-60601-1-10-2007)

<https://standards.iteh.ai/catalog/standards/sist/fa2a9d46-e0ad-4bd5-96bd-87ec84fb1cf/iec-60601-1-10-2007>

1) Figures in square brackets refer to the Bibliography.

MEDICAL ELECTRICAL EQUIPMENT –

Part 1-10: General requirements for basic safety and essential performance – Collateral Standard: Requirements for the development of physiologic closed-loop controllers

1 Scope, object and related standards

1.1 * Scope

This International Standard applies to the BASIC SAFETY and ESSENTIAL PERFORMANCE of MEDICAL ELECTRICAL EQUIPMENT and MEDICAL ELECTRICAL SYSTEMS, hereafter referred to as ME EQUIPMENT and ME SYSTEMS.

This collateral standard specifies requirements for the development (analysis, design, VERIFICATION and VALIDATION) of a PHYSIOLOGIC CLOSED-LOOP CONTROLLER (PCLC) as part of a PHYSIOLOGIC CLOSED-LOOP CONTROL SYSTEM (PCLCS) in ME EQUIPMENT and ME SYSTEMS to control a PHYSIOLOGIC VARIABLE.

NOTE A PHYSIOLOGIC VARIABLE can be a body chemistry (e.g. electrolytes, blood glucose), a physical property (e.g. PATIENT temperature, electrophysiologic, hemodynamic), or a pharmaceutical concentration.

This collateral standard applies to various types of PCLC, e.g. linear and non-linear, adaptive, fuzzy, neural networks.

This collateral standard does not specify:

- additional mechanical requirements; or
- additional electrical requirements.

This collateral standard applies to a closed-loop controller (see Figure 1) that sets the CONTROLLER OUTPUT VARIABLE in order to adjust (i.e., change or maintain) the measured PHYSIOLOGIC VARIABLE by relating it to the REFERENCE VARIABLE.

A closed-loop controller that maintains a physical or chemical VARIABLE, using feedback that is not measured from a PATIENT, is outside the scope of this standard.

1.2 Object

The object of this collateral standard is to specify general requirements that are in addition to those of the general standard and to serve as the basis for particular standards.

1.3 Related standards

1.3.1 IEC 60601-1

For ME EQUIPMENT and ME SYSTEMS, this collateral standard complements IEC 60601-1.

When referring to IEC 60601-1 or to this collateral standard, either individually or in combination, the following conventions are used:

- "the general standard" designates IEC 60601-1 alone;
- "this collateral standard" designates IEC 60601-1-10 alone;

- "this standard" designates the combination of the general standard and this collateral standard.

1.3.2 Particular standards

A requirement in a particular standard takes priority over the corresponding requirement in this collateral standard.

2 Normative references

The following referenced documents are indispensable for the application of this document. For dated references, only the edition cited applies. For undated references, the latest edition of the referenced document (including any amendments) applies.

IEC 60601-1:2005, *Medical electrical equipment – Part 1: General requirements for basic safety and essential performance*

IEC 60601-1-6:2006, *Medical electrical equipment – Part 1-6: General requirements for basic safety and essential performance – Collateral Standard: Usability*

IEC 60601-1-8:2006, *Medical electrical equipment – Part 1-8: General requirements for basic safety and essential performance – Collateral Standard: General requirements, tests and guidance for alarm systems in medical electrical equipment and medical electrical systems*

IEC 62304:2006, *Medical device software – Software life cycle processes*

ISO 14971, *Medical devices – Application of risk management to medical devices*

<https://standards.iteh.ai/catalog/standards/sist/fa2a9d46-e0ad-4bd5-96bd-87ec84fb1cfc/iec-60601-1-10-2007>

3 Terms and definitions

For the purposes of this document, the terms and definitions given in IEC 60601-1:2005, IEC 60601-1-6:2006, IEC 60601-1-8:2006 and the following apply.

NOTE An index of defined term used in this collateral standard is found beginning on page 38.

3.1

ACTUATOR

A

part of a PCLCS that performs a specified output function (see, for example, Figure 1, A)

EXAMPLE 1 A heater delivers thermal energy.

EXAMPLE 2 An infusion pump delivers a fluid or drug.

EXAMPLE 3 An anaesthetic agent vaporizer delivers a vapour concentration.

EXAMPLE 4 A ventilator delivers an inspiratory volume.

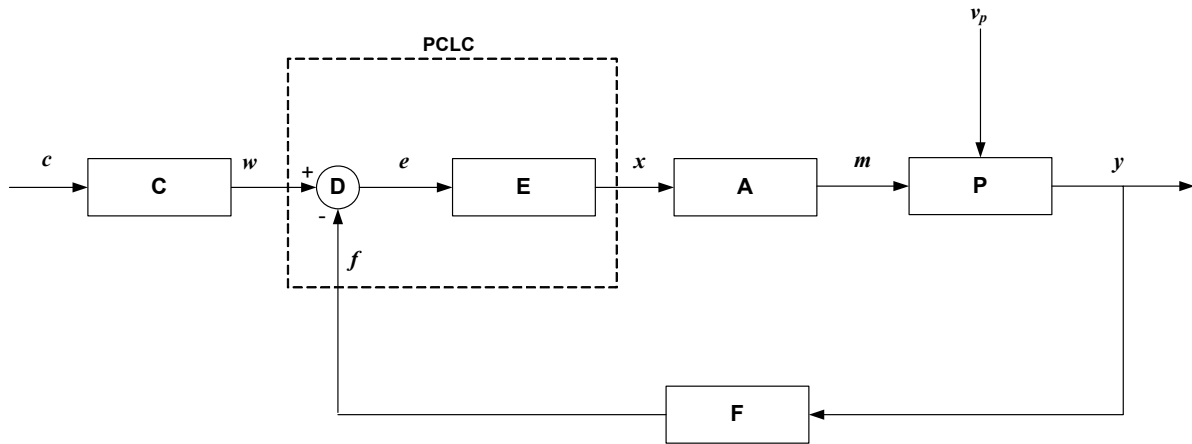
3.2

COMMAND OVERTHOOT

y_{co}

for a step response, the maximum positive deviation of the PHYSIOLOGIC VARIABLE (y), from the COMMAND VARIABLE (c)

NOTE See also Annex B.



IEC 2068/07

Elements		VARIABLES	
PCLC	PHYSIOLOGIC CLOSED-LOOP CONTROLLER	<i>m</i>	MANIPULATED VARIABLE
A	ACTUATOR	<i>w</i>	REFERENCE VARIABLE
C	COMMAND TRANSFER ELEMENT	<i>e</i>	ERROR VARIABLE
D	COMPARING ELEMENT	<i>x</i>	CONTROLLER OUTPUT VARIABLE
E	CONTROL TRANSFER ELEMENT	<i>f</i>	FEEDBACK VARIABLE
F	MEASURING TRANSFER ELEMENT	<i>y</i>	PHYSIOLOGIC VARIABLE
P	PATIENT TRANSFER ELEMENT	<i>v_p</i>	PATIENT DISTURBANCE VARIABLE
		<i>c</i>	COMMAND VARIABLE

NOTE DISTURBANCE VARIABLES (*v*), not shown, can act on any element or VARIABLE.

Figure 1 – Functional diagram indicating typical components of a PHYSIOLOGIC CLOSED-LOOP CONTROL SYSTEM (PCLCS) utilizing a PCLC

<https://standards.iteh.ai/catalog/standards/sist/fa2a9d46-e0ad-4bd5-96bd-87ec84fb1cfc/iec-60601-1-10-2007>

3.3

*** COMMAND TRANSFER ELEMENT**

C

part of a PCLCS that provides an output having a deterministic relationship to the COMMAND VARIABLE (*c*) (see, for example, Figure 1, C)

3.4

*** COMMAND VARIABLE**

c

VARIABLE which, after signal conversion or other processing by the COMMAND TRANSFER ELEMENT (C), gives the REFERENCE VARIABLE (*w*) (see, for example, Figure 1, *c*)

3.5

*** COMPARING ELEMENT**

D

element with two inputs and one output, the output VARIABLE being the difference between the input VARIABLES (see, for example, Figure 1, D)

[IEC 60050-351, definition 351-28-03, modified]

NOTE The difference can be simple subtraction, classification within a value range, or a complex relationship such as results from a neural network calculation.

3.6

CONTROL TRANSFER ELEMENT

E

part of a PCLC that provides an output having a deterministic relationship to the FEEDBACK VARIABLE (*f*) (see, for example, Figure 1, E)

3.7**CONTROLLER OUTPUT VARIABLE***x*

VARIABLE of the CONTROL TRANSFER ELEMENT (E), which is also an input VARIABLE of the ACTUATOR (A) (see, for example, Figure 1, *x*)

3.8*** DISTRIBUTED PCLCS**

PCLCS that involves more than one item of equipment of a ME SYSTEM

NOTE The parts of a DISTRIBUTED PCLCS can be widely separated in distance.

3.9*** DISTURBANCE VARIABLE***v*

VARIABLE acting on a PCLCS that is independent of the other VARIABLES of the PCLCS (see, for example, Figure 1, *v* and *v_p*)

NOTE 1 DISTURBANCE VARIABLES are undesired, independent, and most frequently unpredictable from the perspective of the PCLC. The MANUFACTURER or OPERATOR can be aware of DISTURBANCE VARIABLES.

NOTE 2 The MANUFACTURER needs to identify the DISTURBANCE VARIABLES that are relevant to the PCLC, but their values are usually unpredictable.

3.10**ERROR VARIABLE***e*

difference between the REFERENCE VARIABLE (*w*) and the FEEDBACK VARIABLE (*f*) (see, for example, Figure 1, *e*)

[IEC 60050-351, definition 351-27-04] [IEC 60601-1-10:2007](https://standards.iteh.ai/catalog/standards/sist/fa2a9d46-e0ad-4bd5-96bd-87ec84fb1cf/iec-60601-1-10-2007)

<https://standards.iteh.ai/catalog/standards/sist/fa2a9d46-e0ad-4bd5-96bd-87ec84fb1cf/iec-60601-1-10-2007>

3.11*** FALLBACK MODE**

mode of operation (or state) into which the PCLCS transitions when the PCLC stops operating due to detection of a fault

3.12**FEEDBACK VARIABLE***f*

output of the MEASURING TRANSFER ELEMENT (F) (see, for example, Figure 1, *f*)

[IEC 60050-351, definition 351-27-03, modified]

3.13**INTERPATIENT VARIABILITY**

variability of the PATIENT TRANSFER ELEMENT between PATIENTS

EXAMPLE The reaction of PATIENTS to the same amount of a certain drug can vary widely.

3.14**INTRAPATIENT VARIABILITY**

variability of the PATIENT TRANSFER ELEMENT within the same PATIENT over time

EXAMPLE The reaction of a PATIENT to a dose of a drug that varies widely during the day.

3.15

MANIPULATED VARIABLE

m

output of the ACTUATOR (A), which is also an input VARIABLE of the PATIENT TRANSFER ELEMENT (see, for example, Figure 1, *m*)

[IEC 60050-351, definition 351-27-07, modified]

3.16

MEASURING TRANSFER ELEMENT

F

part of a PCLCS that provides an output having a determined relationship to the PHYSIOLOGIC VARIABLE (*y*) (see, for example, Figure 1, F)

EXAMPLE 1 thermocouple

EXAMPLE 2 current transformer

EXAMPLE 3 strain gauge

EXAMPLE 4 pH electrode

EXAMPLE 5 pulse oximeter

EXAMPLE 6 respiratory gas monitor

EXAMPLE 7 heart rate monitor

EXAMPLE 8 blood pressure monitor

EXAMPLE 9 EEG monitor

EXAMPLE 10 EMG monitor

EXAMPLE 11 cardiac output monitor

iteh STANDARD PREVIEW
(standards.iteh.ai)

[IEC 60601-1-10:2007](https://standards.iteh.ai/catalog/standards/sist/fa2a9d46-e0ad-4bd5-96bd-87ec84fb1cf/iec-60601-1-10-2007)

<https://standards.iteh.ai/catalog/standards/sist/fa2a9d46-e0ad-4bd5-96bd-87ec84fb1cf/iec-60601-1-10-2007>

3.17

*** PATIENT DISTURBANCE VARIABLE**

v_p

DISTURBANCE VARIABLE, independent of the MANIPULATED VARIABLE (*m*), which changes the PATIENT TRANSFER ELEMENT (*P*) (see, for example, Figure 1, *v_p*)

3.18

PATIENT TRANSFER ELEMENT

P

relationship of the change of the PHYSIOLOGIC VARIABLE (*y*) in response to a change in the MANIPULATED VARIABLE (*m*) (see, for example, Figure 1, P)

3.19

PHYSIOLOGIC CLOSED-LOOP CONTROL SYSTEM

PCLCS

part of ME EQUIPMENT or ME SYSTEM used to adjust a PHYSIOLOGIC VARIABLE (*y*) relative to a COMMAND VARIABLE (*c*) using a FEEDBACK VARIABLE (*f*) (see, for example, Figure 1)

3.20

*** PHYSIOLOGIC CLOSED-LOOP CONTROLLER**

PCLC

element of a PHYSIOLOGIC CLOSED-LOOP CONTROL SYSTEM in which a FEEDBACK VARIABLE (*f*) is compared with a REFERENCE VARIABLE (*w*), and their difference is transformed to set the CONTROLLER OUTPUT VARIABLE (*x*) (see, for example, Figure 1, PCLC)

3.21 PHYSIOLOGIC VARIABLE

y
quantity or condition from a PATIENT whose value is subject to change and can usually be measured

NOTE A PHYSIOLOGIC VARIABLE can be a body chemistry (e.g. electrolytes, blood glucose), a physical property (e.g. PATIENT temperature, electrophysiologic, hemodynamic), or a pharmaceutical concentration.

3.22 * REFERENCE VARIABLE

w
input VARIABLE to a COMPARING ELEMENT (D) in a PCLC that sets the desired value of the PHYSIOLOGIC VARIABLE (y) (see, for example, Figure 1, w)

[IEC 60050-351, definition 351-27-02, modified]

3.23 RELATIVE OVERSHOOT

y_{ro}
for a step response, the maximum transient deviation from the final steady-state value of the PHYSIOLOGIC VARIABLE (y), expressed as the difference between the final and the initial steady-state values

NOTE 1 The initial steady-state value is the value of the PHYSIOLOGIC VARIABLE prior to applying the step.

NOTE 2 See also Annex B.

[IEC 60050-351, definition 351-24-30, modified]

3.24 RESPONSE TIME

T_r
time required for the step response of the PHYSIOLOGIC VARIABLE (y) to move from its initial value to a specified percentage of the final steady-state value

NOTE 1 The time is measured from the point in time that the step is applied.

NOTE 2 The conventional value for the percentage is 90 %.

NOTE 3 See also Annex B.

3.25 SETTLING TIME

T_{st}
duration of the time interval between the instant of a step change in one of the input VARIABLES and the instant when the PHYSIOLOGIC VARIABLE (y) does not deviate by more than a specified tolerance from the difference between its final and initial steady-state values

NOTE 1 The conventional value for the tolerance is 5 %.

NOTE 2 See also Annex B.

[IEC 60050-351, definition 351-24-29, modified]

3.26 STEADY-STATE DEVIATION

y_{sd}
deviation between PHYSIOLOGIC VARIABLE (y) and COMMAND VARIABLE (c) when transient effects have subsided and the COMMAND VARIABLE is maintained constant

NOTE See also Annex B.