

**SLOVENSKI
STANDARD**

SIST EN 60115-1:2002/A1:2004

julij 2004

Fixed resistors for use in electronic equipment - Part 1: Generic specification -
Amendment A1 (IEC 60115-1:1999/A1:2001)

iTeh STANDARD PREVIEW
(standards.iteh.ai)

[SIST EN 60115-1:2002/A1:2004](https://standards.iteh.ai/catalog/standards/sist/ce849e58-0259-4209-b33a-9776ab09913d/sist-en-60115-1-2002-a1-2004)
[https://standards.iteh.ai/catalog/standards/sist/ce849e58-0259-4209-b33a-
9776ab09913d/sist-en-60115-1-2002-a1-2004](https://standards.iteh.ai/catalog/standards/sist/ce849e58-0259-4209-b33a-9776ab09913d/sist-en-60115-1-2002-a1-2004)

ICS 31.040.10

Referenčna številka
SIST EN 60115-1:2002/A1:2004(en)

iTeh STANDARD PREVIEW
(standards.iteh.ai)

[SIST EN 60115-1:2002/A1:2004](https://standards.iteh.ai/catalog/standards/sist/ce849e58-0259-4209-b33a-9776ab09913d/sist-en-60115-1-2002-a1-2004)

<https://standards.iteh.ai/catalog/standards/sist/ce849e58-0259-4209-b33a-9776ab09913d/sist-en-60115-1-2002-a1-2004>

EUROPEAN STANDARD

EN 60115-1/A1

NORME EUROPÉENNE

EUROPÄISCHE NORM

September 2001

ICS 31.040.10

English version

Fixed resistors for use in electronic equipment
Part 1: Generic specification
(IEC 60115-1:1999/A1:2001)

Résistances fixes utilisées dans les
équipements électroniques
Partie 1: Spécification générique
(CEI 60115-1:1999/A1:2001)

Festwiderstände zur Verwendung in
Geräten der Elektronik
Teil 1: Fachgrundspezifikation
(IEC 60115-1:1999/A1:2001)

iTeh STANDARD PREVIEW
(standards.iteh.ai)

This amendment A1 modifies the European Standard EN 60115-1:2001; it was approved by CENELEC on 2001-03-01. CENELEC members are bound to comply with the CEN/CENELEC Internal Regulations which stipulate the conditions for giving this amendment the status of a national standard without any alteration.
<https://standards.iteh.ai/catalog/standards/sist/60115-1-2002-a1-2004>

Up-to-date lists and bibliographical references concerning such national standards may be obtained on application to the Central Secretariat or to any CENELEC member.

This amendment exists in three official versions (English, French, German). A version in any other language made by translation under the responsibility of a CENELEC member into its own language and notified to the Central Secretariat has the same status as the official versions.

CENELEC members are the national electrotechnical committees of Austria, Belgium, Czech Republic, Denmark, Finland, France, Germany, Greece, Iceland, Ireland, Italy, Luxembourg, Netherlands, Norway, Portugal, Spain, Sweden, Switzerland and United Kingdom.

CENELEC

European Committee for Electrotechnical Standardization
Comité Européen de Normalisation Electrotechnique
Europäisches Komitee für Elektrotechnische Normung

Central Secretariat: rue de Stassart 35, B - 1050 Brussels

Foreword

The text of document 40/1184/FDIS, future amendment 1 to IEC 60115-1:1999, prepared by IEC TC 40, Capacitors and resistors for electronic equipment, was submitted to the IEC-CENELEC parallel vote and was approved by CENELEC as amendment A1 to EN 60115-1 on 2001-03-01.

The following dates were fixed:

- latest date by which the amendment has to be implemented at national level by publication of an identical national standard or by endorsement (dop) 2002-04-01
- latest date by which the national standards conflicting with the amendment have to be withdrawn (dow) 2004-04-01

Endorsement notice

The text of amendment 1:2001 to the International Standard IEC 60115-1:1999 was approved by CENELEC as an amendment to the European Standard without any modification.

(standards.iteh.ai)

SIST EN 60115-1:2002/A1:2004

<https://standards.iteh.ai/catalog/standards/sist/ce849e58-0259-4209-b33a-9776ab09913d/sist-en-60115-1-2002-a1-2004>

INTERNATIONAL STANDARD

IEC 60115-1

1999

AMENDMENT 1
2001-02

Amendment 1

Fixed resistors for use in electronic equipment –

**Part 1:
Generic specification**

iteh STANDARD PREVIEW

(standards.iteh.ai)

Amendement 1

SIST EN 60115-1:2002/A1:2004

*Résistances fixes utilisées dans les équipements
électroniques*

*Partie 1:
Spécification générique*

© IEC 2001 — Copyright - all rights reserved

International Electrotechnical Commission
Telefax: +41 22 919 0300

3, rue de Varembe Geneva, Switzerland
e-mail: inmail@iec.ch IEC web site <http://www.iec.ch>



Commission Electrotechnique Internationale
International Electrotechnical Commission
Международная Электротехническая Комиссия

PRICE CODE

D

For price, see current catalogue

FOREWORD

This amendment has been prepared by IEC technical committee 40: Capacitors and resistors for electronic equipment.

The text of this amendment is based on the following documents:

FDIS	Report on voting
40/1184/FDIS	40/1194/RVD

Full information on the voting for the approval of this amendment can be found in the report on voting indicated in the above table.

The committee has decided that the contents of the base publication and its amendments will remain unchanged until 2006. At this date, the publication will be

- reconfirmed;
- withdrawn;
- replaced by a revised edition, or
- amended.

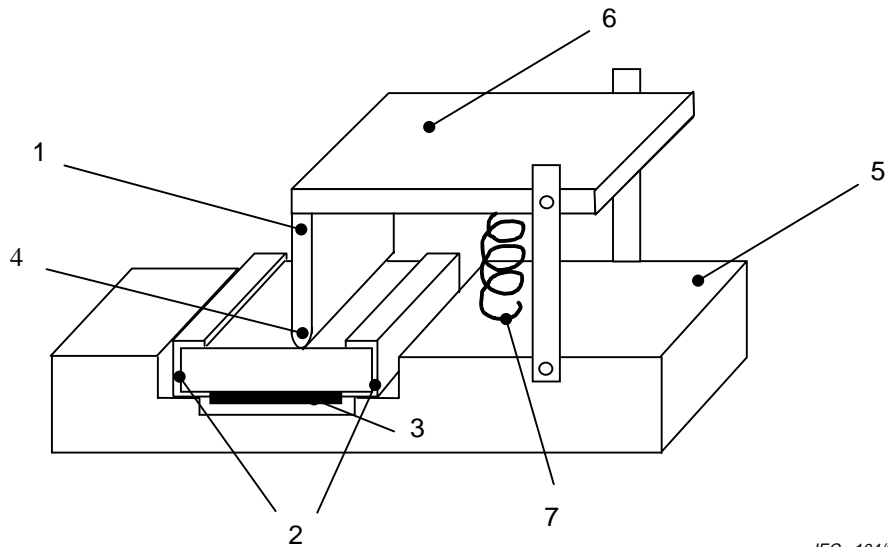
A bilingual version of this amendment may be issued at a later date.

ITeH STANDARD PREVIEW
(standards.iteh.ai)

[SIST EN 60115-1:2002/A1:2004](https://standards.iteh.ai/catalog/standards/sist/ce849e58-0259-4209-b33a-9776ab09913d/sist-en-60115-1-2002-a1-2004)

<https://standards.iteh.ai/catalog/standards/sist/ce849e58-0259-4209-b33a-9776ab09913d/sist-en-60115-1-2002-a1-2004>

Replace the existing figure 2 by the following new figure 2:



IEC 104/01

Key

- 1 Metal block, test point A
- 2 Terminations of the resistor
- 3 Coating side
- 4 Radius 0,25 mm to 0,5 mm
- 5 Metal plate, test point B
- 6 Insulation material
- 7 Spring

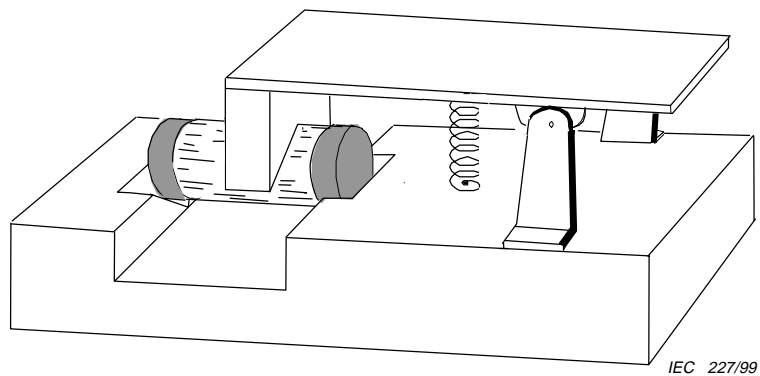
iTeh STANDARD PREVIEW
(standards.iteh.ai)

[SIST EN 60115-1:2002/A1:2004](https://standards.iteh.ai/catalog/standards/sist/en-60115-1-2002/a1-2004)

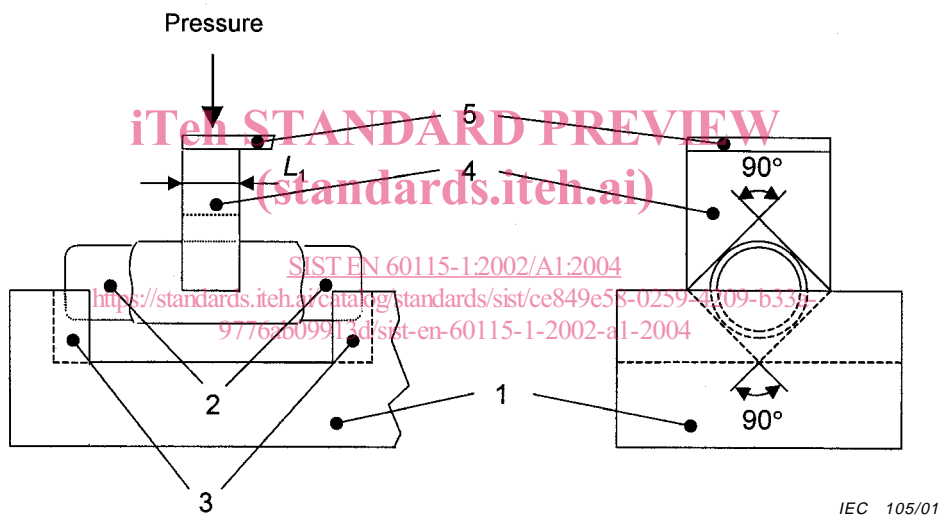
standards.iteh.ai/catalog/standards/sist/en-60115-1-2002/a1-2004

**Figure 2 – Insulation resistance and voltage proof test jig
for rectangular surface mount resistors**

Replace the existing figure 3 by the following new figure 3:



Jig details:



Key

- 1 Metal plate, test point B
- 2 Terminations of the resistor
- 3 Grooves in the metal plate
- 4 V-shaped metal block, test point A
- 5 Insulation material

Figure 3 – Insulation resistance and voltage proof test jig for cylindrical surface mount resistors