

---

# International Standard



# 7436

---

INTERNATIONAL ORGANIZATION FOR STANDARDIZATION • МЕЖДУНАРОДНАЯ ОРГАНИЗАЦИЯ ПО СТАНДАРТИЗАЦИИ • ORGANISATION INTERNATIONALE DE NORMALISATION

---

## Slotted set screws with cup point

*Vis sans tête, fendues, à bout cuvette*

First edition — 1983-09-01

**iTeh STANDARD PREVIEW**  
**(standards.iteh.ai)**

[ISO 7436:1983](https://standards.iteh.ai/catalog/standards/sist/4985ae5c-de3d-4731-ab5d-5f697d5450a1/iso-7436-1983)

<https://standards.iteh.ai/catalog/standards/sist/4985ae5c-de3d-4731-ab5d-5f697d5450a1/iso-7436-1983>

---

UDC 621.882.219.4.092.6

Ref. No. ISO 7436-1983 (E)

**Descriptors** : fasteners, screws, slotted headless screws, dimensions, specifications, designation.

## Foreword

ISO (the International Organization for Standardization) is a worldwide federation of national standards bodies (ISO member bodies). The work of developing International Standards is carried out through ISO technical committees. Every member body interested in a subject for which a technical committee has been authorized has the right to be represented on that committee. International organizations, governmental and non-governmental, in liaison with ISO, also take part in the work.

Draft International Standards adopted by the technical committees are circulated to the member bodies for approval before their acceptance as International Standards by the ISO Council.

## iTeh STANDARD PREVIEW

International Standard ISO 7436 was developed by Technical Committee ISO/TC 2, *Fasteners*, and was circulated to the member bodies in December 1981. ([standards.iteh.ai](https://standards.iteh.ai))

It has been approved by the member bodies of the following countries: 1983

Austria	Hungary	Poland
Belgium	India	Romania
Brazil	Ireland	South Africa, Rep. of
China	Japan	Spain
Czechoslovakia	Korea, Dem. P. Rep. of	Sri Lanka
Denmark	Korea, Rep. of	Sweden
Egypt, Arab Rep. of	Mexico	Switzerland
Finland	Netherlands	United Kingdom
France	New Zealand	USSR
Germany, F.R.	Norway	

No member body expressed disapproval of the document.

# Slotted set screws with cup point

iTeh STANDARD PREVIEW  
(standards.iteh.ai)

## 1 Scope and field of application

This International Standard specifies the characteristics of slotted set screws with cup point and thread sizes from M 1,6 to M 12 inclusive and product grade A.

If other specifications are required, it is recommended that they should be selected from existing International Standards, for example ISO 261, ISO 888, ISO 898, ISO 965, ISO 3506, ISO 4759/1.

## 2 References

ISO 225, *Fasteners — Bolts, screws, studs and nuts — Symbols and designations of dimensions.*

ISO 261, *ISO general purpose metric screw threads — General plan.*

ISO 888, *Bolts, screws and studs — Nominal lengths, and thread lengths for general purpose bolts.*

ISO 898, *Mechanical properties of fasteners.*

ISO 965, *ISO general purpose metric screw threads — Tolerances.*

ISO 3269, *Fasteners — Acceptance inspection.*<sup>1)</sup>

ISO 3506, *Corrosion-resistant stainless steel fasteners — Specifications.*

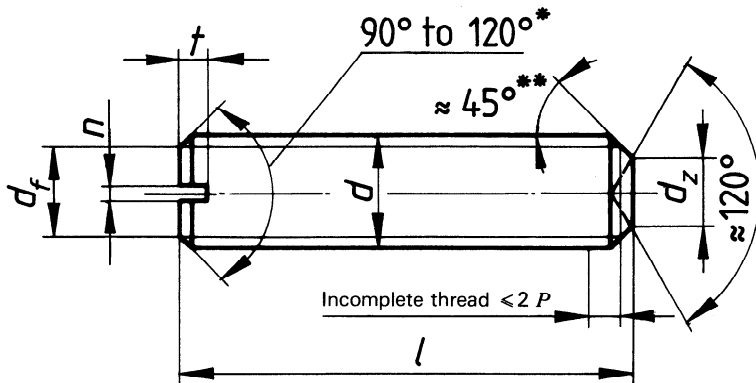
ISO 4042, *Threaded components — Electroplated coatings components.*<sup>1)</sup>

ISO 4753, *Fasteners — Ends of parts with external metric ISO thread.*

ISO 4759/1, *Tolerances for fasteners — Part 1: Bolts, screws and nuts with thread diameters > 1,6 and < 150 mm and product grades A, B and C.*

1) At present at the stage of draft.

3 Dimensions



\* The 120° angle is mandatory for short length screws above the dotted stepped line.

\*\* The 45° angle applies only to the portion of the point below the root diameter of the thread.

Dimensions in millimetres

Thread size <i>d</i>	M 1,6	M 2	M 2,5	M 3	(M 3,5) <sup>1)</sup>	M 4	M 5	M 6	M 8	M 10	M 12	
<i>p</i> <sup>2)</sup>	0,35	0,4	0,45	0,5	0,6	0,7	0,8	1	1,25	1,5	1,75	
<i>d<sub>f</sub></i>	Minor thread diameter											
<i>d<sub>z</sub></i>	min.	0,55	0,75	0,95	1,15	1,45	1,75	2,25	2,75	4,7	5,7	7,7
	max.	0,8	1	1,2	1,4	1,7	2	2,5	3	5	6	8
<i>n</i>	nom.	0,25	0,25	0,4	0,4	0,5	0,6	0,8	1	1,2	1,6	2
	min.	0,31	0,31	0,46	0,46	0,56	0,66	0,86	1,06	1,26	1,66	2,06
	max.	0,45	0,45	0,6	0,6	0,7	0,8	1	1,2	1,51	1,91	2,31
<i>t</i>	min.	0,56	0,64	0,72	0,8	0,96	1,12	1,28	1,6	2	2,4	2,8
	max.	0,74	0,84	0,95	1,05	1,21	1,42	1,63	2	2,5	3	3,6
ISO 7436:1983 <a href="https://standards.iteh.ai/catalog/standards/sist/4985ae5c-de3d-4731-ab5d-5f697d5450a1/iso-7436-1983">https://standards.iteh.ai/catalog/standards/sist/4985ae5c-de3d-4731-ab5d-5f697d5450a1/iso-7436-1983</a>												
(1), 3)			Range of commercial lengths									
nom.	min.	max.										
2	1,8	2,2										
2,5	2,3	2,7										
3	2,8	3,2										
4	3,7	4,3										
5	4,7	5,3										
6	5,7	6,3										
8	7,7	8,3										
10	9,7	10,3										
12	11,6	12,4										
(14)	13,6	14,4										
16	15,6	16,4										
20	19,6	20,4										
25	24,6	25,4										
30	29,6	30,4										
35	34,5	35,5										
40	39,5	40,5										
45	44,5	45,5										
50	49,5	50,5										
55	54,4	55,6										
60	59,4	60,6										

- 1) Sizes in brackets should be avoided if possible.
- 2) *P* = pitch of the thread.
- 3) Min. and max. values according to ISO 4759/1, but rounded to one decimal place.

#### 4 Specifications and reference International Standards

Material	Steel	Stainless steel	Non-ferrous metal
Thread	Tolerance		
	6g		
Mechanical properties	International Standards		
	ISO 261, ISO 965		
Tolerances	Property class		
	14H, 22H	A1 - 50	1)
Finish	International Standards		
	ISO 898/5	ISO 3506	
Acceptability	Product grade		
	A		
International Standard	ISO 4759/1		
	Plain		
Requirements for electroplating are covered in ISO 4042.			
If different electroplating requirements are desired or if requirements are needed for other finishes, they should be negotiated between supplier and customer.			
The acceptance procedure is covered in ISO 3269.			

1) Will be covered in a future International Standard.

#### 5 Designation

Example for the designation of a slotted set screw with cup point, thread size  $d = M5$ , nominal length  $l = 12$  mm and property class 14H:

**Set screw ISO 7436 - M5 × 12 - 14H (standards.iteh.ai)**

[ISO 7436:1983](https://standards.iteh.ai/catalog/standards/sist/4985ae5c-de3d-4731-ab5d-5f697d5450a1/iso-7436-1983)

<https://standards.iteh.ai/catalog/standards/sist/4985ae5c-de3d-4731-ab5d-5f697d5450a1/iso-7436-1983>

**iTeh STANDARD PREVIEW**  
**(standards.iteh.ai)**

This page intentionally left blank

[ISO 7436:1983](#)

<https://standards.iteh.ai/catalog/standards/sist/4985ae5c-de3d-4731-ab5d-5f697d5450a1/iso-7436-1983>

**iTeh STANDARD PREVIEW**  
**(standards.iteh.ai)**

This page intentionally left blank

[ISO 7436:1983](#)

<https://standards.iteh.ai/catalog/standards/sist/4985ae5c-de3d-4731-ab5d-5f697d5450a1/iso-7436-1983>

**iTeh STANDARD PREVIEW**  
**(standards.iteh.ai)**

This page intentionally left blank

[ISO 7436:1983](#)

<https://standards.iteh.ai/catalog/standards/sist/4985ae5c-de3d-4731-ab5d-5f697d5450a1/iso-7436-1983>