

INTERNATIONAL STANDARD

NORME INTERNATIONALE

AMENDMENT 2
AMENDEMENT 2

**Household and similar electrical appliances – Test code for the determination of airborne acoustical noise –
Part 2-13: Particular requirements for range hoods**

**Appareils électrodomestiques et analogues – Code d'essai pour la détermination du bruit aérien –
Partie 2-13: Règles particulières pour les hottes de cuisine**

WATERMARK

<https://standards.iteh.ai/catalog/standards/iec/11814c43-45b0-4dc3-a554-0e1c2d58427b/iec-60704-2-13-2000-amd2-2008>



THIS PUBLICATION IS COPYRIGHT PROTECTED

Copyright © 2008 IEC, Geneva, Switzerland

All rights reserved. Unless otherwise specified, no part of this publication may be reproduced or utilized in any form or by any means, electronic or mechanical, including photocopying and microfilm, without permission in writing from either IEC or IEC's member National Committee in the country of the requester.

If you have any questions about IEC copyright or have an enquiry about obtaining additional rights to this publication, please contact the address below or your local IEC member National Committee for further information.

Droits de reproduction réservés. Sauf indication contraire, aucune partie de cette publication ne peut être reproduite ni utilisée sous quelque forme que ce soit et par aucun procédé, électronique ou mécanique, y compris la photocopie et les microfilms, sans l'accord écrit de la CEI ou du Comité national de la CEI du pays du demandeur.

Si vous avez des questions sur le copyright de la CEI ou si vous désirez obtenir des droits supplémentaires sur cette publication, utilisez les coordonnées ci-après ou contactez le Comité national de la CEI de votre pays de résidence.

IEC Central Office
3, rue de Varembe
CH-1211 Geneva 20
Switzerland
Email: inmail@iec.ch
Web: www.iec.ch

About the IEC

The International Electrotechnical Commission (IEC) is the leading global organization that prepares and publishes International Standards for all electrical, electronic and related technologies.

About IEC publications

The technical content of IEC publications is kept under constant review by the IEC. Please make sure that you have the latest edition, a corrigenda or an amendment might have been published.

▪ Catalogue of IEC publications: www.iec.ch/searchpub

The IEC on-line Catalogue enables you to search by a variety of criteria (reference number, text, technical committee,...). It also gives information on projects, withdrawn and replaced publications.

▪ IEC Just Published: www.iec.ch/online_news/justpub

Stay up to date on all new IEC publications. Just Published details twice a month all new publications released. Available on-line and also by email.

▪ Electropedia: www.electropedia.org

The world's leading online dictionary of electronic and electrical terms containing more than 20 000 terms and definitions in English and French, with equivalent terms in additional languages. Also known as the International Electrotechnical Vocabulary online.

▪ Customer Service Centre: www.iec.ch/webstore/custserv

If you wish to give us your feedback on this publication or need further assistance, please visit the Customer Service Centre FAQ or contact us:

Email: csc@iec.ch

Tel.: +41 22 919 02 11

Fax: +41 22 919 03 00

A propos de la CEI

La Commission Electrotechnique internationale (CEI) est la première organisation mondiale qui élabore et publie des normes internationales pour tout ce qui a trait à l'électricité, à l'électronique et aux technologies apparentées.

A propos des publications CEI

Le contenu technique des publications de la CEI est constamment revu. Veuillez vous assurer que vous possédez l'édition la plus récente, un corrigendum ou amendement peut avoir été publié.

▪ Catalogue des publications de la CEI: www.iec.ch/searchpub/cur_fut-f.htm

Le Catalogue en-ligne de la CEI vous permet d'effectuer des recherches en utilisant différents critères (numéro de référence, texte, comité d'études,...). Il donne aussi des informations sur les projets et les publications retirées ou remplacées.

▪ Just Published CEI: www.iec.ch/online_news/justpub

Restez informé sur les nouvelles publications de la CEI. Just Published détaille deux fois par mois les nouvelles publications parues. Disponible en-ligne et aussi par email.

▪ Electropedia: www.electropedia.org

Le premier dictionnaire en ligne au monde de termes électroniques et électriques. Il contient plus de 20 000 termes et définitions en anglais et en français, ainsi que les termes équivalents dans les langues additionnelles. Egalement appelé Vocabulaire Electrotechnique International en ligne.

▪ Service Clients: www.iec.ch/webstore/custserv/custserv_entry-f.htm

Si vous désirez nous donner des commentaires sur cette publication ou si vous avez des questions, visitez le FAQ du Service clients ou contactez-nous:

Email: csc@iec.ch

Tél.: +41 22 919 02 11

Fax: +41 22 919 03 00

INTERNATIONAL STANDARD

NORME INTERNATIONALE

AMENDMENT 2
AMENDEMENT 2

**Household and similar electrical appliances – Test code for the determination of airborne acoustical noise –
Part 2-13: Particular requirements for range hoods**

**Appareils électrodomestiques et analogues – Code d'essai pour la détermination du bruit aérien –
Partie 2-13: Règles particulières pour les hottes de cuisine**

INTERNATIONAL
ELECTROTECHNICAL
COMMISSION

COMMISSION
ELECTROTECHNIQUE
INTERNATIONALE

PRICE CODE
CODE PRIX

D

FOREWORD

This amendment has been prepared by IEC technical committee 59: Performance of household electrical appliances.

The text of this amendment is based on the following documents:

CDV	Report on voting
59/428/CDV	59/443A/RVC

Full information on the voting for the approval of this amendment can be found in the report on voting indicated in the above table.

The committee has decided that the contents of this amendment and the base publication will remain unchanged until the maintenance result date indicated on the IEC web site under "http://webstore.iec.ch" in the data related to the specific publication. At this date, the publication will be

- reconfirmed,
- withdrawn,
- replaced by a revised edition, or
- amended.

Page 9

INTRODUCTION

Delete last sentence.

Page 11

1.1.1 General

Add, at the end of the third paragraph of the replacement, the following new sentence:

It also applies to range hoods with an external fan.

Delete second dash of penultimate paragraph.

Page 13

1.3 Measurement uncertainty

Replace the second sentence of the second paragraph and Table 101 by the following new text and table:

The estimated values of standard deviations of sound power levels, determined according to this standard, are as indicated in Table 101.

Table 101 – Standard deviations of sound power levels

Standard deviation dB	
σ_r (repeatability)	σ_R (reproducibility)
0,4	1,0

Add the following new subclause:

1.101 Standard deviation for declaration and verification

For the purpose of determining and verifying declared noise emission values, according to IEC 60704-3, the values of standard deviations given in Table 102 apply.

Table 102 – Standard deviations for determination and verification

Standard deviation dB		
σ_p (production)	σ_t (total)	σ_M (reference)
1,5 – 1,7	1,8 – 2,0	2,0

3 Terms and definitions

Replace the existing definition 3.103 by the following new definition:

3.103 air-extraction range hood

range hood which discharges the collected air to another room or to the outside of the building by means of ducting

The range hood can incorporate an internal or external fan.

Page 17

6.4 Loading and operating of appliances during test

6.4.2 Replacement:

Add, after the third paragraph of the replacement, the following new paragraph:

Range hoods with an external fan shall be loaded with a pipe according to Figure 103. The muffler shall be provided with the appliance. If the manufacturer did not provide a muffler, the appliance is tested without muffler.

Page 19

Add the following new subclause:

6.5.101 Appliances with external fan

For range hoods with an external fan, the air inlet device shall be located and mounted as described in 6.5.1 to 6.5.5 for range hoods. The external fan shall be located in such a way that the noise emitted by the housing of the fan and by the air outlet does not influence the measurement result.

Page 21

8 Calculation of sound intensity and sound power levels

Replace the existing text of this clause with the following:

This clause of Part 1 is applicable except as follows:

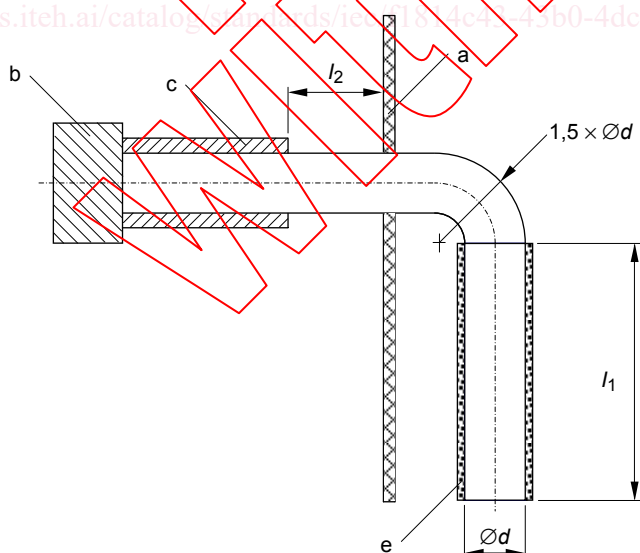
8.1 Addition after last paragraph:

Noise emitted by the housing or the air outlet of an external fan shall be considered as background noise.

Page 25

Figures

Add the following new figure:



- a wall
- b external fan
- c muffer according to the manufacturing instructions, if a muffer is provided
- d the connections shall not interfere with the air flow to avoid any additional noise or any additional pressure drop
- e pipe

IEC 362/08 $l_1 + l_2 = 2\ 000\ \text{mm}$

Figure 103 – Standard load for range hoods with an external fan