



Designation: C 1464 – 00

## Standard Specification for Bent Glass<sup>1</sup>

This standard is issued under the fixed designation C 1464; the number immediately following the designation indicates the year of original adoption or, in the case of revision, the year of last revision. A number in parentheses indicates the year of last reapproval. A superscript epsilon ( $\epsilon$ ) indicates an editorial change since the last revision or reapproval.

### 1. Scope

1.1 This specification covers the requirements for bent glass used in general building construction, furniture, display, and various other nonautomotive applications.

1.2 The dimensional values, stated in SI units are to be regarded as the standard. The values given in parentheses are provided for information only.

1.3 The following safety hazards caveat pertains only to the test method portion, Section 7, of this specification. *This standard does not purport to address all of the safety concerns, if any, associated with its use. It is the responsibility of the user of this standard to establish appropriate safety and health practices and determine the applicability of regulatory limitations prior to use.*

### 2. Referenced Documents<sup>2</sup>

2.1 *ASTM Standards:*<sup>3</sup>

C 162 Terminology of Glass and Glass Products

C 1036 Specification for Flat Glass

C 1048 Specification for Heat-Treated Flat Glass—Kind HS, Kind FT-Coated and Uncoated Glass

C 1172 Specification for Laminated Architectural Flat Glass

C 1422 Specification for Chemically Strengthened Flat Glass

2.2 *Federal Document:*<sup>4</sup>

CPSC 16 CFR 1201 Consumer Product Safety Commission Safety Standard for Architectural Glazing Material

### 3. Terminology

3.1 *Definitions*—Refer to Terminology C 162, Specifications C 1036, C 1422, and C 1172, as appropriate.

3.1.1 *Blemishes in Flat Glass*—Refer to Specifications C 1036, C 1048, C 1422, and C 1172, as appropriate.

3.2 *Definitions of Terms Specific to This Standard:*

3.2.1 *bent glass, n*—flat glass that has been shaped while hot into a body having curved surfaces.

3.2.2 *chord, n*—a straight line segment that joins two points of an arc.

3.2.3 *compound bend, n*—a profile shape composed of curvature of one or more radii, curved on two or more axes.

3.2.4 *crossbend, n*—deviation from a straight edge along a line perpendicular to the curvature measured on the concave side.

3.2.5 *degree of angle, n*—the angular measurement of a segment of a curve.

3.2.6 *depth, n*—on a circular bend, the distance from the midpoint of a chord to the arc measured along its radius perpendicular to the circumference.

3.2.7 *elliptical bend, n*—a curved profile shape composed of two or more tangential radii on a single axis.

3.2.8 *girth, n*—the distance around the concave or convex surface measured perpendicular to the height including any flats.

3.2.9 *height, n*—the length measurement of the edge perpendicular to the horizontal arc or girth.

3.2.10 *multiple bend, n*—a profile shape composed of a curvature of two or more radii, all curved on a single axis, with at least two of the curvatures possibly separated by a flat (plane) area, and with or without one or more additional flat (plane) areas tangent to the curvatures.

3.2.11 *pock marks, n*—process surface blemishes that consist of small, shallow areas, circular in shape, on the surface of the glass.

3.2.12 *Ring marks*—process surface blemishes that consist of shallow marks typically running along the perimeter of the glass surface.

3.2.13 *Rotation*—a condition where vertical edges (perpendicular to arc) are not parallel to bending axis.

3.2.14 *Serpentine bend*—profile shape composed of concave and convex curvatures of one or more radii on a single axis with or without flat areas tangent to the curvatures.

3.2.15 *Shape*—contoured form including curvature, arc(s), and even flats.

3.2.16 *Single bend*—a profile composed of a single radius curved on a single axis, possibly with one or two flat (plane) areas tangent to the curvature.

<sup>1</sup> This specification is under the jurisdiction of ASTM Committee C-14 on Glass and Glass Products and is the direct responsibility of Subcommittee C14.08 on Flat Glass.

Current edition approved April 10, 2000. Published July 2000.

<sup>2</sup> Reference to these standards shall be the latest revision unless otherwise specified by the authority applying this specification.

<sup>3</sup> *Annual Book of ASTM Standards*, Vol 15.02.

<sup>4</sup> Available from the Superintendent of Documents, U.S. Government Printing Office, Washington, DC 20402.

3.2.17 *Twist*—one or more of the corners of the glass are not in the same plane.

**4. Classification**

4.1 *Kinds*—Bent glass furnished under this specification shall be of the following kinds, as specified:

4.1.1 *Kind BA*—Bent glass shall be annealed flat glass, either transparent or patterned, in accordance with the applicable requirements of Specification C 1036, as further processed to conform with the requirements hereinafter specified for bent glass.

4.1.2 *Kind BCS*—Chemically strengthened bent glass shall be flat glass, either transparent or patterned, in accordance with the applicable requirements of Specification C 1036, as further processed to conform with the requirements hereinafter specified for bent glass and in accordance with the applicable requirements of Specification C 1422 for chemically strengthened flat glass.

4.1.3 *Kind BFT*—Fully tempered bent glass shall be flat glass, either transparent or patterned, in accordance with the applicable requirements of Specification C 1036, as further processed to conform with the requirements hereinafter specified for bent glass and in accordance with the applicable requirements of Specification C 1048 for fully tempered glass.

4.1.4 *Kind BHS*—Heat-strengthened bent glass shall be flat glass, either transparent or patterned, in accordance with the applicable requirements of Specification C 1036, as further processed to conform with the requirements hereinafter specified for bent glass and in accordance with the applicable requirements of Specification C 1048 for heat-strengthened glass.

4.1.5 *Kind BL*—Laminated bent glass shall be flat glass, either transparent or patterned, in accordance with the applicable requirements of Specification C 1036 as further pro-

cessed with the requirements hereinafter specified for bent glass and in accordance with the applicable requirements of Specification C 1172 for laminated glass.

4.1.6 *Kind BX*—Bent glass with miscellaneous combinations not previously combined.

**5. Ordering Information**

5.1 Purchasers should include the following information in procurement documents:

5.1.1 Title, number, and date of this specification.

5.1.2 Kind of bent glass as referred to in this specification (see Section 4).

5.1.3 Fabrication requirements (see Section 6).

5.1.4 *Thickness Requirements:*

5.1.4.1 Overall thickness designation.

5.1.4.2 Thickness of individual lites in the laminate.

5.1.4.3 Interlayer thickness and type.

5.1.5 Nominal height, width, radius (see definitions and Figs. 1-3).

5.1.5.1 Blackline or blue-line prints, drawing, template, configuration, specification, or other forms of information which detail overall size, type of bend, and orientation.

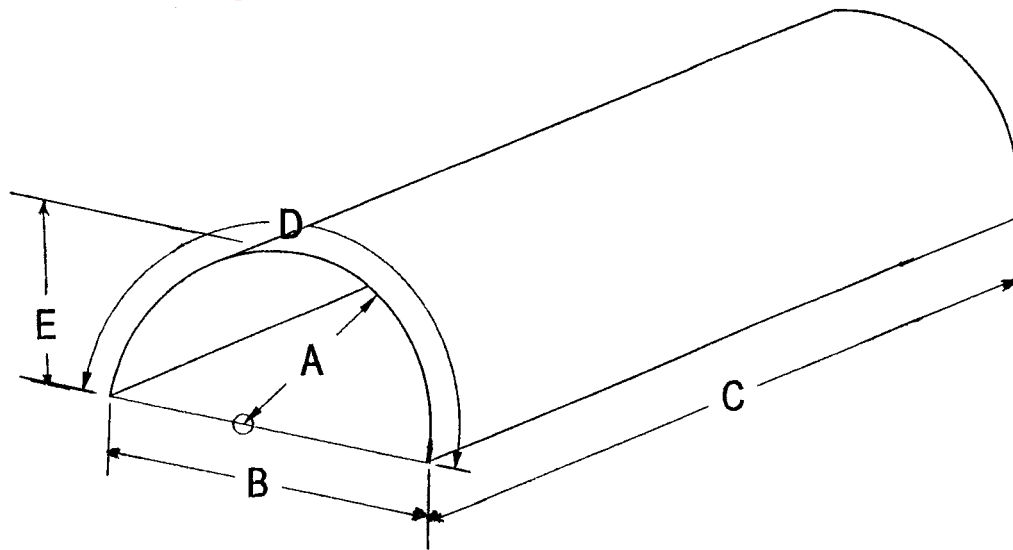
5.1.6 Safety standards or regulations to which the glass must conform.

5.1.7 *Packaging Requirements*—Glass packaging and protection will be standard manufacturer practice unless otherwise specified. Consult manufacturer before specifying.

**6. Fabrication Requirements**

6.1 Cutting to overall dimensions, edgework, drilled holes, notching, grinding, sandblasting, and etching are permissible.

<https://standards.iteh.ai/catalog/standards/sist/c7abefad-dc28-42df-bd64-040426b1a4d1/astm-c1464-00>



- A = outside radius
- B = chord
- C = height
- D = girth
- E = depth

FIG. 1 Single Bend