
International Standard



7707

INTERNATIONAL ORGANIZATION FOR STANDARDIZATION • МЕЖДУНАРОДНАЯ ОРГАНИЗАЦИЯ ПО СТАНДАРТИЗАЦИИ • ORGANISATION INTERNATIONALE DE NORMALISATION

Commercial road vehicles — Connections for rear-mounted power take-offs (PTO)

Véhicules routiers utilitaires — Connexions pour prises de puissance arrière

First edition — 1986-10-15

ITeH STANDARD PREVIEW
(standards.iteh.ai)

[ISO 7707:1986](#)

<https://standards.iteh.ai/catalog/standards/sist/312e404a-6ca7-45a0-82d0-270f43aa1e7b/iso-7707-1986>



UDC 629.114.4-494

Ref. No. ISO 7707-1986 (E)

Descriptors : road vehicles, commercial road vehicles, power takeoff, classification, dimensions, designation.

Foreword

ISO (the International Organization for Standardization) is a worldwide federation of national standards bodies (ISO member bodies). The work of preparing International Standards is normally carried out through ISO technical committees. Each member body interested in a subject for which a technical committee has been established has the right to be represented on that committee. International organizations, governmental and non-governmental, in liaison with ISO, also take part in the work.

Draft International Standards adopted by the technical committees are circulated to the member bodies for approval before their acceptance as International Standards by the ISO Council. They are approved in accordance with ISO procedures requiring at least 75 % approval by the member bodies voting.

International Standard ISO 7707 was prepared by Technical Committee ISO/TC 22, *Road vehicles*.

Users should note that all International Standards undergo revision from time to time and that any reference made herein to any other International Standard implies its latest edition, unless otherwise stated.

Commercial road vehicles — Connections for rear-mounted power take-offs (PTO)

iTeh STANDARD PREVIEW
(standards.iteh.ai)

1 Scope and field of application

This International Standard specifies the essential dimensions of connections for rear-mounted power take-offs (PTO). These specifications are applicable to all installations of power take-offs at the back of transmission gearboxes of commercial vehicles.

ISO 7707:1986

— Type A

— Type B

— Type E

Type A is, however, recommended if the design of the transmission permits. Type E may be used for stepped PTOs.

2 Reference

ISO 7706, *Road vehicles — Commercial vehicles — Clearance envelope for power take-offs (PTO)*.

3 Specifications

This International Standard defines three connection types for rear-mounted PTOs :

4 Designation

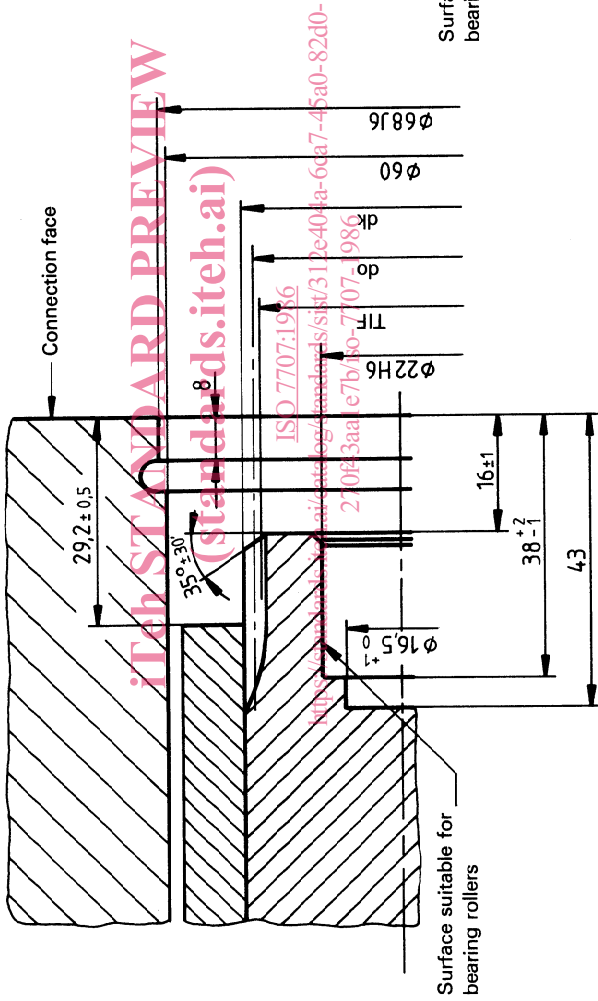
Example for the designation of a type A connection for a rear-mounted PTO :

PTO rear connection ISO 7707-A

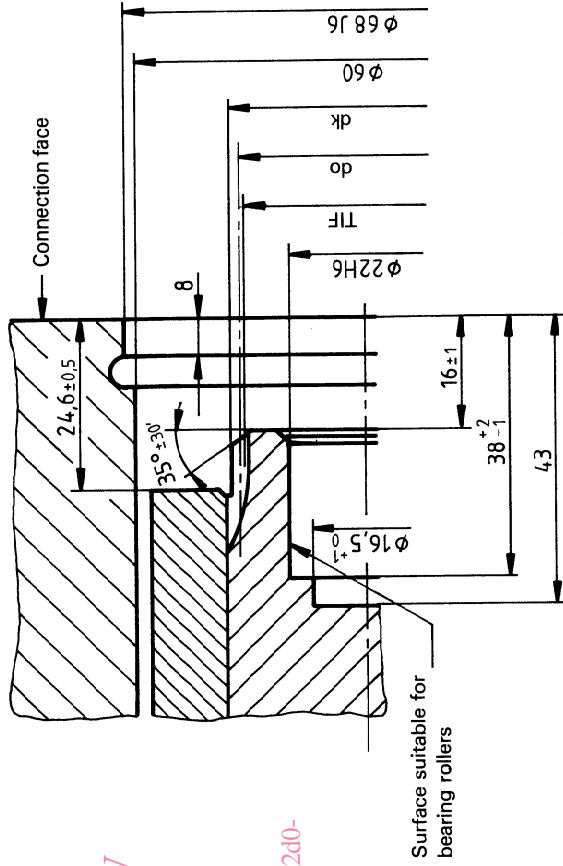
Dimensions in millimetres

Connections for rear-mounted PTO

Type A



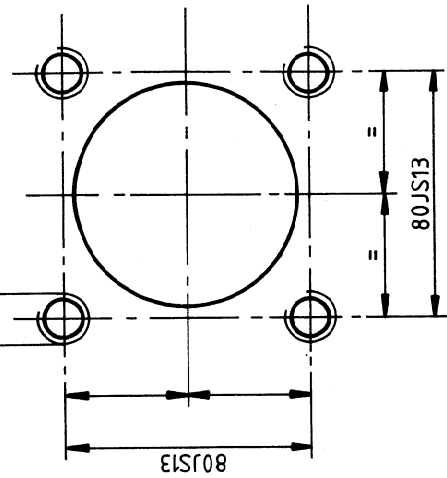
Type B



Spline data

- No. of teeth : 12
- Standard module : 3,25
- Pressure angle : 20°
- TIP diameter : 44,4 h11
- Reference diameter : 39,0
- Form diameter : 38,85
- Span over two teeth : 16,21

M12 Thread pattern



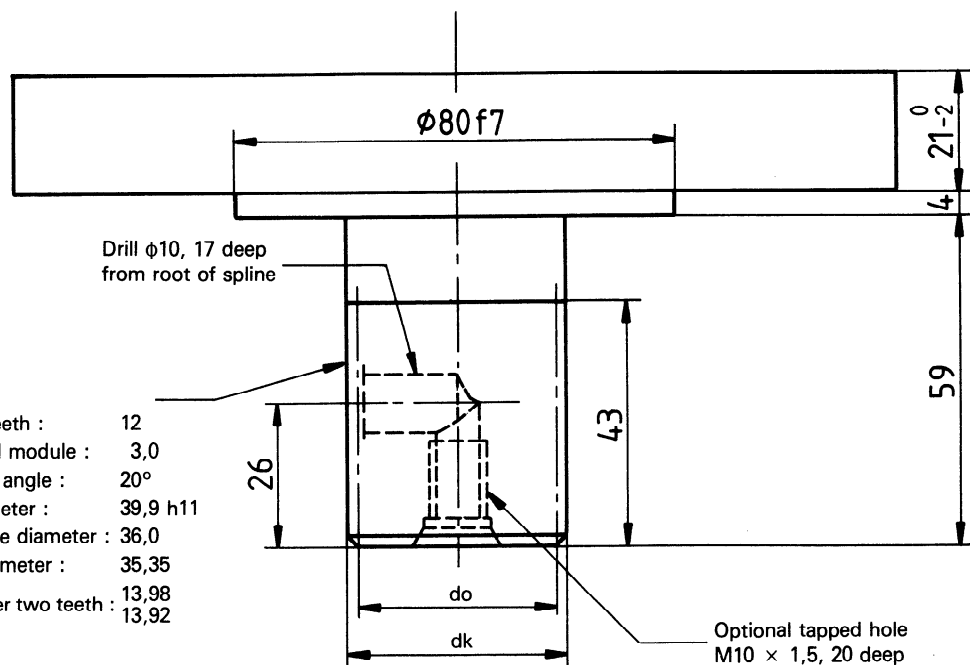
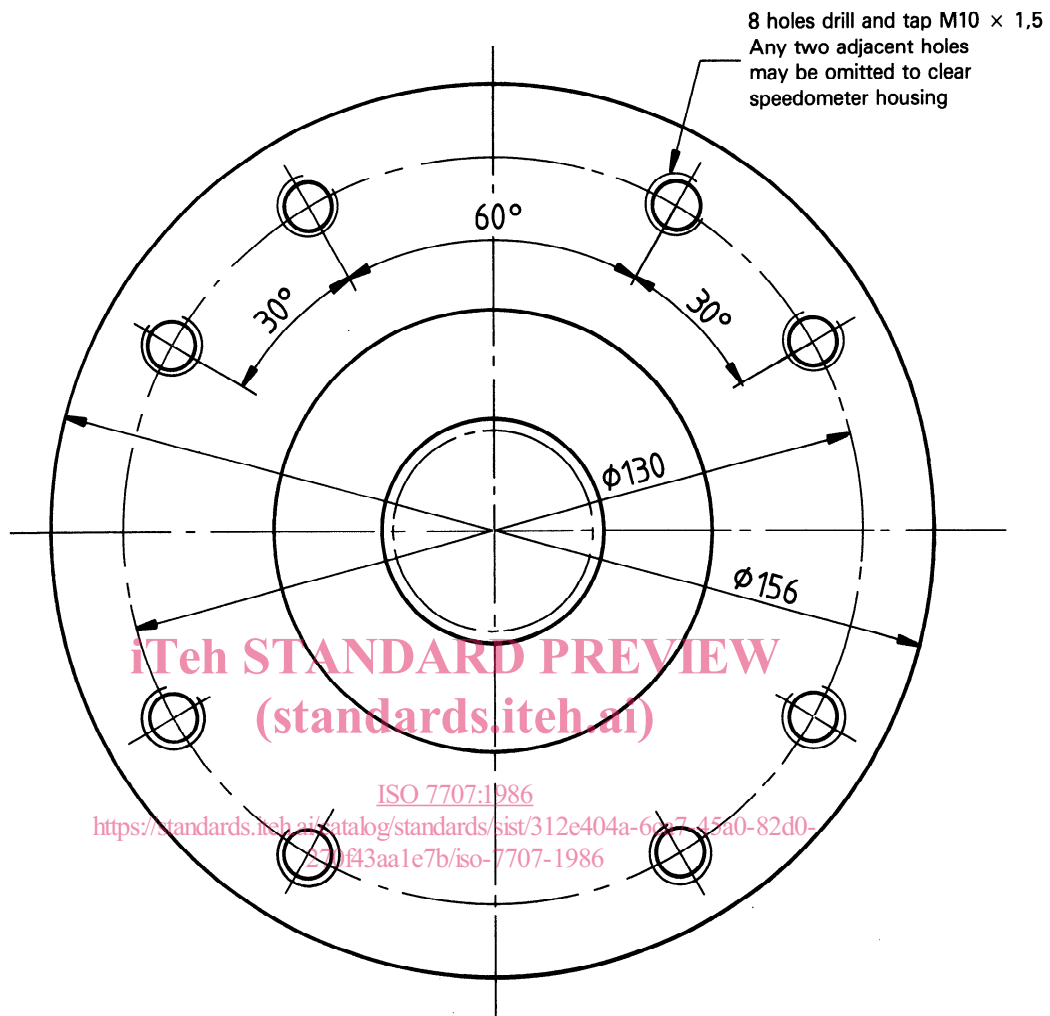
Spline data

- No. of teeth : 12
- Standard module : 3,0
- Pressure angle : 20°
- TIP diameter : 39,9 h11
- Reference diameter : 36,0
- Form diameter : 35,35
- Span over two teeth : 13,98

NOTE — The length of bolts is specified by the manufacturer.

Dimensions in millimetres

Type E



Spline data

No. of teeth :	12
Standard module :	3,0
Pressure angle :	20°
TIP diameter :	39,9 h11
Reference diameter :	36,0
Form diameter :	35,35
Span over two teeth :	13,98
	13,92

iTeh STANDARD PREVIEW
(standards.iteh.ai)

This page intentionally left blank

[ISO 7707:1986](#)

<https://standards.iteh.ai/catalog/standards/sist/312e404a-6ca7-45a0-82d0-270f43aa1e7b/iso-7707-1986>

iTeh STANDARD PREVIEW
(standards.iteh.ai)

This page intentionally left blank

[ISO 7707:1986](#)

<https://standards.iteh.ai/catalog/standards/sist/312e404a-6ca7-45a0-82d0-270f43aa1e7b/iso-7707-1986>

iTeh STANDARD PREVIEW
(standards.iteh.ai)

This page intentionally left blank

[ISO 7707:1986](#)

<https://standards.iteh.ai/catalog/standards/sist/312e404a-6ca7-45a0-82d0-270f43aa1e7b/iso-7707-1986>