

INTERNATIONAL STANDARD

ISO
7750-1

Second edition
1992-04-01

Commercial vehicles — Dimensions of air filter elements —

Part 1: Types A and B

iTeh STANDARD PREVIEW
(standards.iteh.ai)

Véhicules Utilitaires 1992 — Dimensions des éléments de filtre à air —

<https://standards.iteh.ai/catalog/standards/sist/c6081207-d547-4836-ab43-ca425cb0219e/iso-7750-1-1992>
Partie 1: Types A et B



Reference number
ISO 7750-1:1992(E)

Foreword

ISO (the International Organization for Standardization) is a worldwide federation of national standards bodies (ISO member bodies). The work of preparing International Standards is normally carried out through ISO technical committees. Each member body interested in a subject for which a technical committee has been established has the right to be represented on that committee. International organizations, governmental and non-governmental, in liaison with ISO, also take part in the work. ISO collaborates closely with the International Electrotechnical Commission (IEC) on all matters of electrotechnical standardization.

Draft International Standards adopted by the technical committees are circulated to the member bodies for voting. Publication as an International Standard requires approval by at least 75 % of the member bodies casting a vote.

International Standard ISO 7750-1 was prepared by Technical Committee ISO/TC 22, *Road vehicles*, Sub-Committee SC 7, *Injection equipment and filters for use on road vehicles*.

This second edition cancels and replaces the first edition (ISO 7750-1:1983), to which additional, smaller, sizes have been introduced in tables 1 and 2, and figure 2 modified.

ISO 7750 consists of the following parts, under the general title *Commercial vehicles — Dimensions of air filter elements*:

- Part 1: *Types A and B*
- Part 2: *Types C and D*

Annex A of this part of ISO 7750 is for information only.

Commercial vehicles — Dimensions of air filter elements —

Part 1: Types A and B

1 Scope

This part of ISO 7750 specifies the dimensions necessary for interchangeability of filter elements for air filters generally used in commercial vehicles.

Two element types, A and B, are specified; they differ in the bottom end cup design and require different installation conditions (see annex A). Types A and B are not interchangeable.

The selected sizes specified in tables 1 and 2 are based upon popular elements currently on the market.

This part of ISO 7750 may be used for other air filter applications where no specific standards exist.

2 Dimensions

2.1 Type A — Circular type with stop limitation

See figure 1 and table 1.

For notes on installation, see annex A.

2.2 Type B — Circular type without stop limitation

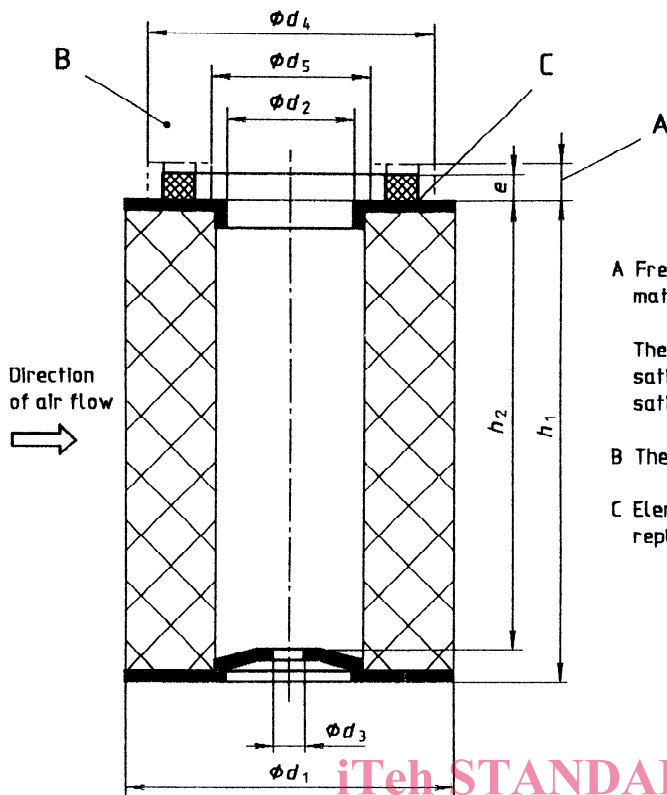
See figure 2 and table 2.

For notes on installation, see annex A.

3 Designation

Example for the designation of a filter element of type A, with dimensions $d_1 = 166$ mm, $d_2 = 86$ mm and $h_1 = 340$ mm:

Filter element ISO 7750-1 — A 166 × 86 × 340



A Free gasket height at discretion of manufacturer, depending on material and shape.

The gasket shall have sufficient compression to allow satisfactory fitting; once fitted, it shall provide a satisfactory seal during the life of the filter element.

B The gasket shall be included within the diameters d_4 and d_5 .

C Element and gasket shall be so joined as to necessitate the replacement of both parts simultaneously.

STANDARD PREVIEW
(standards.iteh.ai)

Figure 1 — Type A

ISO 7750-1:1992

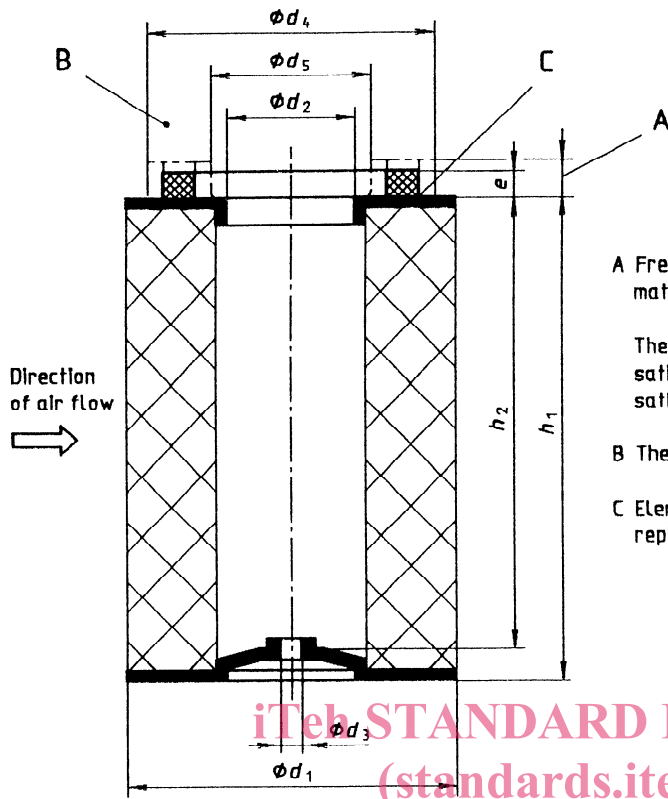
[https://standards.iteh.ai/catalog/standards/sist/c6081207-d547-4836-ab43-](https://standards.iteh.ai/catalog/standards/sist/c6081207-d547-4836-ab43-e435cb0219e/iso-7750-1-1992)

[e435cb0219e/iso-7750-1-1992](https://standards.iteh.ai/catalog/standards/sist/c6081207-d547-4836-ab43-e435cb0219e/iso-7750-1-1992)

Table 1 — Type A

Dimensions in millimetres

d_1 max.	d_2 $^{+2}_0$	d_3 $^{+0,5}_0$	d_4 max.	d_5 min.	e $^0_{-1}$	h_1 $\pm 1,5$	h_2 ± 2
95	43	8,5	80	50	6	164	152
111	50	8,5	95	60	6	217	202
111	50	8,5	95	60	6	300	285
128	64	8,5	100	75	6	285	268
128	57	8,5	100	75	6	300	283
150	71	8,5	125	80	7,5	325	310
166	75	8,5	140	95	7,5	300	282
166	86	8,5	140	95	7,5	340	322
192	81	8,5	170	120	7,5	300	283
198	103	8,5	170	120	7,5	365	351
213	103	8,5	180	120	7,5	300	261
228	116	10,5	190	130	7,5	370	356
231	120	10,5	190	130	7,5	360	326
243	132	10,5	195	145	7,5	485	454
251	140	10,5	220	160	9,5	360	326
303	191	10,5	255	205	9,5	460	444
328	216	10,5	280	230	9,5	605	573



A Free gasket height at discretion of manufacturer, depending on material and shape.

The gasket shall have sufficient compression to allow satisfactory fitting; once fitted, it shall provide a satisfactory seal during the life of the filter element.

B The gasket shall be included within the diameters d_4 and d_5 .

C Element and gasket shall be so joined as to necessitate the replacement of both parts simultaneously.

STANDARD PREVIEW
(standards.iteh.ai)

Figure 2 — Type B

ISO 7750-1:1992

<https://standards.iteh.ai/catalog/standards/sist/c6081207-d547-4836-ab43-ca425cb0219e/iso-7750-1-1992>

Table 2 — Type B

Dimensions in millimetres

d_1 max.	d_2 $+2$ 0	d_3 $+0,5$ 0	d_4 max.	d_5 min.	e 0 -1	h_1 $\pm 1,5$	h_2 ± 2
86	57	16	76	64	5	330	310
105	62	12	95	72	8	254	235
120	65	40	119	92	5	130	125
133	67	17	125	90	4,5	279	260
133	93	17	125	100	6	381	362
155	88	19	140	105	8,5	332	310
155	88	19	150	105	4,5	382	360
166	86	8,5	140	95	8,5	300	279
201	90	13	185	160	8,5	254	228
201	135	17	185	160	8,5	406	371
220	179	23	215	190	8,5	423	370
234	123	17	225	190	8,5	330	295
234	123	17	225	190	8,5	406	368
243	132	10,5	195	145	8,5	300	270
265	153	17	235	160	8,5	406	358
282	171	17	265	240	8,5	406	368
307	196	23	285	205	8,5	406	358
307	196	17	285	255	8,5	457	397
352	241	23	275	250	8,5	457	417

Annex A
(informative)

Notes on installation

Figures A.1 and A.2 show installation situations which are typical for air filter elements of types A and B respectively.

In figure A.1, for air filter elements of type A, the air filter element is pulled against the stop shoulder and the stop limiting plane by means of the nut.

In figure A.2, for air filter elements of type B, the air filter element is pulled against the upper sealing surface by means of the nut.

The design of the stop shoulder and stop limiting plane is optional, but it is necessary to ensure that elements from different manufacturers are fully interchangeable.

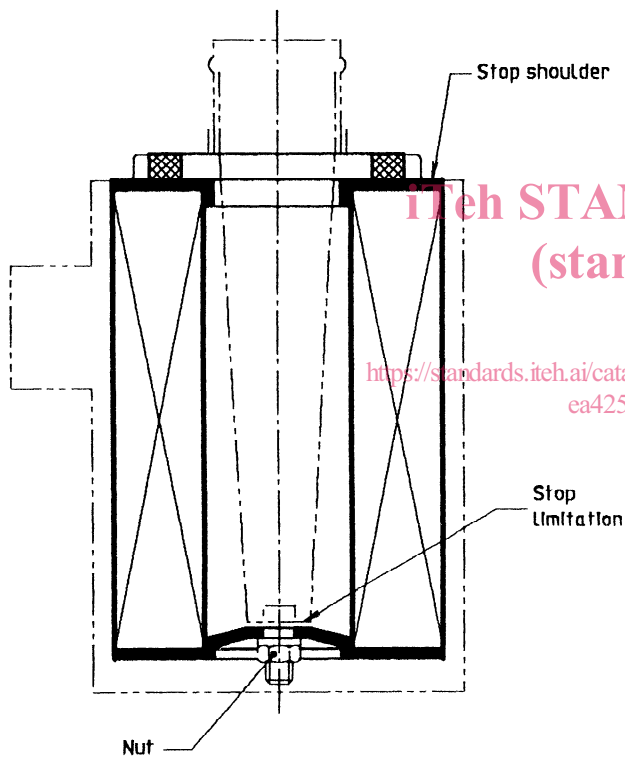


Figure A.1 — Type A installation

iteh STANDARD PREVIEW
(standards.iteh.ai)
ISO 7750-1:1992
<https://standards.iteh.ai/catalog/standards/sist/c6081207-c547-4836-ab43-ca425cb0219e/iso-7750-1-1992>

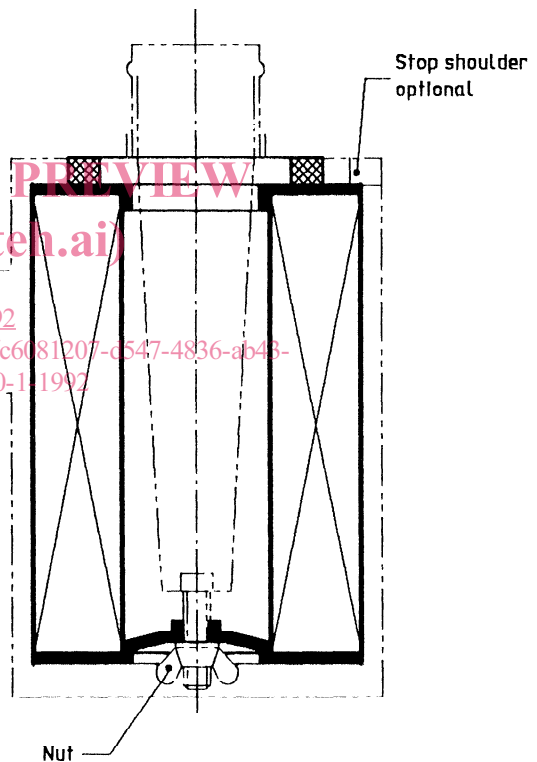


Figure A.2 — Type B installation

iTeh STANDARD PREVIEW
(standards.iteh.ai)

This page intentionally left blank

[ISO 7750-1:1992](#)

<https://standards.iteh.ai/catalog/standards/sist/c6081207-d547-4836-ab43-ea425cb0219e/iso-7750-1-1992>

iTeh STANDARD PREVIEW
(standards.iteh.ai)

ISO 7750-1:1992

<https://standards.iteh.ai/catalog/standards/sist/c6081207-d547-4836-ab43-ea425cb0219e/iso-7750-1-1992>

UDC 621.43.038.771

Descriptors: road vehicles, commercial road vehicles, air filters, dimensions, interchangeability.

Price based on 4 pages
