
**Spojni vmesniki optičnih vlaken – 4-1 .del: Družina spojnikov tipa SC;
poenostavljen sprejemljiv SC-PC konektorski vmesnik (IEC 61754-4-1:2003)***

Fibre optic connector interfaces - Part 4-1: Type SC connector family - Simplified
receptable SC-PC connector interfaces (IEC 61754-4-1:2003)

iTeh STANDARD PREVIEW
(standards.iteh.ai)

[SIST EN 61754-4-1:2004](https://standards.iteh.ai/catalog/standards/sist/889f6e1-8a8e-41b7-a99f-a70e600e62e0/sist-en-61754-4-1-2004)

[https://standards.iteh.ai/catalog/standards/sist/889f6e1-8a8e-41b7-a99f-
a70e600e62e0/sist-en-61754-4-1-2004](https://standards.iteh.ai/catalog/standards/sist/889f6e1-8a8e-41b7-a99f-a70e600e62e0/sist-en-61754-4-1-2004)

iTeh STANDARD PREVIEW
(standards.iteh.ai)

SIST EN 61754-4-1:2004

<https://standards.iteh.ai/catalog/standards/sist/889f6e1-8a8e-41b7-a99f-a70e600e62e0/sist-en-61754-4-1-2004>

EUROPEAN STANDARD

EN 61754-4-1

NORME EUROPÉENNE

EUROPÄISCHE NORM

April 2003

ICS 33.180.20

English version

Fibre optic connector interfaces
Part 4-1: Type SC connector family –
Simplified receptacle SC-PC connector interfaces
(IEC 61754-4-1:2003)

Interfaces de connecteurs
pour fibres optiques
Partie 4-1: Famille de connecteurs
du type SC –
Interfaces de connecteurs SC-PC
à réceptacle simplifié
(CEI 61754-4-1:2003)

Steckgesichter von LWL-Steckverbindern
Teil 4-1: Steckverbinderfamilie
der Bauart SC –
Steckgesichter von vereinfachten
SC-PC-Anschlussbuchsen
(IEC 61754-4-1:2003)

STANDARD PREVIEW
(standards.iteh.ai)

[SIST EN 61754-4-1:2004](https://standards.iteh.ai/catalog/standards/sist/889f6e1-8a8e-41b7-a99f-4c4f2e238818/iec-61754-4-1-2003)

<https://standards.iteh.ai/catalog/standards/sist/889f6e1-8a8e-41b7-a99f-4c4f2e238818/iec-61754-4-1-2003>
This European Standard was approved by CENELEC on 2003-03-01. CENELEC members are bound to comply with the CEN/CENELEC Internal Regulations which stipulate the conditions for giving this European Standard the status of a national standard without any alteration.

Up-to-date lists and bibliographical references concerning such national standards may be obtained on application to the Central Secretariat or to any CENELEC member.

This European Standard exists in three official versions (English, French, German). A version in any other language made by translation under the responsibility of a CENELEC member into its own language and notified to the Central Secretariat has the same status as the official versions.

CENELEC members are the national electrotechnical committees of Austria, Belgium, Czech Republic, Denmark, Finland, France, Germany, Greece, Hungary, Iceland, Ireland, Italy, Luxembourg, Malta, Netherlands, Norway, Portugal, Slovakia, Spain, Sweden, Switzerland and United Kingdom.

CENELEC

European Committee for Electrotechnical Standardization
Comité Européen de Normalisation Electrotechnique
Europäisches Komitee für Elektrotechnische Normung

Central Secretariat: rue de Stassart 35, B - 1050 Brussels

Foreword

The text of document 86B/1760/FDIS, future edition 1 of IEC 61754-4-1, prepared by SC 86B, Fibre optic interconnecting devices and passive components, of IEC TC 86, Fibre optics, was submitted to the IEC-CENELEC parallel vote and was approved by CENELEC as EN 61754-4-1 on 2003-03-01.

The following dates were fixed:

- latest date by which the EN has to be implemented at national level by publication of an identical national standard or by endorsement (dop) 2003-12-01
- latest date by which the national standards conflicting with the EN have to be withdrawn (dow) 2006-03-01

Endorsement notice

The text of the International Standard IEC 61754-4-1:2003 was approved by CENELEC as a European Standard without any modification.

iTeh STANDARD PREVIEW
(standards.iteh.ai)

SIST EN 61754-4-1:2004

<https://standards.iteh.ai/catalog/standards/sist/889f6e1-8a8e-41b7-a99f-a70e600e62e0/sist-en-61754-4-1-2004>

INTERNATIONAL STANDARD

IEC 61754-4-1

First edition
2003-01

Fibre optic connector interfaces –

Part 4-1:

Type SC connector family –

Simplified receptacle SC-PC connector interfaces

iTeh STANDARD PREVIEW

(standards.iteh.ai)

[SIST EN 61754-4-1:2004](https://standards.iteh.ai/catalog/standards/sist/889f6e1-8a8e-41b7-a99f-a70e600e62e0/sist-en-61754-4-1-2004)

<https://standards.iteh.ai/catalog/standards/sist/889f6e1-8a8e-41b7-a99f-a70e600e62e0/sist-en-61754-4-1-2004>

© IEC 2003 — Copyright - all rights reserved

No part of this publication may be reproduced or utilized in any form or by any means, electronic or mechanical, including photocopying and microfilm, without permission in writing from the publisher.

International Electrotechnical Commission, 3, rue de Varembe, PO Box 131, CH-1211 Geneva 20, Switzerland
Telephone: +41 22 919 02 11 Telefax: +41 22 919 03 00 E-mail: inmail@iec.ch Web: www.iec.ch



Commission Electrotechnique Internationale
International Electrotechnical Commission
Международная Электротехническая Комиссия

PRICE CODE

J

For price, see current catalogue

INTERNATIONAL ELECTROTECHNICAL COMMISSION

FIBRE OPTIC CONNECTOR INTERFACES –

**Part 4-1: Type SC connector family –
Simplified receptacle SC-PC connector interfaces**

FOREWORD

- 1) The IEC (International Electrotechnical Commission) is a worldwide organization for standardization comprising all national electrotechnical committees (IEC National Committees). The object of the IEC is to promote international co-operation on all questions concerning standardization in the electrical and electronic fields. To this end and in addition to other activities, the IEC publishes International Standards. Their preparation is entrusted to technical committees; any IEC National Committee interested in the subject dealt with may participate in this preparatory work. International, governmental and non-governmental organizations liaising with the IEC also participate in this preparation. The IEC collaborates closely with the International Organization for Standardization (ISO) in accordance with conditions determined by agreement between the two organizations.
- 2) The formal decisions or agreements of the IEC on technical matters express, as nearly as possible, an international consensus of opinion on the relevant subjects since each technical committee has representation from all interested National Committees.
- 3) The documents produced have the form of recommendations for international use and are published in the form of standards, technical specifications, technical reports or guides and they are accepted by the National Committees in that sense.
- 4) In order to promote international unification, IEC National Committees undertake to apply IEC International Standards transparently to the maximum extent possible in their national and regional standards. Any divergence between the IEC Standard and the corresponding national or regional standard shall be clearly indicated in the latter.
- 5) The IEC provides no marking procedure to indicate its approval and cannot be rendered responsible for any equipment declared to be in conformity with one of its standards.
- 6) Attention is drawn to the possibility that some of the elements of this International Standard may be the subject of patent rights. The IEC shall not be held responsible for identifying any or all such patent rights.

International Standard IEC 61754-4-1 has been prepared by subcommittee 86B: Fibre optic interconnecting devices and passive components, of IEC technical committee 86: Fibre optics.

The text of this standard is based on the following documents:

FDIS	Report on voting
86B/1760/FDIS	86B/1809/RVD

Full information on the voting for the approval of this standard can be found in the report on voting indicated in the above table.

This publication has been drafted in accordance with the ISO/IEC Directives, Part 2.

IEC 61754 consists of multiple parts, under the general title *Fibre optic connector interfaces*.

- Part 1, entitled *General and guidance*, covers general information.
- Subsequent parts contain interfaces for various connector families.

The committee has decided that the contents of this publication will remain unchanged until 2007. At this date, the publication will be

- reconfirmed;
- withdrawn;
- replaced by a revised edition, or
- amended.

A bilingual version of this publication may be issued at a later date.

iTeh STANDARD PREVIEW (standards.iteh.ai)

SIST EN 61754-4-1:2004

<https://standards.iteh.ai/catalog/standards/sist/889f6e1-8a8e-41b7-a99f-a70e600e62e0/sist-en-61754-4-1-2004>

FIBRE OPTIC CONNECTOR INTERFACES –

Part 4-1: Type SC connector family – Simplified receptacle SC-PC connector interfaces

1 Scope

This part of IEC 61754 defines the standard interface dimensions of simplified receptacles for the type SC family of connectors.

2 Description

The parent connector for the type SC connector family is a single-position plug which is characterized by a cylindrical, spring-loaded butting ferrule(s) of 2,5 mm typical diameter, and a push-pull coupling mechanism.

The simplified receptacles are made up of simplified receptacle housings and simplified plugs. The simplified receptacle housings are used to retain the connector plug and mechanically maintain the optical datum target of the plugs at a defined position within the simplified receptacle housings. A spring is not included in the simplified plug. The simplified plug is removed with aid of a tool. The optical alignment mechanism of the connector is of a resilient sleeve style.

3 Interfaces

[SIST EN 61754-4-1:2004](https://standards.iteh.ai/catalog/standards/sist/889f6e1-8a8e-41b7-a99f-a70e600e62e0/sist-en-61754-4-1-2004)

[https://standards.iteh.ai/catalog/standards/sist/889f6e1-8a8e-41b7-a99f-](https://standards.iteh.ai/catalog/standards/sist/889f6e1-8a8e-41b7-a99f-a70e600e62e0/sist-en-61754-4-1-2004)

[a70e600e62e0/sist-en-61754-4-1-2004](https://standards.iteh.ai/catalog/standards/sist/889f6e1-8a8e-41b7-a99f-a70e600e62e0/sist-en-61754-4-1-2004)

This standard contains the following standard interfaces.

- Interface 4-21: simplified receptacles housings interface
- Interface 4-22: simplified plugs interface

The simplified plug has a ferrule with a spherical polished ferrule endface, and realizes physical contact (PC).

The following interfaces are intermateable:

Interface 4-21 mates with interface 4-22.

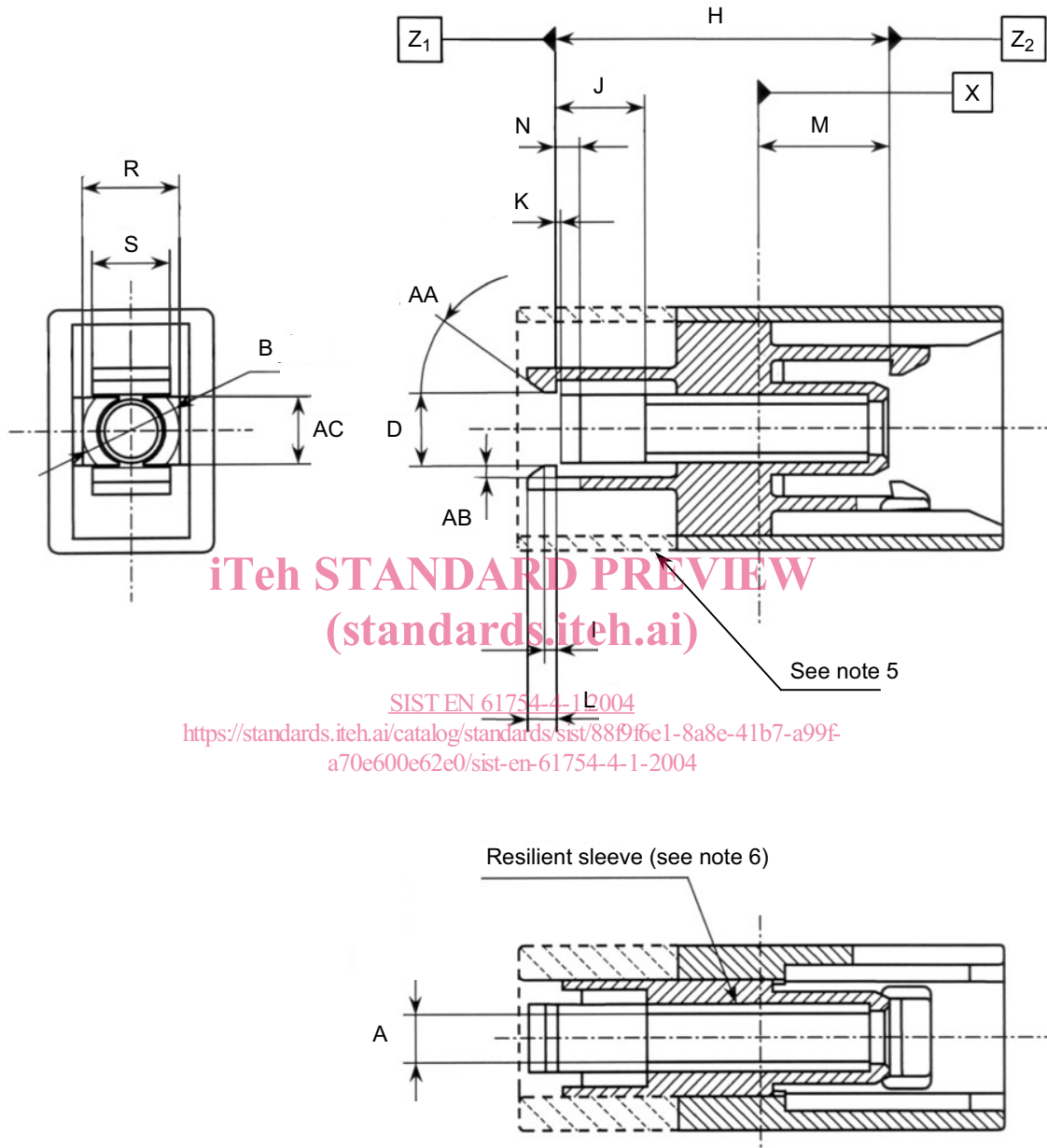


Figure 1a – Simplified receptacle housings interface