



**SLOVENSKI STANDARD**  
**SIST ISO 7789:2000**

**01-september-2000**

---

**Fluidna tehnika - Hidravlika - Dvo-, tri- in štiripotni uvijalni vložni ventili - Vložna gnezda**

Hydraulic fluid power -- Two-, three- and four-port screw-in cartridge valves -- Cavities

Transmissions hydrauliques -- Distributeurs à cartouche à visser à deux, trois et quatre orifices -- Logements

**STANDARD PREVIEW**  
**(standards.iteh.ai)**

Ta slovenski standard je istoveten z: **ISO 7789:1998**  
<https://standards.iteh.ai/catalog/standards/sist/6b6d163c-cc86-40f2-8731-cb93c80b613f/sist-iso-7789-2000>

**ICS:**

23.100.50      Krmilni sestavni deli      Control components

**SIST ISO 7789:2000**      en

**iTeh STANDARD PREVIEW**  
**(standards.iteh.ai)**

SIST ISO 7789:2000

<https://standards.iteh.ai/catalog/standards/sist/6b6d165c-cc86-40f2-8731-cb93c80b613f/sist-iso-7789-2000>

# INTERNATIONAL STANDARD

**ISO  
7789**

First edition  
1998-04-15

---

---

## Hydraulic fluid power — Two, three- and four-port screw-in cartridge valves — Cavities

*Transmissions hydrauliques — Distributeurs à cartouche à visser à deux,  
trois et quatre orifices — Logements*

**iTeh STANDARD PREVIEW**  
**(standards.iteh.ai)**

[SIST ISO 7789:2000](https://standards.iteh.ai/catalog/standards/sist/6b6d165c-cc86-40f2-8731-cb93c80b613f/sist-iso-7789-2000)

[https://standards.iteh.ai/catalog/standards/sist/6b6d165c-cc86-40f2-8731-  
cb93c80b613f/sist-iso-7789-2000](https://standards.iteh.ai/catalog/standards/sist/6b6d165c-cc86-40f2-8731-cb93c80b613f/sist-iso-7789-2000)



Reference number  
ISO 7789:1998(E)

**ISO 7789:1998(E)****Foreword**

ISO (the International Organization for Standardization) is a worldwide federation of national standards bodies (ISO member bodies). The work of preparing International Standards is normally carried out through ISO technical committees. Each member body interested in a subject for which a technical committee has been established has the right to be represented on that committee. International organizations, governmental and non-governmental, in liaison with ISO, also take part in the work. ISO collaborates closely with the International Electrotechnical Commission (IEC) on all matters of electrotechnical standardization.

Draft International Standards adopted by the technical committees are circulated to the member bodies for voting. Publication as an International Standard requires approval by at least 75 % of the member bodies casting a vote.

International Standard ISO 7789 was prepared by technical committee ISO/TC 5, *Fluid power systems*, Subcommittee SC 5, *Control products and components*.

Annex A forms an integral part of this International Standard. Annex B is for information only.

**iTeh STANDARD PREVIEW**  
**(standards.iteh.ai)**

[SIST ISO 7789:2000](https://standards.iteh.ai/catalog/standards/sist/6b6d165c-cc86-40f2-8731-cb93c80b613f/sist-iso-7789-2000)

<https://standards.iteh.ai/catalog/standards/sist/6b6d165c-cc86-40f2-8731-cb93c80b613f/sist-iso-7789-2000>

© ISO 1998

All rights reserved. Unless otherwise specified, no part of this publication may be reproduced or utilized in any form or by any means, electronic or mechanical, including photocopying and microfilm, without permission in writing from the publisher.

International Organization for Standardization  
Case postale 56 • CH-1211 Genève 20 • Switzerland  
Internet central@iso.ch  
X.400 c=ch; a=400net; p=iso; o=isocs; s=central

Printed in Switzerland

## Introduction

In hydraulic fluid power systems, power is transmitted and controlled through a liquid under pressure within an enclosed circuit. Typical components found in such systems include hydraulic valves. These devices control flow direction, pressure or flow rate liquids in the enclosed circuit.

## iTeh STANDARD PREVIEW (standards.iteh.ai)

[SIST ISO 7789:2000](https://standards.iteh.ai/catalog/standards/sist/6b6d165c-cc86-40f2-8731-cb93c80b613f/sist-iso-7789-2000)

<https://standards.iteh.ai/catalog/standards/sist/6b6d165c-cc86-40f2-8731-cb93c80b613f/sist-iso-7789-2000>

**iTeh STANDARD PREVIEW**  
**(standards.iteh.ai)**

SIST ISO 7789:2000

<https://standards.iteh.ai/catalog/standards/sist/6b6d165c-cc86-40f2-8731-cb93c80b613f/sist-iso-7789-2000>

# Hydraulic fluid power — Two-, three- and four-port screw-in cartridge valves — Cavities

## 1 Scope

This International Standard specifies the dimensions and provides other data relating to cavities in which two-, three- and four-port, screw-in cartridge valves are mounted in order to ensure interchangeability.

It is applicable to two-, three- and four-port screw-in cartridge valves generally used in industrial, agricultural, mining and mobile equipment.

## iTeh STANDARD PREVIEW (standards.iteh.ai)

## 2 Normative references

[SIST ISO 7789:2000](#)

The following standards contain provisions which, through reference of this text, constitute provisions of this International Standard. At the time of publication, the editions indicated were valid. All standards are subject to revision, and parties to agreements based on this International Standard are encouraged to investigate the possibility of applying the most recent editions of the standards indicated below. Members of IEC and ISO maintain registers of currently valid International Standards.

ISO 5598:1985, *Fluid power systems and components — Vocabulary.*

ISO 5783:1995, *Hydraulic fluid power — Code for identification of valve mounting surfaces and cartridge cavities.*

ISO 6149-1:1993, *Connections for fluid power and general use — Ports and stud ends with ISO 261 thread and O-ring sealing — Part 1: Ports with O-ring seal in truncated housing.*

ISO 9461:1992, *Hydraulic fluid power — Identification of valve ports, subplates, control devices and solenoids.*

## 3 Definitions

For the purposes of this International Standard, the definitions given in ISO 5598 apply.

## 4 Dimensions

4.1 The dimensions of cavities for hydraulic screw-in cartridge valves with two-, three- and four-port shall be selected from the tables specified in 4.2 to 4.10.

**4.2** The dimensions of cavities for two-port valves (excluding main system pressure relief valves) with 5 mm to 20,5 mm maximum port diameter are shown in figure 1 and given in table 1a).

**4.3** The dimensions of cavities for two-port main system pressure relief valves with 5 mm to 20,5 mm maximum port diameter and with flow direction from port 1 to port 2, are shown in figure 2 and given in table 2a).

**4.4** The dimensions of cavities for two-port main system pressure relief valves with 6 mm to 20,5 mm maximum port diameter and with flow direction from port 2 to port 1, are shown in figure 3 and given in table 3a).

**4.5** The dimensions of cavities for three-port valves with 6 mm to 20,5 mm maximum port diameter are shown in figure 4 and given in table 4a).

**4.6** The dimensions of cavities for four-port valves with 6 mm to 20,5 mm maximum port diameter are shown in figure 5 and given in table 5a).

**4.7** The dimensions of cavities for two-port valves (excluding main system pressure relief valves) with 10,5 mm to 20,5 mm maximum main port diameter and one pilot port are shown in figure 6 and given in table 6a).

**4.8** The dimensions of cavities for two-port main system pressure relief valves with 10,5 mm to 20,5 mm maximum main port diameter, one pilot port and with flow direction from port 1 to port 2 are shown in figure 7 and given in table 7a).

**4.9** The dimensions of cavities for two-port main system pressure relief valves with 10,5 mm to 20,5 mm maximum main port diameter, one pilot port and with flow direction from port 2 to port 1 are shown in figure 8 and given in table 8a).

**4.10** The dimensions of cavities for three-port valves with 10,5 mm to 20,5 mm maximum main port diameter and one pilot port are shown in figure 9 and given in table 9a).

## 5 Tolerances

Tolerances values for all dimensions and surface roughnesses are given in figures 1 to 9 and in tables 1a), 2a), 3a), 4a), 5a), 6a), 7a), 8a) and 9a), in accordance with ISO 1101 and ISO 1302.

## 6 Ports usage and identification

**6.1** Interchangeability of cartridge valves in the cavities defined by this International Standard requires uniform identifications and functions of the valve ports. Symbols for the valve types intended for use in each cavity are shown in tables 1b), 2b), 3b), 4b), 5b), 6b), 7b), 8b) and 9b). Port usage and identification (1, 2, 3 and 4) are shown on the symbols.

**6.2** The tabulated symbols illustrate general types of valves. Variations within each type shall be conform to the port usage convention shown for that type.

**6.3** Some of the tabulated symbols are commonly combined with other graphic elements to represent complete valve. For example four-port directional control valve shown in figure 10 normally includes operators such as solenoids or springs. Interchangeability of such complete valves requires that the combined symbols, including the added elements, be identical as to port connection in each operator condition.



**7 Identification statement** (Reference to this International Standard)

It is strongly recommended that manufacturers use the following statement in test reports, catalogues and sales literature when electing to comply with this International Standard:

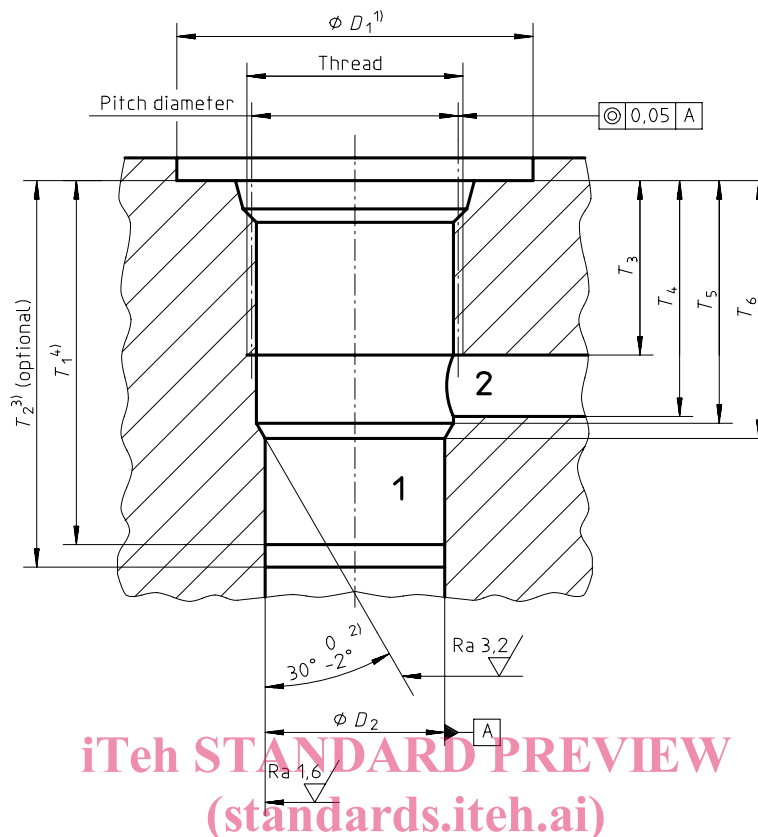
"Cavity dimensions and port usage are in accordance with ISO 7789:1998, *Hydraulic fluid power — Two-, three- and four-port screw-in cartridge valves — Cavities.*"

**iTeh STANDARD PREVIEW**  
**(standards.iteh.ai)**

[SIST ISO 7789:2000](https://standards.iteh.ai/catalog/standards/sist/6b6d165c-cc86-40f2-8731-cb93c80b613f/sist-iso-7789-2000)

<https://standards.iteh.ai/catalog/standards/sist/6b6d165c-cc86-40f2-8731-cb93c80b613f/sist-iso-7789-2000>

Tolerances in millimetres,  
surface roughness in micrometres



iTeh STANDARD PREVIEW  
(standards.iteh.ai)

NOTE — For footnotes 1) to 4), see page 22.

SIST ISO 7789:2000

Figure 1 — Cavities for two-port valves (to excluding main system pressure relief valves) with 5 mm to 20,5 mm maximum port diameter

Table 1a) — Dimensions

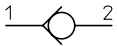

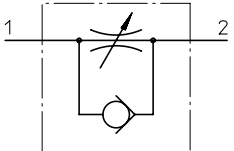

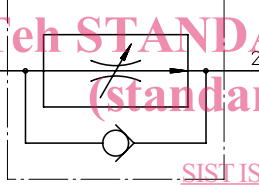
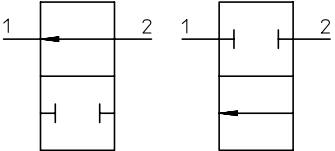
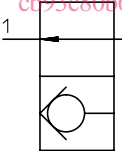
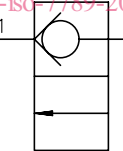
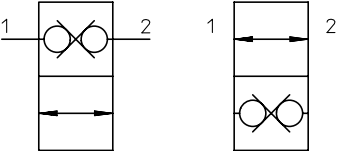
Dimensions in millimetres

| Codification <sup>1)</sup>                              | 7789       |            |            |            |            |            |
|---|------------|------------|------------|------------|------------|------------|
|   | 18-01-0-98 | 20-01-0-98 | 22-01-0-98 | 27-01-0-98 | 33-01-0-98 | 42-01-0-98 |
| Thread <sup>2)</sup>                                    | M18×1,5    | M20×1,5    | M22×1,5    | M27×2      | M33×2      | M42×2      |
| $D_1$ min.  | 32         | 38         | 42         | 48         | 58         | 74         |
| $D_2$ H8  | 15         | 17         | 19         | 23         | 29         | 38         |
| $T_1$ min.  | 29,5       | 30,5       | 38,5       | 46,5       | 50         | 56         |
| $T_2$ $\begin{smallmatrix} +1 \\ 0 \end{smallmatrix}$   | 31         | 32         | 40         | 48         | 52         | 58         |
| $T_3$ min.  | 14,5       | 14,5       | 17         | 22         | 22         | 23         |
| $T_4$ max.  | 19,5       | 20,5       | 27,5       | 35         | 38,5       | 43,5       |
| $T_5$ $\begin{smallmatrix} +0,4 \\ 0 \end{smallmatrix}$ | 20         | 21         | 28         | 35,5       | 39         | 44         |
| $T_6$ $\begin{smallmatrix} +0,4 \\ 0 \end{smallmatrix}$ | 21,3       | 22,3       | 29,3       | 37,2       | 40,7       | 45,7       |

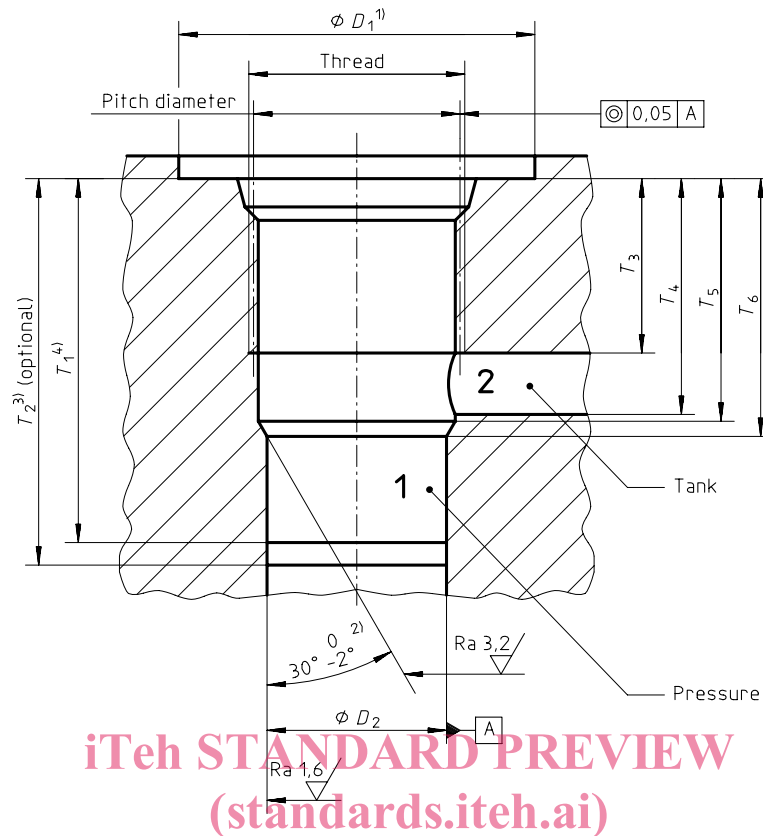
1) Codification is in accordance with ISO 5783.

2) The port is in accordance with ISO 6149-1.

Table 1b) — Symbols for valves entering the cavities shown in figure 1

| Description   | Symbol  | Description   | Symbol  |
|---|---|---|---|
| Non-return valve  |    | Throttle non-return valve   |    |
| Flow control valve with free flow return check                      |    | Pressure-compensated flow control valve   |    |
| Pressure-compensated flow control valve with free flow return check |   | Two-port directional control valve  |   |
| Two-port directional control poppet (seat) valve                    |  |  |  |

Tolerances in millimetres,  
surface roughness in micrometres



NOTE — For footnotes 1) to 4), see page 22.

SIST ISO 7789:2000

Figure 2 — Cavities for two-port main system pressure relief valves with 5 mm to 20,5 mm maximum port diameter and with flow direction from port 1 to port 2

Table 2a) — Dimensions

Dimensions in millimetres

| Codification <sup>1)</sup>                              | 7789       |            |            |            |            |            |
|---|------------|------------|------------|------------|------------|------------|
|   | 18-02-0-98 | 20-02-0-98 | 22-02-0-98 | 27-02-0-98 | 33-02-0-98 | 42-02-0-98 |
| Thread <sup>2)</sup>                                    | M18×1,5    | M20×1,5    | M22×1,5    | M27×2      | M33×2      | M42×2      |
| $D_1$ min.  | 32         | 38         | 42         | 48         | 58         | 74         |
| $D_2$ H8  | 13,5       | 15,5       | 17,5       | 21,5       | 27         | 36         |
| $T_1$ min.  | 30,5       | 31,5       | 40         | 48         | 52         | 58         |
| $T_2$ $\begin{smallmatrix} +1 \\ 0 \end{smallmatrix}$   | 32         | 33         | 41,5       | 49,5       | 54         | 60         |
| $T_3$ min.  | 14,5       | 14,5       | 17         | 22         | 22         | 23         |
| $T_4$ max.  | 19,5       | 20,5       | 27,5       | 35         | 38,5       | 43,5       |
| $T_5$ $\begin{smallmatrix} +0,4 \\ 0 \end{smallmatrix}$ | 20         | 21         | 28         | 35,5       | 39         | 44         |
| $T_6$ $\begin{smallmatrix} +0,4 \\ 0 \end{smallmatrix}$ | 22,6       | 23,6       | 30,6       | 38,5       | 42,5       | 47,5       |

1) Codification is in accordance with ISO 5783.  
2) The port is in accordance with ISO 6149-1.