
International Standard



7852

INTERNATIONAL ORGANIZATION FOR STANDARDIZATION • МЕЖДУНАРОДНАЯ ОРГАНИЗАЦИЯ ПО СТАНДАРТИЗАЦИИ • ORGANISATION INTERNATIONALE DE NORMALISATION

Earth-moving machinery — Plough bolt heads — Shapes and dimensions (excluding thread dimensions)

Engins de terrassement — Têtes des boulons de soc — Formes et dimensions (à l'exception des dimensions des filetages)

First edition — 1983-12-01

ITeH STANDARD PREVIEW
(standards.iteh.ai)

[ISO 7852:1983](https://standards.iteh.ai/catalog/standards/sist/63d9bfbf-3ba9-40e0-8c7f-df1da68f0acf/iso-7852-1983)

<https://standards.iteh.ai/catalog/standards/sist/63d9bfbf-3ba9-40e0-8c7f-df1da68f0acf/iso-7852-1983>

UDC 621.882.6 : 621.878 / .879

Ref. No. ISO 7852-1983 (E)

Descriptors : earth handling equipment, bolts, shape, dimensions.

Foreword

ISO (the International Organization for Standardization) is a worldwide federation of national standards bodies (ISO member bodies). The work of developing International Standards is carried out through ISO technical committees. Every member body interested in a subject for which a technical committee has been authorized has the right to be represented on that committee. International organizations, governmental and non-governmental, in liaison with ISO, also take part in the work.

Draft International Standards adopted by the technical committees are circulated to the member bodies for approval before their acceptance as International Standards by the ISO Council.

International Standard ISO 7852 was developed by Technical Committee ISO/TC 127, *Earth-moving machinery*, and was circulated to the member bodies in December 1982.

It has been approved by the member bodies of the following countries :

| | | |
|----------------|---------------------|----------------|
| Australia | Egypt, Arab Rep. of | Sweden |
| Austria | Italy | United Kingdom |
| Belgium | Japan | USA |
| Brazil | Mexico | USSR |
| Bulgaria | Poland | |
| Czechoslovakia | Romania | |

No member body expressed disapproval of the document.

Earth-moving machinery — Plough bolt heads — Shapes and dimensions (excluding thread dimensions)

iTeh STANDARD PREVIEW (standards.iteh.ai)

1 Scope and field of application

This International Standard specifies the shapes and lays down the dimensions of the heads of plough bolts (excluding thread dimensions) used for mounting of cutting edges, end bits, bucket teeth etc. of earth-moving machinery as defined in ISO 6165 taking into consideration the interchangeability.

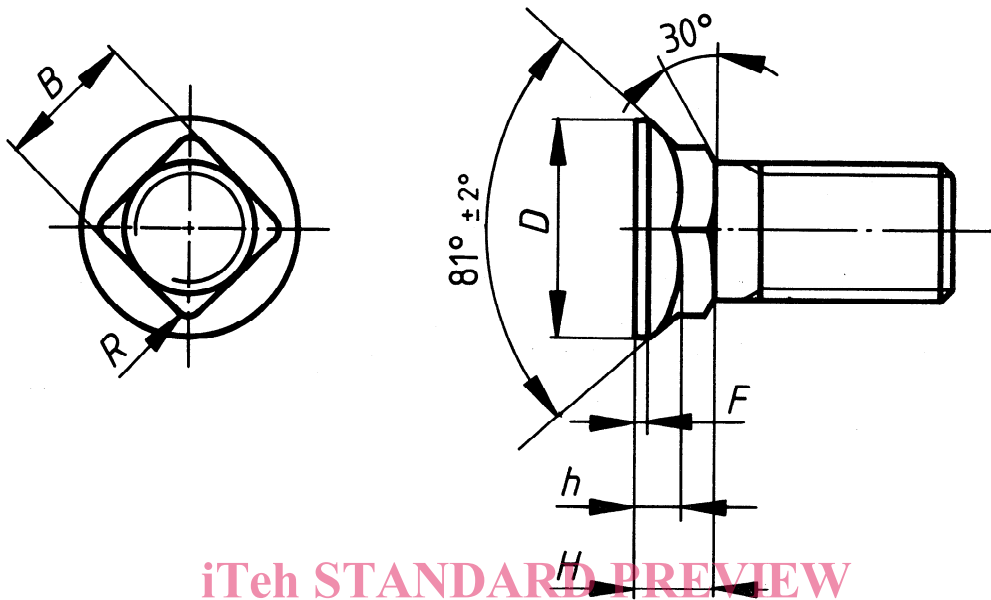
2 References

ISO 6165, *Earth-moving machinery — Basic types — Vocabulary.*

ISO 7129, *Earth-moving machinery — Tractors with dozer, graders, tractor scrapers — Cutting edges — Principal shapes and basic dimensions.*

3 Shapes and dimensions of plough bolt heads

The shapes and dimensions of plough bolt heads shall be as in figure 1 and table 1.



iTeh STANDARD PREVIEW
(standards.iteh.ai)

Figure 1 – Shapes and dimensions of plough bolt heads

ISO 7852:1983

<https://standards.iteh.ai/catalog/standards/sist/63d9bffb-3ba9-40e0-8c7f-df1da68f0acf/iso-7852-1983>

Table 1 – Dimensions of plough bolt heads

Dimensions in millimetres

| Type | B | | R Approximately | D | | F Max. | H | | h Approximately |
|------|---------|------------|--------------------|---------|------------|-----------|------|------|--------------------|
| | Nominal | Tolerance | | Nominal | Tolerance | | Max. | Min. | |
| 1 | 12,7 | + 0,4 0 | 2,0 | 22,2 | + 0,8 0 | 1,1 | 9,4 | 8,3 | 6,7 |
| 2 | 15,9 | + 0,4 0 | 2,0 | 27,0 | + 0,8 0 | 1,3 | 12,3 | 11,1 | 7,8 |
| 3 | 19,0 | + 0,4 0 | 2,0 | 31,0 | + 0,8 0 | 2,0 | 14,4 | 13,2 | 9,0 |
| 4 | 22,2 | + 0,8 0 | 2,4 | 35,7 | + 0,9 0 | 3,2 | 17,2 | 15,6 | 11,1 |
| 5 | 25,4 | + 0,8 0 | 2,4 | 40,5 | + 0,9 0 | 5,0 | 20,0 | 18,4 | 13,8 |
| 6 | 31,8 | + 0,8 0 | 2,4 | 53,5 | + 1,4 0 | 5,0 | 27,0 | 25,4 | 17,7 |

Annex

Shapes and dimensions of plough bolt heads having a 90° countersunk angle

(This annex forms an integral part of the standard.)

A.1 Field of application

This annex is applicable to those countries using plough bolts having a 90° countersunk angle.

A.2 Shapes and dimensions of plough bolt heads with a 90° countersunk angle

The shapes and dimensions of plough bolt heads shall be as in figure 2 and table 2.

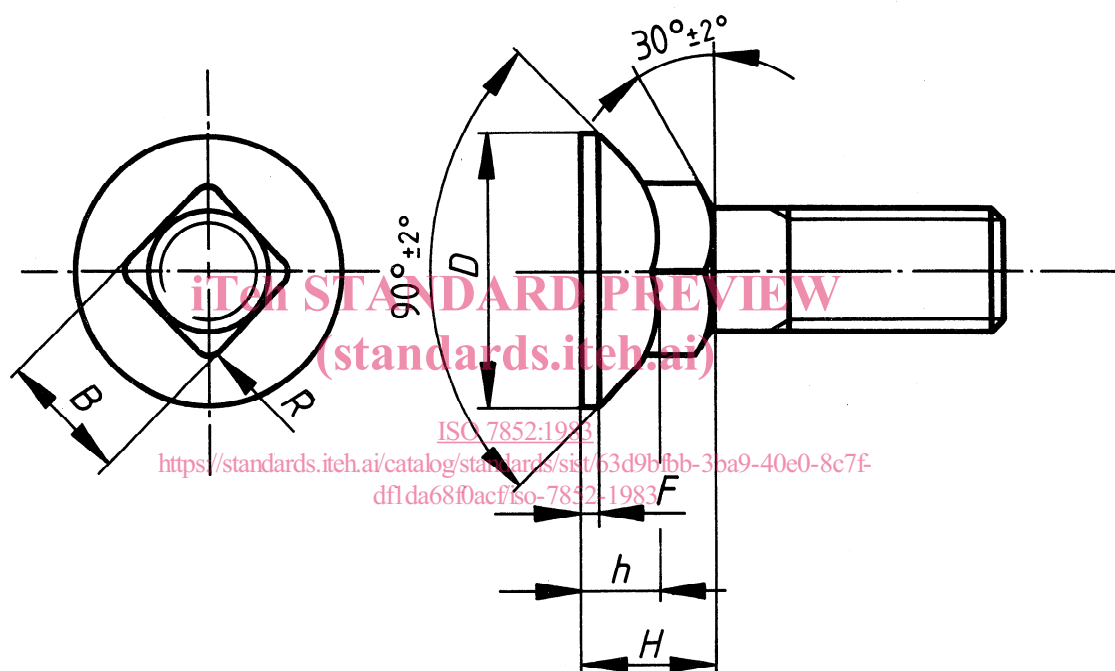


Figure 2 — Shapes and dimensions of plough bolt heads with a 90° countersunk angle

Table 2 — Dimensions of plough bolt heads with a 90° countersunk angle

Dimensions in millimetres

| Type | B | | R Approximately | D | | F | H | | h Approximately |
|------|---------|-------------|--------------------|---------|-----------|-----|---------|-----------|--------------------|
| | Nominal | Tolerance | | Nominal | Tolerance | | Nominal | Tolerance | |
| 1 | 12 | + 0,70 0 | 2,0 | 23 | ± 0,65 | 1 | 10 | ± 0,45 | 6,5 |
| 2 | 16 | + 0,70 0 | 2,0 | 28 | ± 0,65 | 1,5 | 12 | ± 0,55 | 7,5 |
| 3 | 20 | + 0,84 0 | 2,0 | 35 | ± 0,80 | 1,5 | 12 | ± 0,55 | 9,0 |
| 4 | 24 | + 0,84 0 | 2,4 | 42 | ± 0,80 | 2 | 18 | ± 0,65 | 11,0 |
| 5 | 36 | + 0,84 0 | 3,0 | 60 | ± 1,00 | 3 | 17,5 | ± 1,70 | 15,0 |

iTeh STANDARD PREVIEW
(standards.iteh.ai)

This page intentionally left blank

[ISO 7852:1983](#)

<https://standards.iteh.ai/catalog/standards/sist/63d9bfbb-3ba9-40e0-8c7f-dfd1da68f0acf/iso-7852-1983>

iTeh STANDARD PREVIEW
(standards.iteh.ai)

This page intentionally left blank

[ISO 7852:1983](#)

<https://standards.iteh.ai/catalog/standards/sist/63d9bffb-3ba9-40e0-8c7f-dfd1da68f0acf/iso-7852-1983>

iTeh STANDARD PREVIEW
(standards.iteh.ai)

This page intentionally left blank

[ISO 7852:1983](#)

<https://standards.iteh.ai/catalog/standards/sist/63d9bffb-3ba9-40e0-8c7f-df1da68f0acf/iso-7852-1983>