

TC 22

# INTERNATIONAL STANDARD

**ISO  
7879**

Second edition  
1990-04-01

---

---

## Road vehicles — Cradle-mounted in-line fuel injection pumps — Mounting dimensions

**iTeh STANDARD PREVIEW**  
*Véhicules routiers — Pompes d'injection en ligne avec fixation par  
berceau — Dimensions de montage*  
**(standards.iteh.ai)**

ISO 7879:1990

[https://standards.iteh.ai/catalog/standards/sist/d00b6815-92b6-475c-8e12-  
fdef7953c791/iso-7879-1990](https://standards.iteh.ai/catalog/standards/sist/d00b6815-92b6-475c-8e12-fdef7953c791/iso-7879-1990)



Reference number  
ISO 7879:1990(E)

## Foreword

ISO (the International Organization for Standardization) is a worldwide federation of national standards bodies (ISO member bodies). The work of preparing International Standards is normally carried out through ISO technical committees. Each member body interested in a subject for which a technical committee has been established has the right to be represented on that committee. International organizations, governmental and non-governmental, in liaison with ISO, also take part in the work. ISO collaborates closely with the International Electrotechnical Commission (IEC) on all matters of electrotechnical standardization.

Draft International Standards adopted by the technical committees are circulated to the member bodies for voting. Publication as an International Standard requires approval by at least 75 % of the member bodies casting a vote.

International Standard ISO 7879 was prepared by Technical Committee ISO/TC 22, *Road vehicles*.

This second edition cancels and replaces the first edition (ISO 7879:1983), of which it constitutes a minor revision.

Annex A of this International Standard is for information only.

iTeh STANDARD PREVIEW  
(standards.iteh.ai)

<https://standards.iteh.ai/catalog/standards/sist/d00b6815-92b6-475c-8e12-1def7953c791/iso-7879-1990>

© ISO 1990

All rights reserved. No part of this publication may be reproduced or utilized in any form or by any means, electronic or mechanical, including photocopying and microfilm, without permission in writing from the publisher.

International Organization for Standardization

Case Postale 56 • CH-1211 Genève 20 • Switzerland

Printed in Switzerland

# Road vehicles — Cradle-mounted in-line fuel injection pumps — Mounting dimensions

## 1 Scope

This International Standard specifies the dimensional requirements of cradle-mounted in-line fuel injection pumps.

## 3 Other dimensions and specifications

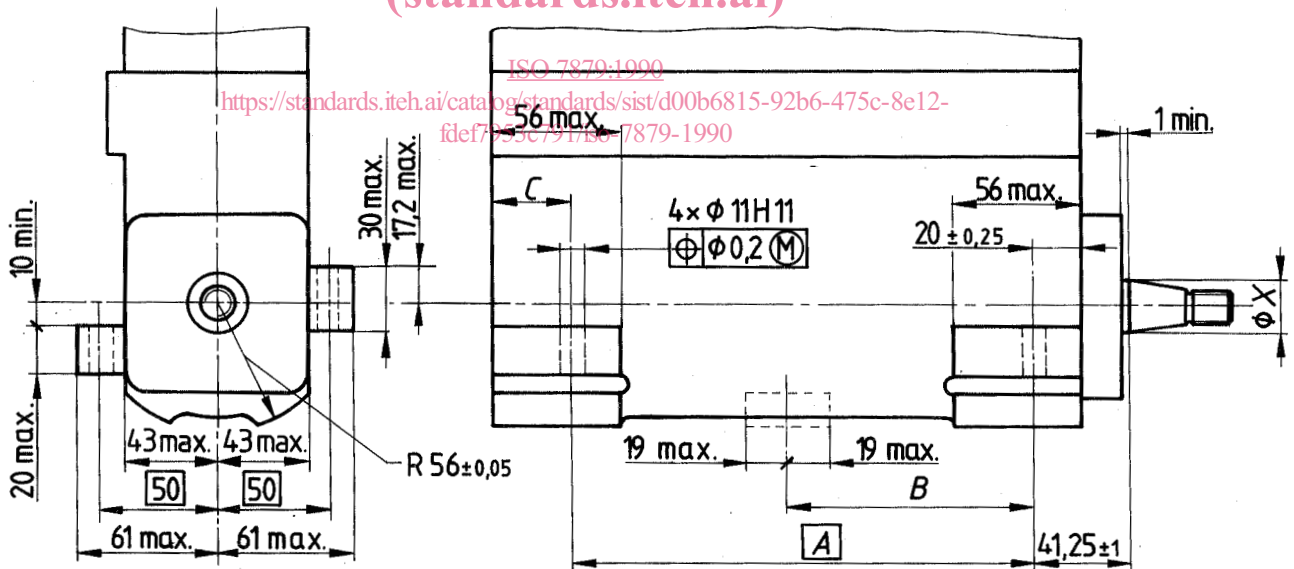
Dimensions and requirements not given in this International Standard are left to the manufacturer's choice.

## 2 Dimensions and tolerances

See figures 1, 2 and 3.

iTeh STANDARD PREVIEW  
(standards.iteh.ai)

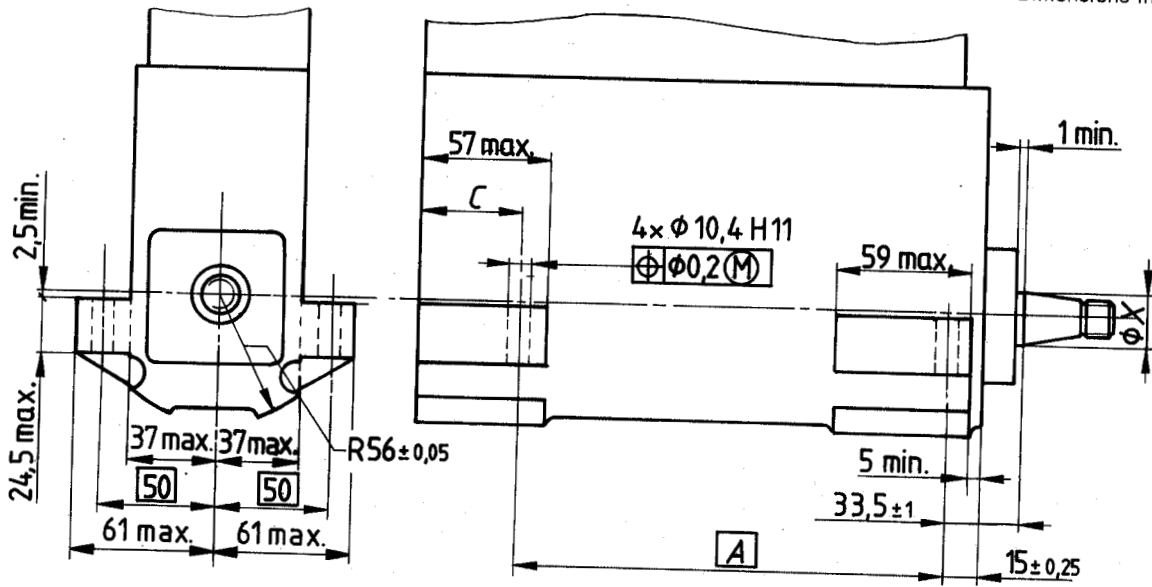
Dimensions in millimetres



Number of cylinders	X nom.	A	B	C ± 0,25
4	25 or 30	132	—	32
6		202	—	34,5
8		272	142,5	37

Figure 1 — Cradle-mounted in-line fuel injection pump — Type 1

Dimensions in millimetres

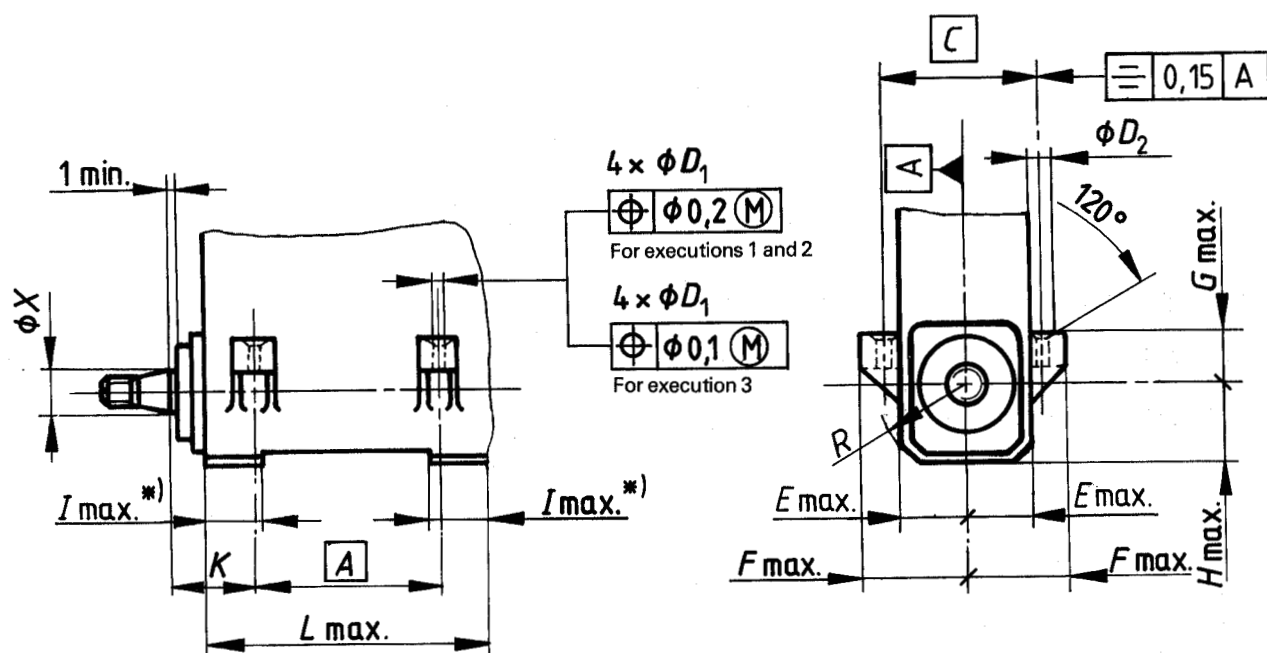


Number of cylinders	X nom.	A	C ± 0,25
4	25 or 30 ISO 7879:1990	132	37
6		202	31
8		272	45

Figure 2 — Cradle-mounted in-line fuel injection pump — Type 2

iTeh STANDARD PREVIEW  
(standards.iteh.ai)  
<https://standards.iteh.ai/catalog/standards/sist/d00b6815-9212-475c-8e12-1def7953c791/iso-7879-1990>

Dimensions in millimetres



\*) Maximum seating surface.

Execution	Number of cylinders	A	X nom.	C	D <sub>1</sub> H13	D <sub>2</sub> <sub>0,6</sub> <sub>0</sub>	E max.	F max.	G max.	H max.	I max.	K ± 1	L max.	R ± 0,05
1	4	120	17 or 20	84	8,5	15,5	32,5	55	28	39	55 <sup>1)</sup>	24,5	152	45
	6	184											216	
	8	248											280	
2	4	108	20 or 25	84	8,5	18	35	55	7	44	36	19,5	130	50
	6	164											186	
	8	218											240	
3	4	132	25 or 30	100	10,5	19,5	53	64	18	53	49	33,5	172	56
	6	202											242	
	8	272											312	
	10	345											385	
	12	415											455	

1) Only for execution 1: Maximum engine seating surface may extend over the whole length L max.

Figure 3 — Cradle-mounted in-line fuel injection pump — Type 3

**Annex A**  
**(informative)**

**Bibliography**

- [1] ISO 6519:1980, *Tapers for shaft ends and hubs for fuel injection pumps.*
- [2] ISO 7299:1984, *Road vehicles — End-mounting flanges for fuel injection pumps.*
- [3] ISO 7612:1983, *Base mounted in-line fuel injection pumps.*

---

**iTeh STANDARD PREVIEW**  
**(standards.iteh.ai)**

ISO 7879:1990

<https://standards.iteh.ai/catalog/standards/sist/d00b6815-92b6-475c-8e12-fdef7953c791/iso-7879-1990>

**iTeh STANDARD PREVIEW**  
**(standards.iteh.ai)**

ISO 7879:1990

<https://standards.iteh.ai/catalog/standards/sist/d00b6815-92b6-475c-8e12-fdef7953c791/iso-7879-1990>

**iTeh STANDARD PREVIEW**  
**(standards.iteh.ai)**

ISO 7879:1990

<https://standards.iteh.ai/catalog/standards/sist/d00b6815-92b6-475c-8e12-fdef7953c791/iso-7879-1990>

---

---

**UDC 621.43.038.5**

**Descriptors:** road vehicle, fuel handling equipment, pumps, Injection pumps, dimensions, connecting dimensions.

Price based on 4 pages

---

---