



SLOVENSKI STANDARD

SIST EN 14034-3:2006

01-september-2006

I [cHJj`Ub`Y`gd`cn]g`l`nbU]bcghj`cVU_cj`dfU i`E' "XY. I [cHJj`Ub`Y`gdcXb`Y`a`Y`Y`gd`cn]j`bcghj`GA9`cVU_cj`dfU i

Determination of explosion characteristics of dust clouds - Part 3: Determination of the lower explosion limit LEL of dust clouds

Bestimmung der Explosionskenngößen von Staub/Luft-Gemischen - Teil 3: Bestimmung der unteren Explosionsgrenze UEG von Staub/Luft-Gemischen

ITeh STANDARD PREVIEW

(standards) (nuage)
Détermination des caractéristiques d'explosion des nuages de poussiere - Partie 3: Détermination de la limite inférieure d'explosivité LIE des nuages de poussiere

SIST EN 14034-3:2006

<https://standards.iteh.ai/catalog/standards/sist/bf3365dd-5830-46f8-a744-979d4a701210/sist-en-14034-3-2006>

Ta slovenski standard je istoveten z: EN 14034-3:2006

ICS:

13.230

SIST EN 14034-3:2006

en

iTeh STANDARD PREVIEW
(standards.iteh.ai)

SIST EN 14034-3:2006

<https://standards.iteh.ai/catalog/standards/sist/bf3365dd-5830-46f8-a744-979d4a7b1210/sist-en-14034-3-2006>

ICS 13.230

English Version

Determination of explosion characteristics of dust clouds - Part 3: Determination of the lower explosion limit LEL of dust clouds

Détermination des caractéristiques d'explosion des nuages de poussière - Partie 3: Détermination de la limite inférieure d'explosivité LIE des nuages de poussière

Bestimmung der Explosionskenngrößen von Staub/Luft-Gemischen - Teil 3: Bestimmung der unteren Explosionsgrenze UEG von Staub/Luft-Gemischen

This European Standard was approved by CEN on 20 April 2006.

CEN members are bound to comply with the CEN/CENELEC Internal Regulations which stipulate the conditions for giving this European Standard the status of a national standard without any alteration. Up-to-date lists and bibliographical references concerning such national standards may be obtained on application to the Central Secretariat or to any CEN member.

This European Standard exists in three official versions (English, French, German). A version in any other language made by translation under the responsibility of a CEN member into its own language and notified to the Central Secretariat has the same status as the official versions.

CEN members are the national standards bodies of Austria, Belgium, Cyprus, Czech Republic, Denmark, Estonia, Finland, France, Germany, Greece, Hungary, Iceland, Ireland, Italy, Latvia, Lithuania, Luxembourg, Malta, Netherlands, Norway, Poland, Portugal, Romania, Slovakia, Slovenia, Spain, Sweden, Switzerland and United Kingdom.

[SIST EN 14034-3:2006](https://standards.iteh.ai/catalog/standards/sist/bf3365dd-5830-46f8-a744-979d4a7b1210/sist-en-14034-3-2006)

<https://standards.iteh.ai/catalog/standards/sist/bf3365dd-5830-46f8-a744-979d4a7b1210/sist-en-14034-3-2006>



EUROPEAN COMMITTEE FOR STANDARDIZATION
COMITÉ EUROPÉEN DE NORMALISATION
EUROPÄISCHES KOMITEE FÜR NORMUNG

Management Centre: rue de Stassart, 36 B-1050 Brussels

Contents

Page

Foreword.....	4
Introduction	5
1 Scope	6
2 Normative references	6
3 Terms and definitions	6
4 Test apparatus	7
4.1 General.....	7
4.2 Explosion vessel.....	7
4.3 Dust dispersion system (dust container, fast acting valve, connecting tube, dust disperser).....	9
4.4 Ignition source	12
4.5 Control unit.....	12
4.6 Pressure measuring system.....	12
5 Dust sample.....	12
6 Test procedure	12
7 Calibration and verification	14
7.1 Calibration	14
7.2 Verification	14
8 Safety precautions/instructions	15
9 Alternative test equipment/procedures	15
10 Test report	15
Annex A (normative) Electro Pneumatic Valve	17
Annex B (normative) Dust disperser with 5 mm holes.....	19
Annex C (normative) 20 l sphere	22
C.1 General.....	22
C.2 Test apparatus	22
C.3 Test conditions	23
C.4 Test procedure.....	23
Annex ZA (informative) Relationship between this European Standard and the Essential Requirements of EU Directive 94/9/EC	25
Bibliography.....	26

iTech STANDARD PREVIEW
(standards.iteh.ai)

SIST EN 14034-3:2006
<https://standards.iteh.ai/catalog/standards/sist/bf3365dd-5830-46f8-a744-979d4a7b1210/sist-en-14034-3-2006>

Figures

Figure 1 — 1 m ³ vessel (schematic).....	8
Figure 2 — Dust container with blasting cap activated valve as commonly used for explosion suppression (schematic; it is commercially available)	9
Figure 3 — Location of the 6 mm holes in the dust disperser.....	11
Figure 4 — Dust dispersion and pressure-time curve	13
Figure 5 — Determination of the lower explosion limit LEL	14
Figure A.1 — Electro Pneumatic Valve (schematic).....	17
Figure A.2 — Discharge characteristic of dust dispersers (without dust)	18

Figure B.1 — Location of the 5 mm holes in the dust disperser.....	20
Figure B.2 — Rebound nozzle.....	21
Figure B.3 — Dispersion cup	21
Figure C.1 — Test equipment 20 l sphere (schematic).....	23

Tables

Table ZA.1 — Correspondence between this European Standard and Directive 94/9/EC.....	25
---	----

iTeh STANDARD PREVIEW
(standards.iteh.ai)

[SIST EN 14034-3:2006](https://standards.iteh.ai/catalog/standards/sist/bf3365dd-5830-46f8-a744-979d4a7b1210/sist-en-14034-3-2006)

<https://standards.iteh.ai/catalog/standards/sist/bf3365dd-5830-46f8-a744-979d4a7b1210/sist-en-14034-3-2006>

Foreword

This document (EN 14034-3:2006) has been prepared by Technical Committee CEN/TC 305 "Potentially explosive atmospheres – Explosion prevention and protection", the secretariat of which is held by DIN.

This European Standard shall be given the status of a national standard, either by publication of an identical text or by endorsement, at the latest by November 2006, and conflicting national standards shall be withdrawn at the latest by November 2006.

This document has been prepared under a mandate given to CEN by the European Commission and the European Free Trade Association, and supports essential requirements of EU Directives.

For relationship with the EU Directive 94/9/EC, see informative Annex ZA, which is an integral part of this document.

This European Standard is one of a series of standards as listed below:

EN 14034 "Determination of explosion characteristics of dust clouds"

- Part 1: Determination of the maximum explosion pressure p_{max} of dust clouds;
- Part 2: Determination of the maximum rate of explosion pressure rise $(dp/dt)_{max}$ of dust clouds;
- Part 3: Determination of the lower explosion limit LEL of dust clouds;
- Part 4: Determination of the limiting oxygen concentration LOC of dust clouds.

According to the CEN/CENELEC Internal Regulations, the national standards organizations of the following countries are bound to implement this European Standard: Austria, Belgium, Cyprus, Czech Republic, Denmark, Estonia, Finland, France, Germany, Greece, Hungary, Iceland, Ireland, Italy, Latvia, Lithuania, Luxembourg, Malta, Netherlands, Norway, Poland, Portugal, Romania, Slovakia, Slovenia, Spain, Sweden, Switzerland and United Kingdom.

Introduction

This European Standard specifies a method for experimental determination of the lower explosion limit of dust clouds. The lower explosion limit is the lowest concentration of a combustible dust in mixture with air at which an explosion occurs. The measurement of the lower explosion limit forms the basis for hazard identification and explosion prevention.

Therefore this document gives added values to the following clauses of the EU directives:

- Directive 94/9/EC of the European Parliament and the Council of March 23, 1994 on the approximation of the laws of the member states concerning equipment and protective systems intended for use in potentially explosive atmospheres.

Annex II, Clause 1.0.1

- Directive 98/37/EC of the European Parliament and the Council of June 22, 1998 on the approximation of the laws of the member states relating to machinery

Annex I, Clause 1.5.7

iTeh STANDARD PREVIEW (standards.iteh.ai)

SIST EN 14034-3:2006

<https://standards.iteh.ai/catalog/standards/sist/bf3365dd-5830-46f8-a744-979d4a7b1210/sist-en-14034-3-2006>

1 Scope

This standard describes a test method for the determination of the lower explosion limit of dust clouds in a closed vessel under defined initial conditions of pressure and temperature.

This method is not suitable for use with recognised explosives, like gunpowder and dynamite, explosives which do not require oxygen for combustion, pyrophoric substances, or substances or mixtures of substances which may under some circumstances behave in a similar manner. Where any doubt exists about the existence of hazard due to explosive properties, expert advice should be sought.

2 Normative references

The following referenced documents are indispensable for the application of this document. For dated references, only the edition cited applies. For undated references, the latest edition of the referenced document (including any amendments) applies.

EN 14460, *Explosion resistant equipment*

3 Terms and definitions

For the purposes of this document, the following terms and definitions apply.

3.1 dust

small solid particles in the atmosphere (which settle out under their own weight, but which may remain suspended in air for some time (includes dust and grit, as defined in ISO 4225)

NOTE Generally maximum particle size will not exceed 500 μm .

3.2 combustible dust

dust able to undergo an exothermic reaction with air when ignited

NOTE The terms “flammable” and “combustible” are used synonymously.

3.3 explosion pressure

p_{ex}
highest overpressure occurring during an explosion of a dust cloud in a closed vessel

3.4 explosive atmosphere

mixture with air, under atmospheric conditions, of flammable (combustible) substances in the form of gases, vapours, mists or dusts, in which, after ignition has occurred, combustion spreads to the entire unburned mixture

3.5 ignition delay

t_v
time between the initiation of the dust dispersion and the activation of the ignition source

3.6 initial pressure

p_i
pressure in the explosion vessel at the moment of ignition

3.7**initial temperature** T_i

temperature in the explosion vessel at the moment of ignition

3.8**lower explosion limit (LEL)**

lowest concentration of a combustible dust in mixture with air at which an explosion occurs

4 Test apparatus**4.1 General**

The standard test apparatus to determine the lower explosion limit of dust clouds is an explosion pressure resistant vessel of 1 m³, as used for the determination of the maximum explosion pressure and the maximum rate of explosion pressure rise of dust clouds as well as the limiting oxygen concentration of dust/air/inert gas mixtures.

The main components of the test apparatus are

- explosion vessel;
- dust dispersion system;
- ignition source;
- control unit;
- pressure measuring system.

iTeh STANDARD PREVIEW
(standards.iteh.ai)

NOTE The 20 l sphere apparatus is an alternative explosion vessel for these determinations (see Annex C).

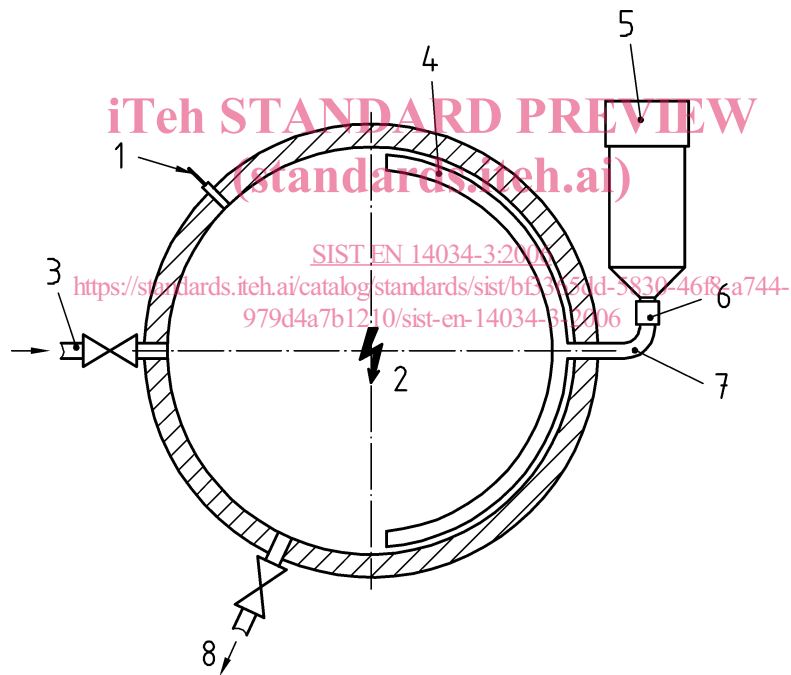
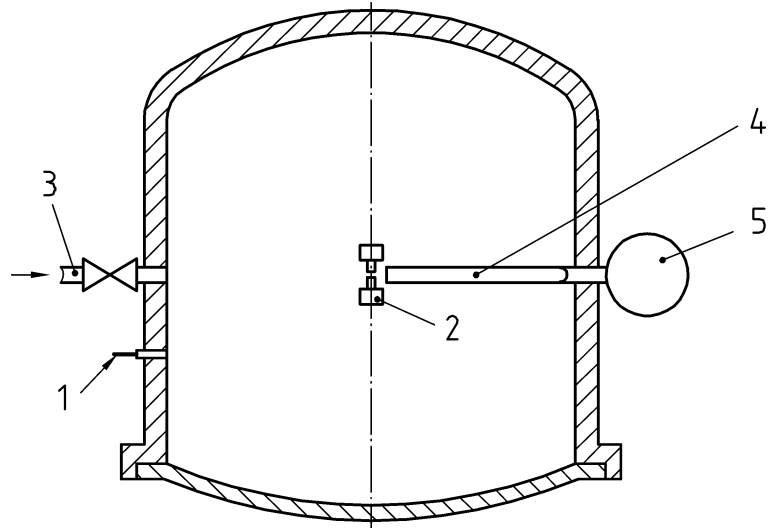
4.2 Explosion vessel

The standard explosion vessel is an explosion pressure resistant, spherical or cylindrical vessel having a volume of 1 m³ in accordance with EN 14460. The aspect ratio of the cylindrical vessel shall be 1:1 ± 10 % (see Figure 1).

NOTE It is recommended that the explosion vessel be designed to withstand an overpressure of at least 20 bar.

The apparatus shall be fitted with electrical and/or mechanical cut-offs as far as possible to ensure that any openings in the vessel (e.g. main door, instrument ports, inlet or outlet) are properly closed before a test procedure can start.

The apparatus shall also be equipped as far as possible to ensure that any residual pressure inside the vessel is vented before the vessel can be opened.



Key

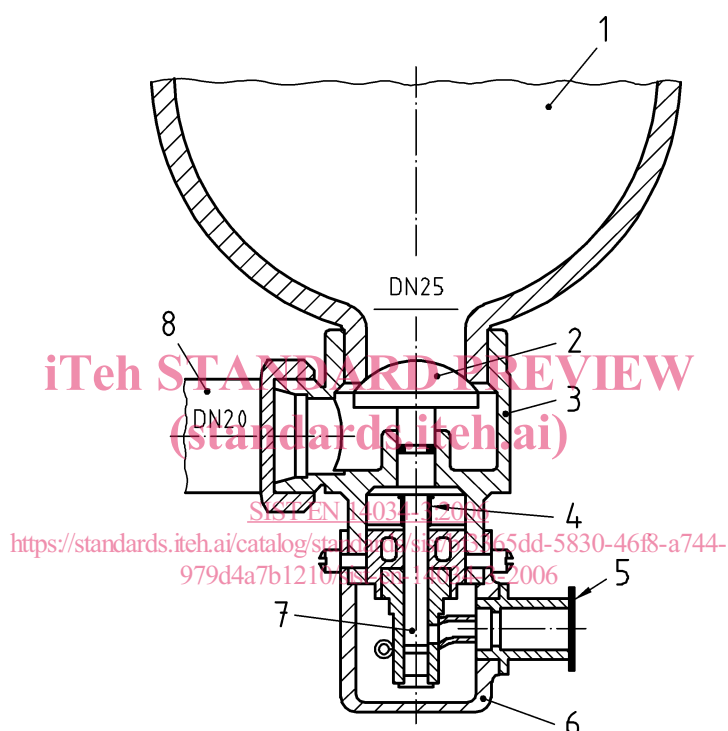
- | | | | |
|---|---------------------|---|------------------------|
| 1 | pressure sensor | 5 | dust container |
| 2 | chemical igniters | 6 | fast acting valve |
| 3 | inlet for purge air | 7 | connecting tube |
| 4 | dust disperser | 8 | outlet for exhaust gas |

Figure 1 — 1 m³ vessel (schematic)

4.3 Dust dispersion system (dust container, fast acting valve, connecting tube, dust disperser)

The dust to be dispersed is charged into a dust container having a volume of 5,4 dm³. Its aspect ratio is 3:1. It is designed to withstand an overpressure of at least 20 bar (see Figure 2).

The dust container has an outlet at the base, through which the dust leaves the container. This outlet is closed by a fast acting valve activated by a blasting cap. The valve has a mushroom-shaped seal. The seal is held in position against the pressure in the dust container by a small ring. The ring is destroyed by firing a blasting cap and the valve opens due to the pressure inside the dust container (see Figure 2). The valve shall be designed so that it opens in less than 10 ms. For alternative valves see Annex A. The fast acting valve is connected to the side of the explosion vessel. The connecting tube between the fast acting valve and the dust disperser shall be not longer than 350 mm (see Figure 1).



Key

1	dust container	5	protective hood
2	mushroom shaped seal	6	protective hood
3	seal housing	7	blasting cap
4	support ring	8	connecting tube

Figure 2 — Dust container with blasting cap activated valve as commonly used for explosion suppression (schematic; it is commercially available)

For dispersing the dust, a perforated semicircular spray pipe (dust disperser) is mounted inside the explosion vessel, concentric with its wall. The spray pipe, with an internal diameter of 21,7 mm¹⁾ is fitted with 13 holes of a diameter of 6 mm (incl. one hole in each end cap) which are located as shown in Figure 3 (see also Figure 1).

1) (e.g. EN ISO 1127, DN 20, 3/4")