



SLOVENSKI STANDARD
SIST EN 60061-4:1999/A8:2004
01-januar-2004

Vznožki in okovi žarnic in sijalk skupaj s kalibri za kontrolo medsebojne zamenljivosti in varnosti - 4. del: Smernice in splošne informacije - Dopolnilo A8 (IEC 60061-4:1990/A8:2003)

Lamp caps and holders together with gauges for the control of interchangeability and safety - Part 4: Guidelines and general information

Lampensockel und -fassungen sowie Lehren zur Kontrolle der Austauschbarkeit und Sicherheit - Teil 4: Leitfaden und allgemeine Informationen

Culots de lampes et douilles ainsi que calibres pour le contrôle de l'interchangeabilité et de la sécurité - Partie 4: Guide et information générale

Ta slovenski standard je istoveten z: EN 60061-4:1992/A8:2003

ICS:

29.140.10 Grla in držala žarnic Lamp caps and holders

SIST EN 60061-4:1999/A8:2004 en

iTeh STANDARD PREVIEW
(standards.iteh.ai)

[SIST EN 60061-4:1999/A8:2004](https://standards.iteh.ai/catalog/standards/sist/c8122bcc-911c-4dd3-899d-88b542c02f86/sist-en-60061-4-1999-a8-2004)

<https://standards.iteh.ai/catalog/standards/sist/c8122bcc-911c-4dd3-899d-88b542c02f86/sist-en-60061-4-1999-a8-2004>

EUROPEAN STANDARD

EN 60061-4/A8

NORME EUROPÉENNE

EUROPÄISCHE NORM

June 2003

ICS 29.140.10

English version

**Lamp caps and holders together with gauges
for the control of interchangeability and safety
Part 4: Guidelines and general information
(IEC 60061-4:1990/A8:2003)**

Culots de lampes et douilles
ainsi que calibres pour le contrôle
de l'interchangeabilité et de la sécurité
Partie 4: Guide et information générale
(CEI 60061-4:1990/A8:2003)

Lampensockel und -fassungen
sowie Lehren zur Kontrolle
der Austauschbarkeit und Sicherheit
Teil 4: Leitfaden und allgemeine
Informationen
(IEC 60061-4:1990/A8:2003)

iTeh STANDARD PREVIEW
(standards.iteh.ai)

[SIST EN 60061-4:1999/A8:2004](https://standards.iteh.ai/catalog/standards/sist/c8122bcc-911c-4dd3-899d-88b542c02f86/sist-en-60061-4-1999-a8-2004)

<https://standards.iteh.ai/catalog/standards/sist/c8122bcc-911c-4dd3-899d-88b542c02f86/sist-en-60061-4-1999-a8-2004>

This amendment A8 modifies the European Standard EN 60061-4:1992; it was approved by CENELEC on 2003-06-01. CENELEC members are bound to comply with the CEN/CENELEC Internal Regulations which stipulate the conditions for giving this amendment the status of a national standard without any alteration.

Up-to-date lists and bibliographical references concerning such national standards may be obtained on application to the Central Secretariat or to any CENELEC member.

This amendment exists in three official versions (English, French, German). A version in any other language made by translation under the responsibility of a CENELEC member into its own language and notified to the Central Secretariat has the same status as the official versions.

CENELEC members are the national electrotechnical committees of Austria, Belgium, Czech Republic, Denmark, Finland, France, Germany, Greece, Hungary, Iceland, Ireland, Italy, Luxembourg, Malta, Netherlands, Norway, Portugal, Slovakia, Spain, Sweden, Switzerland and United Kingdom.

CENELEC

European Committee for Electrotechnical Standardization
Comité Européen de Normalisation Electrotechnique
Europäisches Komitee für Elektrotechnische Normung

Central Secretariat: rue de Stassart 35, B - 1050 Brussels

Foreword

The text of document 34B/1073/FDIS, future amendment 8 to IEC 60061-4:1990, prepared by SC 34B, Lamp caps and holders, of IEC TC 34, Lamps and related equipment, was submitted to the IEC-CENELEC parallel vote and was approved by CENELEC as amendment A8 to EN 60061-4:1992 on 2003-06-01.

The following dates were fixed:

- latest date by which the amendment has to be implemented
at national level by publication of an identical
national standard or by endorsement (dop) 2004-03-01
- latest date by which the national standards conflicting
with the amendment have to be withdrawn (dow) 2006-06-01

Endorsement notice

The text of amendment 8:2003 to the International Standard IEC 60061-4:1990 was approved by CENELEC as an amendment to the European Standard without any modification.

iTeh STANDARD PREVIEW (standards.iteh.ai)

[SIST EN 60061-4:1999/A8:2004](https://standards.iteh.ai/catalog/standards/sist/c8122bcc-911c-4dd3-899d-88b542c02f86/sist-en-60061-4-1999-a8-2004)

<https://standards.iteh.ai/catalog/standards/sist/c8122bcc-911c-4dd3-899d-88b542c02f86/sist-en-60061-4-1999-a8-2004>

NORME
INTERNATIONALE

CEI
IEC

INTERNATIONAL
STANDARD

60061-4

Première édition
First edition
1990-02

Modifiée selon les Compléments:
Amended in accordance with Supplements:
A(1992), B(1994), C(1994), D(1995), et/and les amendements/amendments
5(1998), 6(2000), 7(2002) et/and 8(2003)

**Culots de lampes et douilles ainsi que calibres
pour le contrôle de l'interchangeabilité
et de la sécurité –**

iTeh STANDARD PREVIEW

**Quatrième partie:
Guide et information générale**

SIST EN 60061-4:1999/A8:2004

<https://standards.iteh.ai/catalog/standards/sist/c8122bcc-911c-4dd3-899d->

**Lamp caps and holders together with
gauges for the control of interchangeability
and safety –**

**Part 4:
Guidelines and general information**

© IEC 2003 Droits de reproduction réservés — Copyright - all rights reserved

Aucune partie de cette publication ne peut être reproduite ni utilisée sous quelque forme que ce soit et par aucun procédé, électronique ou mécanique, y compris la photocopie et les microfilms, sans l'accord écrit de l'éditeur.

No part of this publication may be reproduced or utilized in any form or by any means, electronic or mechanical, including photocopying and microfilm, without permission in writing from the publisher.

International Electrotechnical Commission, 3, rue de Varembe, PO Box 131, CH-1211 Geneva 20, Switzerland
Telephone: +41 22 919 02 11 Telefax: +41 22 919 03 00 E-mail: inmail@iec.ch Web: www.iec.ch



Commission Electrotechnique Internationale
International Electrotechnical Commission
Международная Электротехническая Комиссия

SOMMAIRE

	Pages
AVANT-PROPOS.....	4
INTRODUCTION.....	6

CONTENTS

	Page
FOREWORD.....	5
INTRODUCTION.....	7

	Feuilles		Sheet
Désignation internationale des culots de lampes et des douilles.....	7007-1-4	International designation of lamp caps and holders.....	7007-1-4
Nouveaux assemblages culot(socle)/douille; prescriptions de sécurité améliorée.....	7007-4-1	New cap(base)/holder fits; requirements for increased safety.....	7007-4-1
Politique sur la non-prolifération des assemblages culot/douille.....	7007-5-1	Non-proliferation policy lamp cap/holder fits.....	7007-5-1
Lignes de fuite et distances dans l'air pour culots sur lampes terminées.....	7007-6-2	Creepage distances and clearances for caps on finished lamps.....	7007-6-2
Adaptateurs multi-usage.....	7007-7-1	Multi-purpose adapters.....	7007-7-1
Indications sur le maintien des culots dans les douilles.....	7007-8-1	Guidelines for the retention of caps in holders.....	7007-8-1
Douille/connecteur.....	7007-9-1	Lampholder/connector.....	7007-9-1
Calibres de la Publication 60061 de la CEI.....	7007-10-1	Gauges in IEC Publication 60061.....	7007-10-1
Tolérances recommandées pour les calibres dans la Publication 60061 de la CEI.....	7007-11-2	Recommended tolerances for gauges in IEC Publication 60061.....	7007-11-2
Expression "soudure" dans les feuilles de normes culots de lampes.....	7007-12-1	Expression "solder" in lamp cap sheets.....	7007-12-1
Systèmes d'assemblage et de sécurité des lampes à culots E27 et E14.....	7007-20-1	Fit/safety systems for lamps with E27 and E14 caps.....	7007-20-1
Système d'ajustement E14		E14 fit system	
Diamètres nominaux de cols de lampes inférieurs à 22 mm.....	7007-21-1	Lamp neck diameters less than 22 mm nominal.....	7007-21-1
Lampes tubulaires à fluorescence munies de culots G5 et G13		G5 and G13 capped tubular fluorescent lamps	
Système de dimensionnement.....	7007-22-2	Dimensioning system.....	7007-22-2

EXPRESSION "SOLDER" IN LAMP CAP SHEETS

Page 2/2

In the context of endeavours to reduce the amount of solder for environmental and/or temperature reasons or even completely replace it by other techniques, the term "solder" automatically stands for any means of connection of the lamp lead-in wires to the cap.

As a consequence, the present maximum value for the height to contact dimension on unmounted caps (for example dimension D for Bayonet , T for Edison) may be exceeded, for example by using welding tubes.

For interchangeability, however, only the values "with solder" i.e. those for caps on finished lamps, are of interest.

iTeh STANDARD PREVIEW
(standards.iteh.ai)

[SIST EN 60061-4:1999/A8:2004](https://standards.iteh.ai/catalog/standards/sist/c8122bcc-911c-4dd3-899d-88b542c02f86/sist-en-60061-4-1999-a8-2004)

<https://standards.iteh.ai/catalog/standards/sist/c8122bcc-911c-4dd3-899d-88b542c02f86/sist-en-60061-4-1999-a8-2004>

GUIDELINES FOR THE RETENTION OF CAPS IN HOLDERS

Page 2/2

1. Introduction

IEC 60061 includes a number of cap/holder fits using metal springs intended to retain the lamp in the correct position in the holder.

With the following guideline, based on many years of experience, it should be possible to optimize such systems.

2. Purpose

This guideline is intended for future design, but could also be used to improve existing systems.

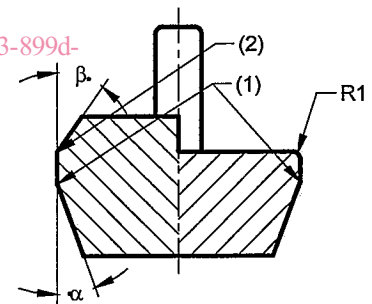
It gives information to the manufacturers of lamp caps and holders. Its purpose is to design optimized fit systems, with respect to insertion and withdrawal.

NOTE This guideline is not intended to change the existing standards in the IEC 60061 series.

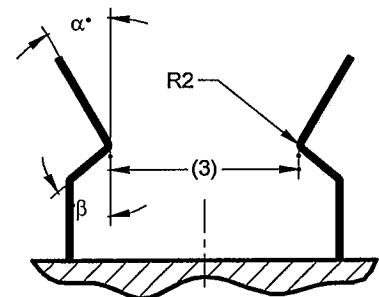
3 Insertion and withdrawal dimensions

The following dimensions are recommended for the lead-in/lead-out angles of the system:

CAP	Min.	Max.
	Lead-in angle (α)	20°
Lead-out angle (β)	35°	50°
Radius (R1)	1 mm	2 mm



HOLDER	Min.	Max.
Lead-in angle (α)	30°	35°
Lead-out angle (β)	45°	55°
Radius (R2)	1 mm	2 mm



(1) Special attention should be given to the materials and production method to avoid distortions such as flares, steps (>0,1 mm) and rough surfaces.

(2) This corner may be sharp.

(3) The distance between the holder springs should comply with IEC 60061 and should be checked by means of the relevant gauges.

NOTE - Further information regarding the retention springs may be found on the relevant lampholder sheet in IEC 60061-2.

LAMPHOLDER/CONNECTOR

Page 2/2

Definition

1.1

lampholder

part which supports the lamp and provides electrical contact with it

1.2

lamp connector

set of contacts specially designed to provide a means of electrical contact but not to support the lamp

Conclusion

The main difference is the support of the lamp, i.e. a lamp originally designed with a fit comprising a holder might also be used with a connector as long as there is additional support of the lamp at areas specified for this purpose.

As there is always a certain offset between the lamp axis and the cap/base axis, the holder is usually provided with sufficient free space to compensate for this fact. When now the lamp is fixed in the above way, the connector has to compensate for this offset, i.e. it must be floating or flexibly mounted.

Example:

A GU5.3 based tungsten halogen general purpose lamp with 51 mm integral reflector conforms in its external dimensions to the GX5.3 based version, see sheet 357-IEC-1012 or 357-IEC-1013 of IEC 60357 "Tungsten halogen lamps - Performance specifications" and therefore use of GX5.3 connectors in combination with the associated lamp retention system acting at the reflector rim is acceptable.