



SLOVENSKI STANDARD
SIST ISO 8169:1996

01-junij-1996

Stroji za zaščito rastlin - Škropilnice - Priključne mere za šobe in manometre

Equipment for crop protection -- Sprayers -- Connecting dimensions for nozzles and manometers

Matériel de traitement agropharmaceutique -- Pulvérisateurs -- Dimensions de raccordement des buses et des manomètres

Ta slovenski standard je istoveten z: ISO 8169:1984

SIST ISO 8169:1996
<https://standards.iteh.ai/catalog/standards/sist/826a9e99-69a1-4c07-9141-1f707a918cc8/sist-iso-8169-1996>

ICS:

65.060.40 Oprema za nego rastlin Plant care equipment

SIST ISO 8169:1996

en

iTeh STANDARD PREVIEW
(standards.iteh.ai)

SIST ISO 8169:1996

<https://standards.iteh.ai/catalog/standards/sist/826a9e99-69a1-4c07-9141-1f707a918cc8/sist-iso-8169-1996>

International Standard 8169

INTERNATIONAL ORGANIZATION FOR STANDARDIZATION • МЕЖДУНАРОДНАЯ ОРГАНИЗАЦИЯ ПО СТАНДАРТИЗАЦИИ • ORGANISATION INTERNATIONALE DE NORMALISATION

Equipment for crop protection — Sprayers — Connecting dimensions for nozzles and manometers

Matériel de traitement agropharmaceutique — Pulvérisateurs — Dimensions de raccordement des buses et des manomètres

First edition — 1984-10-15

iTeh STANDARD PREVIEW
(standards.iteh.ai)

[SIST ISO 8169:1996](#)

<https://standards.iteh.ai/catalog/standards/sist/826a9e99-69a1-4c07-9141-1f707a918cc8/sist-iso-8169-1996>

UDC 631.348.45

Ref. No. ISO 8169-1984 (E)

Descriptors: agricultural machinery, agricultural sprayers, nozzles, manometers, connecting dimensions.

Foreword

ISO (the International Organization for Standardization) is a worldwide federation of national standards bodies (ISO member bodies). The work of preparing International Standards is normally carried out through ISO technical committees. Each member body interested in a subject for which a technical committee has been established has the right to be represented on that committee. International organizations, governmental and non-governmental, in liaison with ISO, also take part in the work.

Draft International Standards adopted by the technical committees are circulated to the member bodies for approval before their acceptance as International Standards by the ISO Council. They are approved in accordance with ISO procedures requiring at least 75 % approval by the member bodies voting.

International Standard ISO 8169 was prepared by Technical Committee ISO/TC 23, *Tractors and machinery for agriculture and forestry*.

ITeH STANDARD PREVIEW
(standards.iteh.ai)

SIST ISO 8169:1996
<https://standards.iteh.ai/catalog/standards/sist/826a9e99-69a1-4c07-9141-1f707a918cc8/sist-iso-8169-1996>

Equipment for crop protection — Sprayers — Connecting dimensions for nozzles and manometers

iTeh STANDARD PREVIEW (standards.iteh.ai)

1 Scope and field of application

This International Standard lays down the main connecting dimensions to allow interchangeability of nozzles and manometers. (Terms are defined in ISO 5681.)

This International Standard applies to sprayers for crop protection. Connecting dimensions for nozzles apply only to

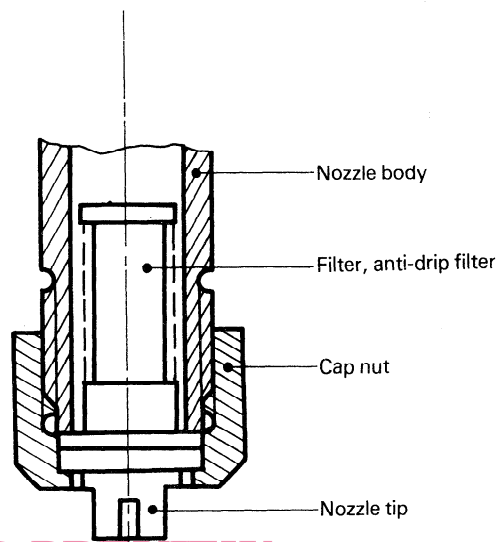
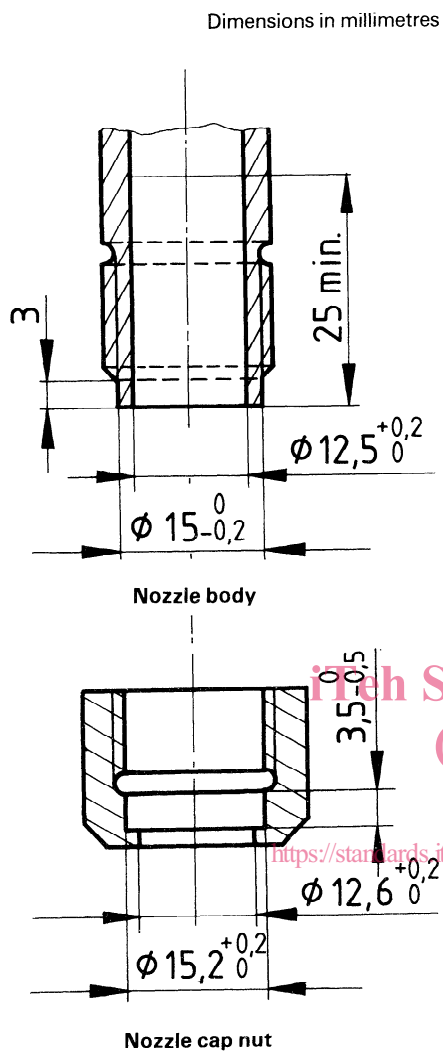
apparatus which is equipped with connections for nozzle tips with filters and/or anti-drip filters.

2 References

ISO 4102, *Equipment for crop protection — Sprayers — Connection threading.*

ISO 5681, *Equipment for crop protection — Vocabulary.*

3 Main connecting dimensions for nozzles



STANDARD PREVIEW
 (standards.iteh.ai)
 SIST ISO 8169:1996
<https://standards.iteh.ai/catalog/standards/sist/826a9e99-69a1-4c07-9141-1f707a918cc8/sist-iso-8169-1996>

Figure 2 — Example of mounting

Figure 1 — Connecting dimensions for nozzles

4 Main connecting dimensions for manometers

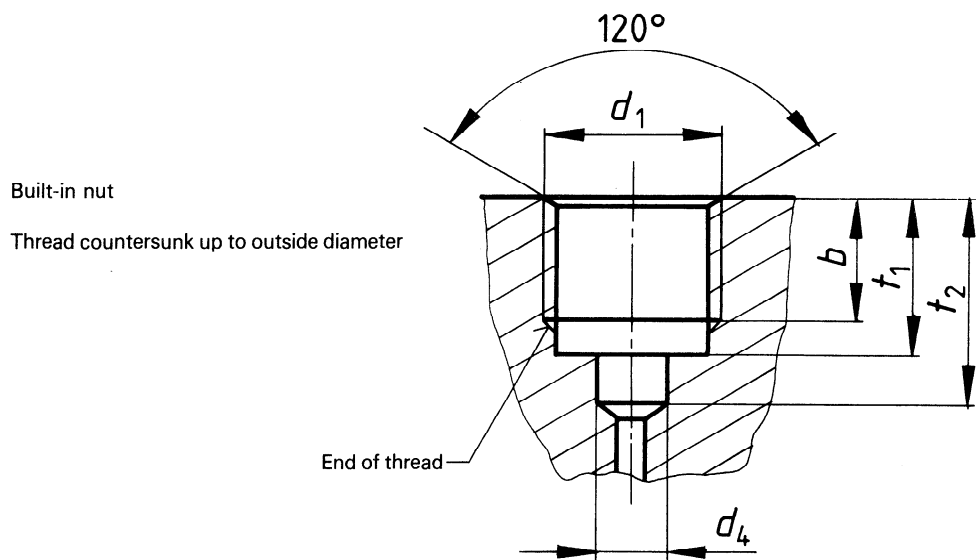


Figure 3 — Dimensions of manometer connections (see table)

iTeh STANDARD PREVIEW
Table — Dimensions for built-in nut
 (standards.iteh.ai)
 Dimensions in millimetres

Thread ¹⁾	d_1	b	d_4	t_1	t_2
M12 × 1,5		6,5	5	10^{+2}_0	15
R1/4 (in)		6,5	5	10	15

1) See ISO 4102.

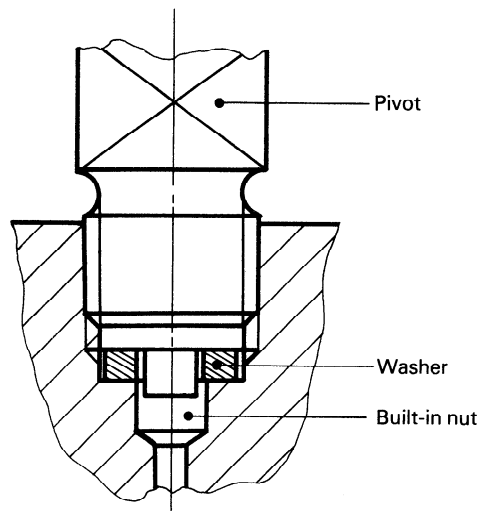


Figure 4 — Example of mounting