



# SLOVENSKI STANDARD

## SIST EN 13792:2002

01-november-2002

---

6 Ufj bc`cnbU Yj Ub^d]d`]b`j Ybh`cj `nUi dcfUvc`j `UvcfUvcf]A

Colour coding of taps and valves for use in laboratories

Farbige Kennzeichnung von Laborarmaturen

Code de couleur des robinets et vannes utilisés dans les laboratoires

Ta slovenski standard je istoveten z: **EN 13792:2002**

[SIST EN 13792:2002](https://standards.iteh.ai/catalog/standards/sist/28a84525-11bf-44e8-9bc9-c1954e523a62/sist-en-13792-2002)

<https://standards.iteh.ai/catalog/standards/sist/28a84525-11bf-44e8-9bc9-c1954e523a62/sist-en-13792-2002>

**ICS:**

01.070	Barvno kodiranje	Colour coding
71.040.10	Kemijski laboratoriji. Laboratorijska oprema	Chemical laboratories. Laboratory equipment

**SIST EN 13792:2002**

**en**

**iTeh STANDARD PREVIEW**  
**(standards.iteh.ai)**

SIST EN 13792:2002

<https://standards.iteh.ai/catalog/standards/sist/28a84525-11bf-44e8-9bc9-c1954e523a62/sist-en-13792-2002>

EUROPEAN STANDARD  
NORME EUROPÉENNE  
EUROPÄISCHE NORM

**EN 13792**

September 2002

ICS 01.070; 71.040.10

English version

## Colour coding of taps and valves for use in laboratories

Code de couleur des robinets et vannes utilisés dans les laboratoires

Farbige Kennzeichnung von Laborarmaturen

This European Standard was approved by CEN on 1 August 2002.

CEN members are bound to comply with the CEN/CENELEC Internal Regulations which stipulate the conditions for giving this European Standard the status of a national standard without any alteration. Up-to-date lists and bibliographical references concerning such national standards may be obtained on application to the Management Centre or to any CEN member.

This European Standard exists in three official versions (English, French, German). A version in any other language made by translation under the responsibility of a CEN member into its own language and notified to the Management Centre has the same status as the official versions.

CEN members are the national standards bodies of Austria, Belgium, Czech Republic, Denmark, Finland, France, Germany, Greece, Iceland, Ireland, Italy, Luxembourg, Malta, Netherlands, Norway, Portugal, Spain, Sweden, Switzerland and United Kingdom.

STANDARD PREVIEW  
(standards.iteh.ai)

SIST EN 13792:2002

<https://standards.iteh.ai/catalog/standards/sist/28a84525-11bf-44e8-9bc9-c1954e523a62/sist-en-13792-2002>



EUROPEAN COMMITTEE FOR STANDARDIZATION  
COMITÉ EUROPÉEN DE NORMALISATION  
EUROPÄISCHES KOMITEE FÜR NORMUNG

Management Centre: rue de Stassart, 36 B-1050 Brussels

**iTeh STANDARD PREVIEW**  
**(standards.iteh.ai)**

SIST EN 13792:2002

<https://standards.iteh.ai/catalog/standards/sist/28a84525-11bf-44e8-9bc9-c1954e523a62/sist-en-13792-2002>

**iTeh STANDARD PREVIEW**  
**(standards.iteh.ai)**

[SIST EN 13792:2002](#)

<https://standards.iteh.ai/catalog/standards/sist/28a84525-11bf-44e8-9bc9-c1954e523a62/sist-en-13792-2002>

**iTeh STANDARD PREVIEW**  
**(standards.iteh.ai)**

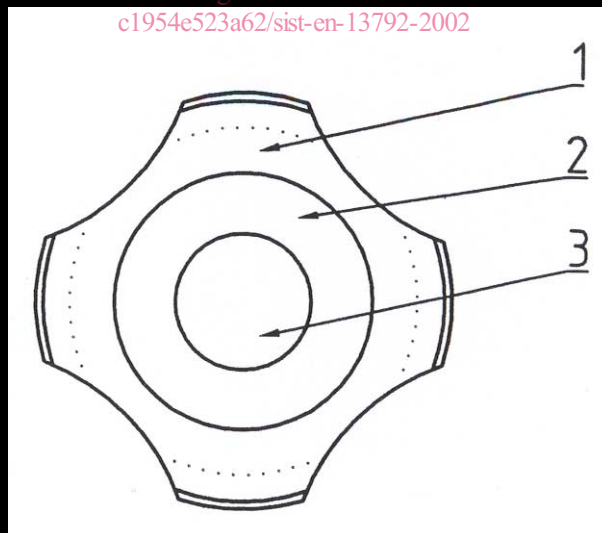
[SIST EN 13792:2002](#)

<https://standards.iteh.ai/catalog/standards/sist/28a84525-11bf-44e8-9bc9-c1954e523a62/sist-en-13792-2002>

# iTeh STANDARD PREVIEW (standards.iteh.ai)

SIST EN 13792:2002

<https://standards.iteh.ai/catalog/standards/sist/28a84525-11bf-44e8-9bc9-c1954e523a62/sist-en-13792-2002>



**iTeh STANDARD PREVIEW**  
**(standards.iteh.ai)**

[SIST EN 13792:2002](https://standards.iteh.ai/catalog/standards/sist/28a84525-11bf-44e8-9bc9-c1954e523a62/sist-en-13792-2002)

<https://standards.iteh.ai/catalog/standards/sist/28a84525-11bf-44e8-9bc9-c1954e523a62/sist-en-13792-2002>



**iTeh STANDARD PREVIEW**  
**(standards.iteh.ai)**

[SIST EN 13792:2002](#)

<https://standards.iteh.ai/catalog/standards/sist/28a84525-11bf-44e8-9bc9-c1954e523a62/sist-en-13792-2002>