



SLOVENSKI STANDARD
SIST EN 88:1997/A1:1997
01-marec-1997

HU b]fY[i `Urcf`nUd`]bg_YUdUfUH`nUj glcdbYhU_YXc`&&\$a VUf`!`8cdc`b]c`5%

Pressure governors for gas appliances for inlet pressures up to 200 mbar

Druckregler für Gasgeräte für einen Eingangsdruck bis zu 200 mbar

Régulateurs de pression pour appareils d'utilisation des combustibles gazeux pour pressions amont inférieures ou égales à 200 mbar

STANDARD PREVIEW
(standards.iteh.ai)

Ta slovenski standard je istoveten z: EN 88:1991/A1:1996

[SIST EN 88:1997/A1:1997](https://standards.iteh.ai/catalog/standards/sist/272d43cc-e130-48b5-ab92-7d3ecb2ff97e/sist-en-88-1997-a1-1997)

<https://standards.iteh.ai/catalog/standards/sist/272d43cc-e130-48b5-ab92-7d3ecb2ff97e/sist-en-88-1997-a1-1997>

ICS:

23.060.40	V æ } ã^* ~ æ !ã	Pressure regulators
27.060.20	Plinski gorilniki	Gas fuel burners

SIST EN 88:1997/A1:1997

en

iTeh STANDARD PREVIEW
(standards.iteh.ai)

SIST EN 88:1997/A1:1997

<https://standards.iteh.ai/catalog/standards/sist/272d43cc-e130-48b5-ab92-7d3ecb2ff97e/sist-en-88-1997-a1-1997>

EUROPEAN STANDARD

EN 88:1991/A1

NORME EUROPÉENNE

EUROPÄISCHE NORM

June 1996

ICS 23.060.40; 27.060.20

Descriptors: gas appliances, pressure regulators, equipment specifications, tests, marking

English version

Pressure governors for gas appliances for inlet pressures up to 200 mbar

Régulateurs de pression pour appareils d'utilisation des combustibles gazeux pour pressions amont inférieures ou égales à 200 mbar

Druckregler für Gasgeräte für einen Eingangsdruck bis zu 200 mbar

This amendment 1 modifies the European Standard EN 88:1991. This amendment was approved by CEN on 1995-11-30. CEN members are bound to comply with the CEN/CENELEC Internal Regulations which stipulate the conditions for giving this amendment the status of a national standard without any alteration.

Up-to-date lists and bibliographical references concerning such national standards may be obtained on application to the Central Secretariat or to any CEN member.

The European Standards exist in three official versions (English, French, German). A version in any other language made by translation under the responsibility of a CEN member into its own language and notified to the Central Secretariat has the same status as the official versions.

CEN members are the national standards bodies of Austria, Belgium, Denmark, Finland, France, Germany, Greece, Iceland, Ireland, Italy, Luxembourg, Netherlands, Norway, Portugal, Spain, Sweden, Switzerland and United Kingdom.

<https://standards.iteh.ai/catalog/standards/sist/272d43cc-e130-48b5-ab92-7d3ecb2f97e/sist-en-88-1991-a1-1997>

CEN

European Committee for Standardization
Comité Européen de Normalisation
Europäisches Komitee für Normung

Central Secretariat: rue de Stassart, 36 B-1050 Brussels

Foreword

This Amendment EN 88:1991/A1:1996 to EN 88:1991 has been prepared by Technical Committee CEN/TC 58 "Safety and control devices for gas-burners and gas-burning appliances", the secretariat of which is held by BSI.

This Amendment to the European Standard EN 88:1991 is issued to align the standard with the essential requirements of the Gas Appliance Directive (90/336/EEC) and to correct errors in the first edition of the standard.

This Amendment to the European Standard EN 88:1991 shall be given the status of a national standard, either by publication of an identical text or by endorsement, at the latest by December 1996, and conflicting national standards shall be withdrawn at the latest by December 1996.

This Amendment to the European Standard EN 88:1991 has been prepared under a mandate given to CEN by the European Commission and the European Free Trade Association, and supports essential requirements of EU Directive(s).

According to the CEN/CENELEC Internal Regulations, the national standards organizations of the following countries are bound to implement this Amendment: Austria, Belgium, Denmark, Finland, France, Germany, Greece, Iceland, Ireland, Italy, Luxembourg, Netherlands, Norway, Portugal, Spain, Sweden, Switzerland and the United Kingdom.

iTeh STANDARD PREVIEW **(standards.iteh.ai)**

[SIST EN 88:1997/A1:1997](https://standards.iteh.ai/catalog/standards/sist/272d43cc-e130-48b5-ab92-7d3ecb2ff97e/sist-en-88-1997-a1-1997)

<https://standards.iteh.ai/catalog/standards/sist/272d43cc-e130-48b5-ab92-7d3ecb2ff97e/sist-en-88-1997-a1-1997>

Contents

In the list of contents, following 5.2 insert '5.3 Warning notice'

Replace the title of annex A by:

"Annex A (informative) Identification of clauses which meet the essential requirements of the Gas Appliance Directive (90/396/EEC)"

Foreword

Delete the note following the first paragraph and insert the following: -

'This European Standard has been prepared under a mandate given to CEN by the Commission of European Communities and the European Free Trade Association and supports Essential Requirements of EC Directives.

This standard covers type testing only'.

Clause 1.1 Object and field of application

In the 1st paragraph, after 'for use with' insert 'gas burners and'.

In the 2nd paragraph, delete 'see Annex A'.

In the 3rd paragraph, after item (b) add the following:

'(c) governors which use electrical auxiliary energy.'

Clause 1.2 References

In the title of ISO 301 delete 'coating' and substitute 'casting'.

Clause 2.1.6

In the 4th paragraph, delete 'only'.

Clause 2.1.9

In the 4th paragraph, delete 'cleaning'.

Clause 2.2.3

In the 3rd paragraph, delete 'gas carrying part' and substitute 'part of the housing'.

Table 3: Torque and bending moment

In the 5th column, 6th row. Delete '350' and substitute '340'.

Table 4: Gas pressure at inlet to the governor

Delete existing table and substitute the following:-

STANDARD PREVIEW
(standards.itech.ai)

<https://standards.itech.ai/catalog/standards/sist/272d43cc-e130-48b5-ab92-7d3ecb2f97e/sist-en-88-1997-a1-1997>

Table 4: Gas Pressure at inlet to the Governor			
Type of Gas	Nominal pressure mbar	Minimum pressure mbar	Maximum pressure mbar
1st family gases	8	6	15
2nd family gases Group 2H	20	17	25
2nd family gases Group 2L	25	20	30
2nd family gases Group 2E	20	17	25
3rd family gases	29	20	35
	29	25	35
	37	25	45
	50	42,5	57,5
	67	50	80
	112	60	140
	148	100	180

Clause 3.6.4 Class B

In the 1st paragraph, delete 'table 5.' and substitute 'table 5 or ± 1 mbar whichever is the greater'.

Clause 3.7 Operational Noise

Delete existing clause and insert 'text deleted'.

Table 6. Sequence of testing

Delete 4th row reading '4.7 Operational noise'.

Clause 4.3.3 Governor after removal of non-metallic parts

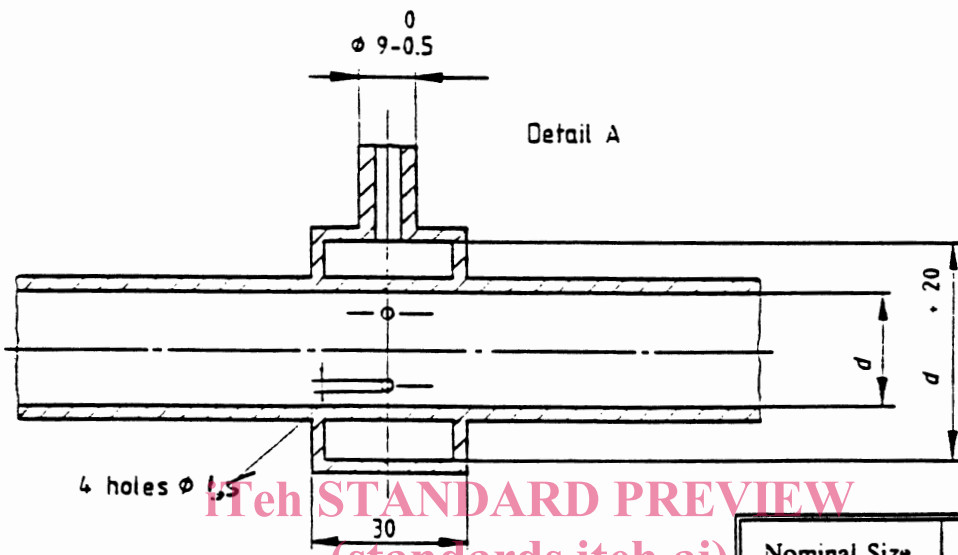
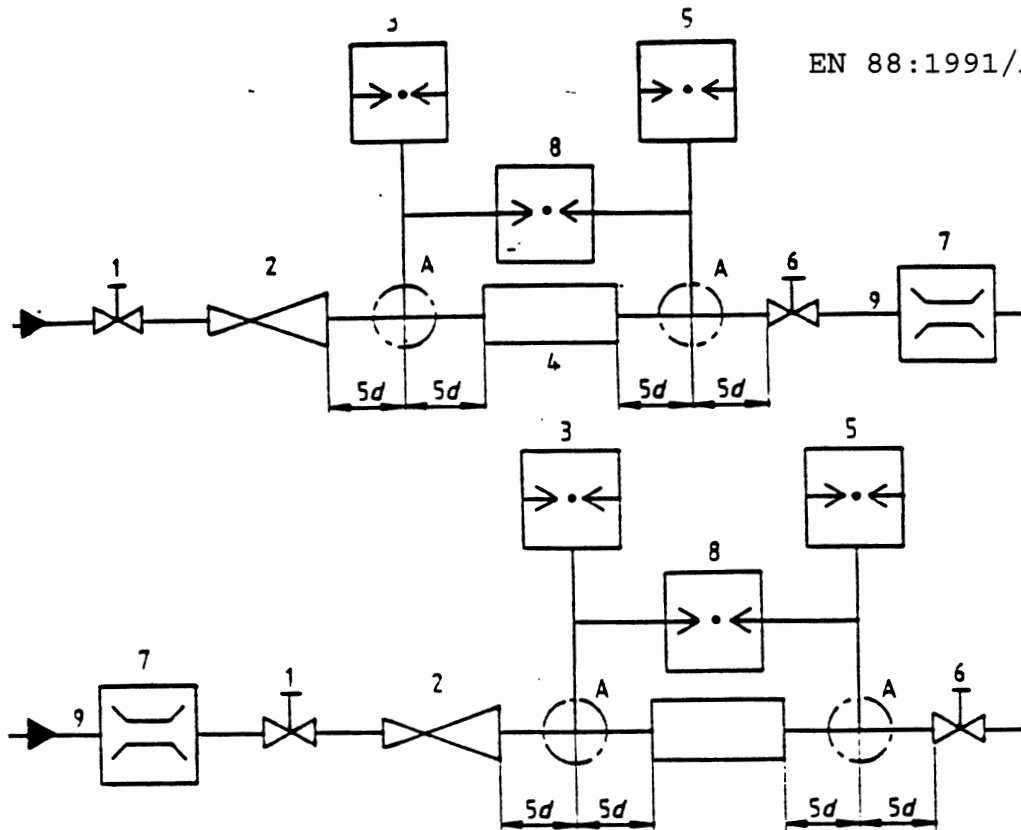
Delete 'maximum working pressure' and substitute 'maximum inlet pressure'.

4.7 Operational noise

Delete existing clause and insert 'text deleted'.

Figure 4: Governor performance test rig

Delete existing Figure 4 and substitute following:



STANDARD PREVIEW
(standards.iteh.ai)

- 1 Control valve
- 2 Governor for inlet pressure
- 3 Inlet pressure gauge
- 4 Test sample
- 5 Outlet pressure gauge
- 6 Control valve
- 7 Flow meter
- 8 Differential pressure gauge
- 9 Temperature measuring point

SIST EN 88:1997/A1:1997
<https://standards.iteh.ai/catalog/standards/sist/272d43cc-e180-48b5-8092-7d3ecb2f97e/sist-en-88-1997-a1-1997>

Nominal Size (DN)	Internal diameter (mm)
6	6
9	9
13	13
16	16
22	22
28	28
35	35
41	41
52	52

Figure 4: Governor performance test rig

Figure 6: Graph of performance using flow rate variation

Delete 'at q_{1max} ' twice and in both cases substitute 'at p_{1max} '.

Clause 5.2 Installation operating and servicing instructions

In the first paragraph, delete sentence 1 and the associated footnote, and substitute the following:

'One set of instructions shall be supplied with each consignment, written in the language(s) of the country into which the controls will be delivered.'

New clause 5.3

after clause 5.2 insert the following:

5.3 Warning Notice

A warning notice shall be attached to each consignment of controls. This notice shall state: 'Read the instructions before use. This control must be installed in accordance with the rules in force'.

Annex A.

Delete existing text and insert as follows:-

'Annex A (informative)

Identification of clauses which meet the Essential Requirements of the Gas Appliance Directive (90/396/EEC)

The following table gives a comparison of the essential requirements of the EC Gas Appliance directive (90/396/EEC) with corresponding clauses of this standard.

Essential Requirement		Clause Number in EN88
1	GENERAL CONDITIONS	
1.1	Safety of operation	Complete standard
1.2	Installation instructions User instructions Warning notices Official language of instructions	5.2 5.2 5.3 5.2
1.2.1	Installation instructions	5.2
1.2.2	User instructions	5.2
1.2.3	Warning notices	5.3
1.3	Correct operation	2.1.1, 5.2
2	MATERIALS	
2.1} 2.2}	Suitability for safety and intended purpose	2.2, 3.11

3	DESIGN AND CONSTRUCTION	
3.1	General	
3.1.1	Mechanical stability	2.1, 2.4, 3.4
3.1.2	Condensation	N/A
3.1.3	Risk of explosion	2.2
3.1.4	Water penetration	N/A
3.1.5	Normal fluctuation of auxiliary energy	N/A
3.1.6	Abnormal fluctuation of auxiliary energy	N/A
3.1.7	Hazards of electrical origin	N/A
3.1.8	Pressurized parts	2.1, 3.3, 3.4
3.1.9	Failure of safety, controlling and regulating devices	N/A

Essential Requirement		Clause Number in EN88
3.1.10	Safety/adjustment	N/A
3.1.11	Protection of parts set by the manufacturer	2.1.11
3.1.12	Controlling and setting devices	N/A
3.2	Unburned gas release	
3.2.1	Gas leakage	2.2.3, 3.3, 3.9
3.2.2} 3.2.3}	Gas accumulation	N/A
3.3	Ignition	N/A
3.4	Combustion	N/A
3.5	Rational use of energy	N/A
3.6	Temperatures	N/A
3.7	Foodstuffs and water used for sanitary purposes	N/A

ANNEX II

CERTIFICATION PROCEDURES

SIST EN 88:1997/A1:1997

N/A

ANNEX III

CE CONFORMITY MARK AND INSCRIPTIONS

1.	Mark	N/A
2.	Data plate	5.1