

SLOVENSKI STANDARD
SIST EN 161:1997/A1:1997
01-marec-1997

Samodejni zaporni ventili za plinske gorilnike in plinske aparate - Dopolnilo A1

Automatic shut-off valves for gas burners and gas-burning appliances - Amendment1

Automatische Absperrventile für Gasbrenner und Gasgeräte

Robinets automatiques de sectionnement pour bruleurs a gaz et appareils a gaz

Ta slovenski standard je istoveten z: EN 161:1997/A1:1997

[SIST EN 161:1997/A1:1997](https://standards.iteh.ai/catalog/standards/sist/7fc690da-0acf-4e9c-896f-2589c0d6ae2a/sist-en-161-1997-a1-1997)

<https://standards.iteh.ai/catalog/standards/sist/7fc690da-0acf-4e9c-896f-2589c0d6ae2a/sist-en-161-1997-a1-1997>

ICS:

23.060.20	Zapirni ventili (kroglasti in pipe)	Ball and plug valves
27.060.20	Plinski gorilniki	Gas fuel burners

SIST EN 161:1997/A1:1997 **en**

iTeh STANDARD PREVIEW
(standards.iteh.ai)

[SIST EN 161:1997/A1:1997](https://standards.iteh.ai/catalog/standards/sist/7fc690da-0acf-4e9c-896f-2589c0d6ae2a/sist-en-161-1997-a1-1997)

<https://standards.iteh.ai/catalog/standards/sist/7fc690da-0acf-4e9c-896f-2589c0d6ae2a/sist-en-161-1997-a1-1997>

EUROPEAN STANDARD

EN 161:1991/A1

NORME EUROPÉENNE

EUROPÄISCHE NORM

June 1996

ICS 23.060.01; 27.060.20

Descriptors: gas appliances, burners, stopcocks, safety devices, equipment specifications, performance evaluation, tests, marking

English version

Automatic shut-off valves for gas burners and gas-burning appliances

Robinets automatiques de sectionnement pour brûleurs à gaz et appareils à gaz

Automatische Absperrventile für Gasbrenner und Gasgeräte

STANDARD PREVIEW

(standard.iteh.ai)

REPUBLIKA SLOVENIJA
MINISTRSTVO ZA ZNANOST IN TEHNOLOGIJO
Urad RS za standardizacijo in meroslovje
LJUBLJANA

<https://standards.iteh.ai/catalog/standards/sist/161-1997/a1-1997>

SIST. EN 161/A1

PREVZET PO METODI RAZGLASITVE

-03- 1997

This amendment 1 modifies the European Standard EN 161:1991. This amendment was approved by CEN on 1995-11-30. CEN members are bound to comply with the CEN/CENELEC Internal Regulations which stipulate the conditions for giving this amendment the status of a national standard without any alteration.

Up-to-date lists and bibliographical references concerning such national standards may be obtained on application to the Central Secretariat or to any CEN member.

The European Standards exist in three official versions (English, French, German). A version in any other language made by translation under the responsibility of a CEN member into its own language and notified to the Central Secretariat has the same status as the official versions.

CEN members are the national standards bodies of Austria, Belgium, Denmark, Finland, France, Germany, Greece, Iceland, Ireland, Italy, Luxembourg, Netherlands, Norway, Portugal, Spain, Sweden, Switzerland and United Kingdom.

CEN

European Committee for Standardization
Comité Européen de Normalisation
Europäisches Komitee für Normung

Central Secretariat: rue de Stassart, 36 B-1050 Brussels

Foreword

This Amendment EN 161:1991/A1:1996 to EN 161:1991 has been prepared by Technical Committee CEN/TC 58 "Safety and control devices for gas-burners and gas-burning appliances", the secretariat of which is held by BSI.

This Amendment to the European Standard EN 161:1991 is issued to align the standard with the essential requirements of the Gas Appliance Directive (90/336/EEC) and to correct errors in the first edition of the standard.

This Amendment to the European Standard EN 161:1991 shall be given the status of a national standard, either by publication of an identical text or by endorsement, at the latest by December 1996, and conflicting national standards shall be withdrawn at the latest by December 1996.

This Amendment to the European Standard EN 161:1991 has been prepared under a mandate given to CEN by the European Commission and the European Free Trade Association, and supports essential requirements of EU Directive(s).

According to the CEN/CENELEC Internal Regulations, the national standards organizations of the following countries are bound to implement this Amendment: Austria, Belgium, Denmark, Finland, France, Germany, Greece, Iceland, Ireland, Italy, Luxembourg, Netherlands, Norway, Portugal, Spain, Sweden, Switzerland and the United Kingdom.

iTeh STANDARD PREVIEW
(standards.iteh.ai)

[SIST EN 161:1997/A1:1997](https://standards.iteh.ai/catalog/standards/sist/7fc690da-0acf-4e9c-896f-2589c0d6ae2a/sist-en-161-1997-a1-1997)

<https://standards.iteh.ai/catalog/standards/sist/7fc690da-0acf-4e9c-896f-2589c0d6ae2a/sist-en-161-1997-a1-1997>



Contents

In the list of contents, following 5.2 insert '5.3 Warning notice'

Following the title of Annex D insert:

Annexe E (informative) Identification of clauses which meet the Essential Requirements of the Gas Appliance Directive (90/396/EEC)

Foreword

delete the note following the first paragraph and insert the following:

'This European Standard has been prepared under a mandate given to CEN by the Commission of European Communities and the European Free Trade Association and supports Essential Requirements of EC Directives.

This standard covers type testing only'.

Clause 2.1.6

In the 4th paragraph, delete 1st sentence and substitute 'Self tapping screws that form a thread and do not produce swarf may be used.'

Clause 2.2.2 Zinc alloys

After quality, delete 'ZnAL4' and substitute 'ZnAl₄'.

Table 1: Connection sizes

In the heading of the 3rd column, delete 'ISO 2084: 1974' substitute 'ISO 7005: 1988'.

Clause 2.2.3 Housing

delete 'gas carrying compartment' and substitute 'parts of the housing'.

Clause 2.3.3 Flanges

in the 1st and 2nd paragraph delete 'ISO 2084: 1974' and in both cases substitute 'ISO 7005: 1988'.

Clause 3.11.2 Durability of marking

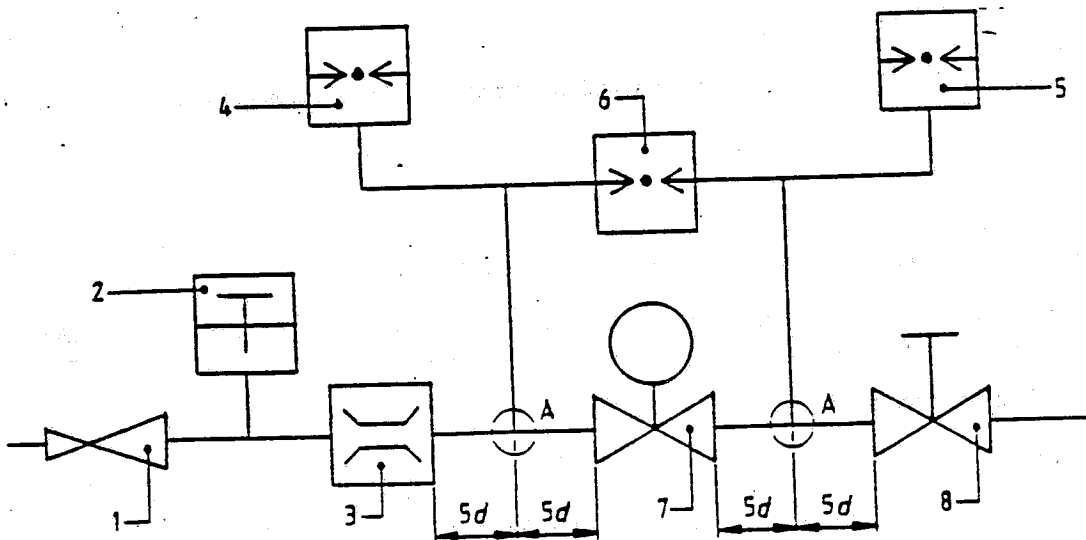
Delete existing heading and substitute 'Marking'.

Figure 3: Equipment for the flow rate test

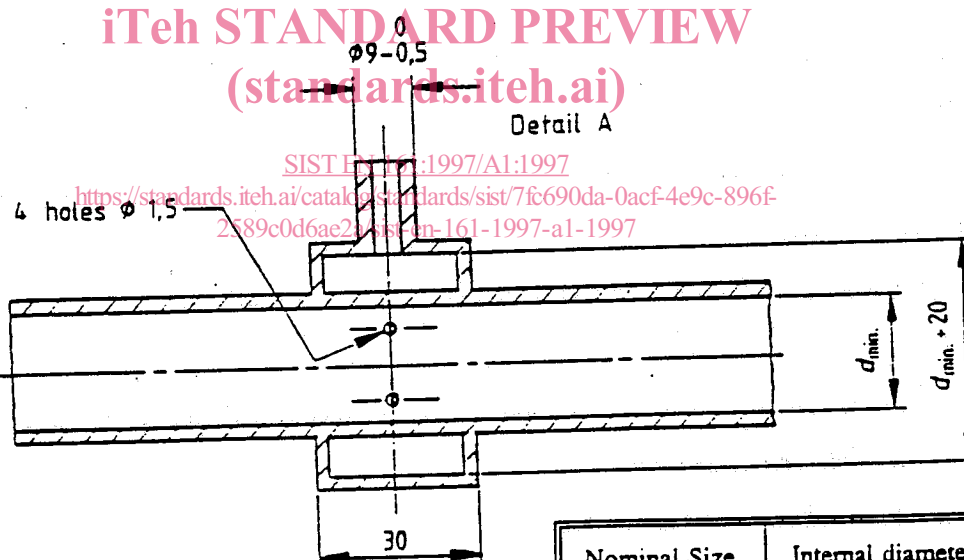
Delete existing figure and substitute the following figure

iTeh STANDARD PREVIEW
(standards.iteh.ai)

SIST EN 161:1997/A1:1997
<https://standards.iteh.ai/catalog/standards/sist/71c690da-6ac1-492c-876f-2589c0d6ae2a/sist-en-161-1997-a1-1997>



iTeh STANDARD PREVIEW
(standards.iteh.ai)



- 1 Adjustable governor for inlet pressure
- 2 Thermometer
- 3 Flow meter
- 4 Inlet pressure gauge
- 5 Outlet pressure gauge
- 6 Differential pressure gauge
- 7 Test sample
- 8 Manual Control tap

Nominal Size (DN)	Internal diameter (mm)
6	6
8	9
10	13
15	16
20	22
25	28
32	35
40	41
50	52
65	67
80	80

Clause 5.2 Installation and operating instructions

In the first paragraph, delete sentence 1 and substitute the following:

'One set of instructions shall be supplied with each consignment, written in the language(s) of the country into which the controls will be delivered'.

New clause 5.3

after clause 5.2 insert the following:

5.3 Warning Notice

A warning notice shall be attached to each consignment of controls. This notice shall state: 'Read instructions before use. This control must be installed in accordance with the rules in force'.

Annex D. Delete existing formula and insert

$$q_L = 11,85 \times 10^{-3} \times Vg (P_{abs'} - P_{abs''})$$

new Annex E

after Annex D, insert new Annex E as follows:

Annex E (informative)

[SIST EN 161:1997/A1:1997](https://standards.iteh.ai/catalog/standards/sist/7fc690da-0acf-4e9c-896f)

<https://standards.iteh.ai/catalog/standards/sist/7fc690da-0acf-4e9c-896f>

Identification of clauses which meet the Essential Requirements of the Gas Appliance Directive (90/396/EEC)

The following table gives a comparison of the essential requirements of the EC Gas Appliance directive (90/396/EEC) with corresponding clauses of this standard.

Essential Requirement		Clause Number of EN161
1	GENERAL CONDITIONS	
1.1	Safety of operation	Complete standard
1.2	Installation instructions User instructions Warning notices Official language of instructions	5.2 5.2 5.3 5.2
1.2.1	Installation instructions	5.2
1.2.2	User instructions	5.2
1.2.3	Warning notices	5.3
1.3	Correct operation	2.1.1, 5.2
2	MATERIALS	

2.1} 2.2}	Suitability for safety and intended purpose	2.2, 3.11
3	DESIGN AND CONSTRUCTION	
3.1	General	
3.1.1	Mechanical stability	2.1, 2.4, 3.9
3.1.2	Condensation	N/A
3.1.3	Risk of explosion	2.2
3.1.4	Water penetration	N/A
3.1.5	Normal fluctuation of auxiliary energy	3.1
Essential requirement		Clause number
3.1.6	Abnormal fluctuation of auxiliary energy	2.7, 3.3
3.1.7	Hazards of electrical origin	2.8
3.1.8	Pressurized parts	2.1, 3.7, 3.9
3.1.9	Failure of safety, controlling and regulating devices	N/A
3.1.10	Safety/adjustment	N/A
3.1.11	Protection of parts set by the manufacturer	N/A
3.1.12	Controlling and setting devices	N/A
3.2	Unburned gas release	
3.2.1	Gas leakage	2.2.3, 3.7, 3.8
3.2.2} 3.2.3}	Gas accumulation	N/A
3.3	Ignition	N/A
3.4	Combustion	N/A
3.5	Rational use of energy	N/A
3.6	Temperatures	N/A
3.7	Foodstuffs and water used for sanitary purposes	N/A

ANNEX II

CERTIFICATION PROCEDURES

N/A

ANNEX III

CE CONFORMITY- MARK AND INSCRIPTIONS

1.

Mark

N/A

2.

Data plate

5.1