



**iTeh STANDARD PREVIEW**  
**(standards.iteh.ai)**

SIST ISO 923:2002

<https://standards.iteh.ai/catalog/standards/sist/8b670a18-7b4b-413e-ac0e-e1677db0b507/sist-iso-923-2002>

# INTERNATIONAL STANDARD

**ISO  
923**

Second edition  
2000-05-15

---

---

## Coal cleaning equipment — Performance evaluation

*Équipement pour l'épuration du charbon — Évaluation des résultats*

**iTeh STANDARD PREVIEW**  
**(standards.iteh.ai)**

[SIST ISO 923:2002](https://standards.iteh.ai/catalog/standards/sist/8b670a18-7b4b-413e-ac0e-e1677db0b507/sist-iso-923-2002)

[https://standards.iteh.ai/catalog/standards/sist/8b670a18-7b4b-413e-ac0e-  
e1677db0b507/sist-iso-923-2002](https://standards.iteh.ai/catalog/standards/sist/8b670a18-7b4b-413e-ac0e-e1677db0b507/sist-iso-923-2002)



Reference number  
ISO 923:2000(E)

© ISO 2000

**ISO 923:2000(E)****PDF disclaimer**

This PDF file may contain embedded typefaces. In accordance with Adobe's licensing policy, this file may be printed or viewed but shall not be edited unless the typefaces which are embedded are licensed to and installed on the computer performing the editing. In downloading this file, parties accept therein the responsibility of not infringing Adobe's licensing policy. The ISO Central Secretariat accepts no liability in this area.

Adobe is a trademark of Adobe Systems Incorporated.

Details of the software products used to create this PDF file can be found in the General Info relative to the file; the PDF-creation parameters were optimized for printing. Every care has been taken to ensure that the file is suitable for use by ISO member bodies. In the unlikely event that a problem relating to it is found, please inform the Central Secretariat at the address given below.

## iTeh STANDARD PREVIEW (standards.iteh.ai)

SIST ISO 923:2002

<https://standards.iteh.ai/catalog/standards/sist/8b670a18-7b4b-413e-ac0e-e1677db0b507/sist-iso-923-2002>

© ISO 2000

All rights reserved. Unless otherwise specified, no part of this publication may be reproduced or utilized in any form or by any means, electronic or mechanical, including photocopying and microfilm, without permission in writing from either ISO at the address below or ISO's member body in the country of the requester.

ISO copyright office  
Case postale 56 • CH-1211 Geneva 20  
Tel. + 41 22 749 01 11  
Fax + 41 22 734 10 79  
E-mail [copyright@iso.ch](mailto:copyright@iso.ch)  
Web [www.iso.ch](http://www.iso.ch)

Printed in Switzerland

## Contents

Page

Foreword.....	iv
1 Scope .....	1
2 Normative references .....	1
3 Terms and definitions .....	1
4 Performance criteria.....	2
5 Performance parameters .....	2
6 Performance test procedures.....	3
7 Analytical procedures .....	3
8 Expression of performance .....	3
Annex A (normative) Methods of expressing performance.....	4
Annex B (normative) Recommendations for standard methods of presenting coal cleaning test data.....	5
Annex C (informative) Graphs.....	29

**iTeh STANDARD PREVIEW**  
(standards.iteh.ai)

SIST ISO 923:2002

<https://standards.iteh.ai/catalog/standards/sist/8b670a18-7b4b-413e-ac0e-e1677db0b507/sist-iso-923-2002>

**ISO 923:2000(E)****Foreword**

ISO (the International Organization for Standardization) is a worldwide federation of national standards bodies (ISO member bodies). The work of preparing International Standards is normally carried out through ISO technical committees. Each member body interested in a subject for which a technical committee has been established has the right to be represented on that committee. International organizations, governmental and non-governmental, in liaison with ISO, also take part in the work. ISO collaborates closely with the International Electrotechnical Commission (IEC) on all matters of electrotechnical standardization.

International Standards are drafted in accordance with the rules given in the ISO/IEC Directives, Part 3.

Draft International Standards adopted by the technical committees are circulated to the member bodies for voting. Publication as an International Standard requires approval by at least 75 % of the member bodies casting a vote.

Attention is drawn to the possibility that some of the elements of this International Standard may be the subject of patent rights. ISO shall not be held responsible for identifying any or all such patent rights.

International Standard ISO 923 was prepared by Technical Committee ISO/TC 27, *Solid mineral fuels*, Subcommittee SC 1, *Coal preparation: Terminology and performance*.

This second edition cancels and replaces the first edition (ISO 923:1975), which has been technically revised.

Annexes A and B form a normative part of this International Standard. Annex C is for information only.

SIST ISO 923:2002  
<https://standards.iteh.ai/catalog/standards/sist/8b670a18-7b4b-413e-ac0e-e1677db0b507/sist-iso-923-2002>

# Coal cleaning equipment — Performance evaluation

## 1 Scope

This International Standard describes the principles and methods for evaluating the performance of equipment used for cleaning operations. Testing and sampling procedures are specified and methods of presenting test results are detailed. Performance parameters are recommended and defined and their determination is formulated, thereby allowing their use in evaluating, comparing and predicting performance levels of cleaning operations.

This International Standard is applicable to the following types of coal cleaning equipment using relative density as the main characteristic for separation:

- a) dense-medium separators;
- b) jigs;
- c) other separators.

iTeh STANDARD PREVIEW  
(standards.iteh.ai)

## 2 Normative references

The following normative documents contain provisions which, through reference in this text, constitute provisions of this International Standard. For dated references, subsequent amendments to, or revisions of, any of these publications do not apply. However, parties to agreements based on this International Standard are encouraged to investigate the possibility of applying the most recent editions of the normative documents indicated below. For undated references, the latest edition of the normative document referred to applies. Members of ISO and IEC maintain registers of currently valid International Standards.

ISO 1170, *Coal and coke — Calculation of analyses to different bases.*

ISO 1213-1, *Solid mineral fuels — Vocabulary — Part 1: Terms relating to coal preparation.*

ISO 1953, *Hard coal — Size analysis by sieving.*

ISO 1988, *Hard coal — Sampling.*

ISO 5048, *Continuous mechanical handling equipment — Belt conveyors with carrying idlers — Calculation of operating power and tensile forces.*

ISO 7936, *Hard coal — Determination and presentation of float and sink characteristics — General directions for apparatus and procedures.*

## 3 Terms and definitions

For the purposes of this International Standard, the terms and definitions given in ISO 1213-1 apply.

**ISO 923:2000(E)****4 Performance criteria**

The following criteria are used:

- a) the feed rate, expressed on mass and/or volume basis;
- b) reference density of separation;
- c) sharpness of separation;
- d) correctly placed and misplaced material;
- e) ash error and yield error;
- f) the degree of difficulty of separation;
- g) material characteristics.

The above criteria will be influenced by test conditions, which should therefore be fully reported.

Conditions, including feed rate, should be kept uniform, monitored and maintained within prescribed tolerance limits during a test.

Where performance test results are used for prediction, process conditions should be taken into account.

## iTeh STANDARD PREVIEW

### (standards.iteh.ai)

**5 Performance parameters**

For the standard expression of performance of a cleaning operation, determine the criteria in clause 4 by the following parameters:

- a) the feed rate, expressed on mass and/or volume basis,

Keep the feed rate as uniform as possible throughout the performance test and determine it over the duration of the test by the most accurate method available.

Where the feed to the equipment is by belt conveyor, determine the feed rate in accordance with ISO 5048.

- b) the reference density of separation, preferably expressed as both partition density and equal-errors cut-point (density);
- c) the sharpness of separation expressed in terms of probable error and imperfection;
- d) the distribution of correctly placed and incorrectly placed material in each product, presented graphically with respect to relative density, and the particular value of misplaced material in each product, determined at the reference density of separation;
- e) the ash error expressed as the difference between the actual ash in the cleaned coal and the theoretical ash at the actual yield value;
- f) the yield error expressed as the difference between the actual yield and the theoretical yield at the actual clean-coal ash value;
- g) the degree of difficulty of separation expressed in terms of near-density material (and by other relevant characteristics).



## 6 Performance test procedures

The equipment to be tested, the feed composition, and the means of handling the feed and products, vary widely. A single International Standard to cover all cases is not applicable. The following general procedures shall be followed.

- a) Samples shall be taken from the feed and from each of the products. The sampling techniques, number of increments and increment mass shall ensure that all samples taken are representative and shall comply with existing International Standards where available. Sampling of coal is covered by ISO 1988 and size analysis of coal is covered by ISO 1953.

To enable checking of results and assessment of the effects of degradation, representative samples should be taken from all relevant streams to and from the equipment to be tested.

- b) It is essential to determine the feed rate and the percentage yield to each of the products on a dry basis in accordance with ISO 1170. This should be achieved in accordance with one of the procedures given below.

Determine the mass of each product by one or more of the following methods, which are listed in order of reliability.

- a) By direct weighing of the whole of each product collected over the duration of the test or through continuous weighing and integration over the duration of the test.
- b) By taking regular timed increments over the duration of the test.
- c) By weighing each product collected simultaneously over a selected period of the test.

NOTE 1 If it is feasible to measure both the mass of the feed (by belt weigher, weigh hopper, flowmeter, etc.) and the mass of the products, this provides a check.

NOTE 2 If the mass of one of the products cannot be obtained, it may be derived from a mass balance between the feed and other product(s).

NOTE 3 Where the solids are conveyed by a fluid, it may be more convenient to make volumetric measurements.

Representative samples should be taken from streams to determine moisture content or concentrations of solids as appropriate, so that results can be reported on a dry basis.

In circumstances that prevent the determination of yields by the above procedures, alternative procedures (e.g. ash balance) may be used.

## 7 Analytical procedures

The methods and procedures of size analysis and float and sink analysis shall be in accordance with ISO 1953 and ISO 7936, respectively.

The feed sample and each of the product samples should be separated into various particle size fractions depending on the degree of detail required. Because the performance of coal cleaning equipment is usually different for different size particles, the size ranges should be as prescribed in ISO 7936.

## 8 Expression of performance

Methods for the expression of the results of coal cleaning tests and the performance of the separation processes are given in normative annex A.

For the purpose of meeting the requirements stated in clause 1, no single method suffices by itself.

Normative annex B describes recommended methods for the calculation and tabulation of test results, and informative annex C gives graphical presentations.

## Annex A (normative)

### Methods of expressing performance

	Formula	Derived from	Remarks
<b>A.1</b>	Separation density a) Partition density b) Equal-errors cut-point (density)	Partition curves M-curves Washability curves	Describes one characteristic of the separation, but does not indicate its accuracy
<b>A.2</b>	Misplaced material	M-curves Washability curves	Measure of quantity of misplaced material (without reference to its quality) at the separation density
<b>A.3</b>	Total of correctly placed material	M-curves Washability curves	Measure of quantity of correctly placed material (without reference to its quality) at the separation density
<b>A.4</b>	Ash error	M-curves Washability curves	Reflects both the quantity and quality of misplaced material in terms of the specific property of coal (percentage of ash) that the separation is designed to control; measures qualitative efficiency
<b>A.5</b>	Yield error	M-curves Washability curves	Reflects both the quantity and quality of misplaced material and measures quantitative efficiency
<b>A.6</b>	Organic efficiency	M-curves Washability curves	Related to yield error but expressed as a percentage
<b>A.7</b>	Error area	Partition curves	Measure of quantity of misplaced material in terms of density
<b>A.8</b>	Partition coefficients	Partition curves	Special applications only
<b>A.9</b>	<i>Écart probable (moyen)</i>	Partition curves	Gives an indication of the quantitative errors inherent in the separating process at a given separation density
<b>A.10</b>	Imperfection	Partition curves	Modification of <i>écart probable (moyen)</i> to include effect of varying separation density. Not used for dense-medium separators
<b>A.11</b>	Yield loss	Product samples	States results without reference to accuracy of separation

NOTE 1 M-curves and washability curves describe graphically the character of the raw coal and of the products, in terms of mass and ash. Partition curves describe only the products in terms of mass and density; they can be constructed without the necessity to determine ash.

NOTE 2 M-curves have wider direct applications than washability curves, especially, for example, in three-product separations. The construction of such curves is described in ISO 7936.

NOTE 3 The *écart probable (moyen)* and imperfection reflect the influence of changes in the separation process rather than in the raw coal, in contrast to the formulae derived from M-curves or washability curves, which reflect changes in the raw coal as well as in the separation process.

NOTE 4 The separation density, although not a measure of efficiency, is an important characteristic of the separation and is essential to any comprehensive statement of the results of a given test.

NOTE 5 The misplaced material and the total of correctly placed material at the separation density, the ash error, the yield error, the organic efficiency and the error area can all be used for guarantee tests and occasional control tests to give an indication of the accuracy of a given separation on a given coal, and hence of economic efficiency; but they are of little value in the prediction of probable results of cleaning a range of coals by one specific process.

NOTE 6 Partition coefficients, *écart probable (moyen)* and imperfection are valuable for the purpose of prediction but do not give an adequate indication of the accuracy of a given separating operation on a particular coal.

## Annex B (normative)

### Recommendations for standard methods of presenting coal cleaning test data

#### B.1 Description of the tables

Two sets of tables are required (see clauses B.4 to B.7):

- a) for three-product separation (cleaned coal, middlings and reject);
- b) for two-product separation (cleaned coal and reject).

For convenience, an identical layout has been adopted for both sets of tables but, in those intended for use with two-product separations, the columns that relate only to three-product separation have been left blank to avoid confusion.

Each set of tables is presented in two ways.

- a) Blank tables, to show the method of printing (see Form 1 and Form 3 in clauses B.4 and B.6, respectively).
- b) Tables completed by filling in the figures relating to test results. For example, Form 2 and Form 4 shown in clauses B.5 and B.7 give the results of a test using a Baum jig washer.

NOTE The example described in this annex was carried out prior to the publication of ISO 7936. The particle sizes used therefore are not in accordance with those specified in that International Standard.

For the test described in this example, the washer was supplied with coal sized from 152 mm to 0 mm. The figures used refer to the fraction sized between 12,7 mm and 0,5 mm. The fine material below 0,5 mm was removed from the samples before carrying out float and sink tests, because this fine material presents difficulties in testing. Moreover, the jig is not expected to clean material smaller than 0,5 mm.

For a full analysis of the test, tables similar to those given for the 12,7 mm to 0,5 mm size would be required for the other sizes of the raw coal, in this instance 152 mm to 51 mm, 51 mm to 25,4 mm, and 25,4 mm to 12,7 mm. Such tables would enable the performance on the different sizes to be compared. By adding together the results on the four individual sizes, a further set of tables could be constructed giving cumulative data for the whole of the 152 mm to 0,5 mm coal.

In this test, three products were made: cleaned coal, middlings and reject. The reject is the material removed by the primary reject elevator and the middlings is the reject from the secondary reject elevator. The tables headed "three-product separation" are built up from float and sink tests at various relative densities from 1,30 to 2,20 on samples of each of these three products. Although intervals of 0,1 relative density have been used for the example, different ranges and intervals may be required in other cases.

The figures in the tables headed "two-product separation" have been calculated from these same figures on the assumption that the products from both elevators (i.e. the middlings and the reject) were combined so that there were two products only: cleaned coal and a single reject.

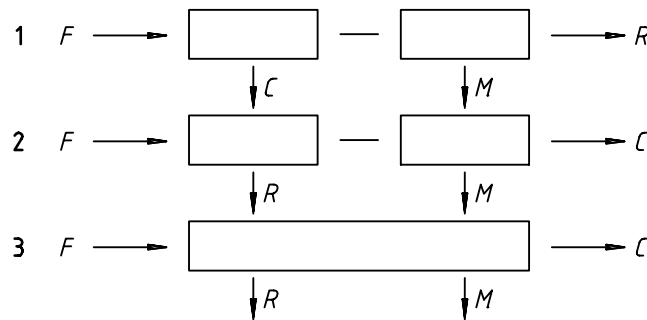
## ISO 923:2000(E)

## B.2 Expression of efficiency in the three-product separation

Three-product separation may be regarded as a combination of two distinct two-product separations (i.e. a low-density cut and a high-density cut), whether these two stages are in fact carried out in different separating vessels or in different parts of the same vessel.

The diagrams in Figure B.1 illustrate different combinations of the two stages.

Diagram No.



## Key

- $F$  Feed (reconstituted raw coal)  
 $C$  Cleaned coal  
 $R$  Reject  
 $M$  Intermediate product (middlings)

**iTeh STANDARD PREVIEW**  
 (standards.iteh.ai)

Figure B.1

Diagrams 1 and 2 represent typical arrangements for a two-stage dense-medium separation, the only difference being that the low-density cut comes first in diagram 1 and second in diagram 2, whereas diagram 3 represents a normal three-product jig (or a three-product dense-medium separation). The middlings  $M$  may be collected as a separate product, or recirculated, or otherwise dealt with, but provided that any recirculated middlings are included in the reconstituted feed  $F$ , the argument is unaffected.

The efficiency of a three-product separation may be calculated in two different ways:

- Method A, by regarding it as two distinct and individual separations, each with its own feed;
- Method B, by regarding it as a single comprehensive separation, the feed for which is the reconstituted raw coal.

To calculate the partition coefficients, the appropriate formulae for these two methods, for the combinations of plant illustrated in the diagrams, are as follows:

For diagram 1

- Method A:
 

low-density cut	$\frac{100 (M + R)}{C + M + R}$
high-density cut	$\frac{100 R}{C + M + R}$
- Method B:
 

low-density cut	$\frac{100 (M + R)}{C + M + R}$
high-density cut	$\frac{100 M}{C + M + R}$

For diagram 2

a) Method A: high-density cut  $\frac{100 R}{C + M + R}$

low-density cut  $\frac{100 M}{C + M}$

b) Method B: high-density cut  $\frac{100 R}{C + M + R}$

low-density cut  $\frac{100 M}{C + M + R}$

For diagram 3

a) Method A: high-density cut  $\frac{100 R}{C + M + R}$

low-density cut  $\frac{100 M}{C + M}$

b) Method B: high-density cut  $\frac{100 R}{C + M + R}$

low-density cut  $\frac{100 (M + R)}{C + M + R}$

iTeh STANDARD PREVIEW  
(standards.iteh.ai)

Although for Method A the formulae are identical for diagrams 2 and 3, in the latter case there is no sharp dividing line between the first and second cuts. The first (high-density) cut separates the reject  $R$  from the combination of the cleaned coal  $C$  and middlings  $M$ , and it is this combination that becomes the feed to the second stage of the separation.

Method A enables the efficiency of each of the two separations to be studied individually, because only the material actually admitted to the separation is included in the calculation. This is of advantage when considering the performance of each machine or stage in the separation process.

Method B does not show up so emphatically the actual performance of the second machine or stage, but by referring each separation back to the reconstituted raw feed it facilitates comparisons of the efficiency of the whole separation process in terms of the results on the original raw coal. (The sequence of operations included in this complete process may include steps not shown in diagrams 1 to 3, for example crushing of the middlings and its recirculation to the feed, which is common in jig washing and may also occur in dense-medium separation.)

It is essential, whenever the efficiency of a three-product separation is expressed (for example, in descriptions of plant and efficiency statements and guarantees), that it be clearly stated which of these two bases has been used for the calculation. To facilitate this, it is proposed that Method A be described as the equipment performance basis, and Method B as the coal performance basis.

Tables B.1 to B.10 for the three-product separations are drawn up on the coal performance basis. When calculations are made on the equipment performance basis, it is recommended that two-product tables be used (one for each stage). It is possible, however, to deduce the results from the three-product table; thus, partition coefficients for the second cut would be calculated on the equipment performance basis as follows:

a) for diagram 1 (see Figure B.1 in clause B.2), column (12) would be calculated from (7)/(9) instead of (7)/(10) in Table B.7;

b) for diagrams 2 and 3 (see Figure B.1 in clause B.2), column (13) would be calculated from (6)/(8) instead of (9)/(10) in Table B.7.