

INTERNATIONAL STANDARD

ISO
8624

First edition
1991-11-15

Optics and optical instruments — Ophthalmic optics — Measuring system for spectacle frames

iTeh STANDARD PREVIEW
*Optique et instruments d'optique — Optique ophtalmique — Système de
mesure des montures de lunettes*
(standards.iteh.ai)

ISO 8624:1991

[https://standards.iteh.ai/catalog/standards/sist/c1c3bcf0-49c2-4731-9608-
c3a28ac0bd6c/iso-8624-1991](https://standards.iteh.ai/catalog/standards/sist/c1c3bcf0-49c2-4731-9608-c3a28ac0bd6c/iso-8624-1991)



Reference number
ISO 8624:1991(E)

Foreword

ISO (the International Organization for Standardization) is a worldwide federation of national standards bodies (ISO member bodies). The work of preparing International Standards is normally carried out through ISO technical committees. Each member body interested in a subject for which a technical committee has been established has the right to be represented on that committee. International organizations, governmental and non-governmental, in liaison with ISO, also take part in the work. ISO collaborates closely with the International Electrotechnical Commission (IEC) on all matters of electrotechnical standardization.

Draft International Standards adopted by the technical committees are circulated to the member bodies for voting. Publication as an International Standard requires approval by at least 75 % of the member bodies casting a vote.

International Standard ISO 8624 was prepared by Technical Committee ISO/TC 172, *Optics and optical instruments*, Sub-Committee SC 8, *Ophthalmic optics*.

<https://standards.iteh.ai/catalog/standards/sist/c1c3bcf0-49c2-4731-9608-c3a28ac0bd6c/iso-8624-1991>

© ISO 1991

All rights reserved. No part of this publication may be reproduced or utilized in any form or by any means, electronic or mechanical, including photocopying and microfilm, without permission in writing from the publisher.

International Organization for Standardization
Case Postale 56 • CH-1211 Genève 20 • Switzerland

Printed in Switzerland

Optics and optical instruments — Ophthalmic optics — Measuring system for spectacle frames

1 Scope

This International Standard specifies a measuring system for spectacle frames.

2 Measuring system

The measuring system for spectacle frames shall be as detailed in figures 1 and 2 and in table 1.

NOTE 1 The measuring system is based on the boxing-system which uses a rectangle as the basis for the determination of the dimensions of the spectacle frame. It comprises several horizontal and vertical dimensions and reference points. The knowledge of these is necessary for the manufacturing, ordering and adjustment of spectacle frames as well as for the exact mounting of lenses into frames.

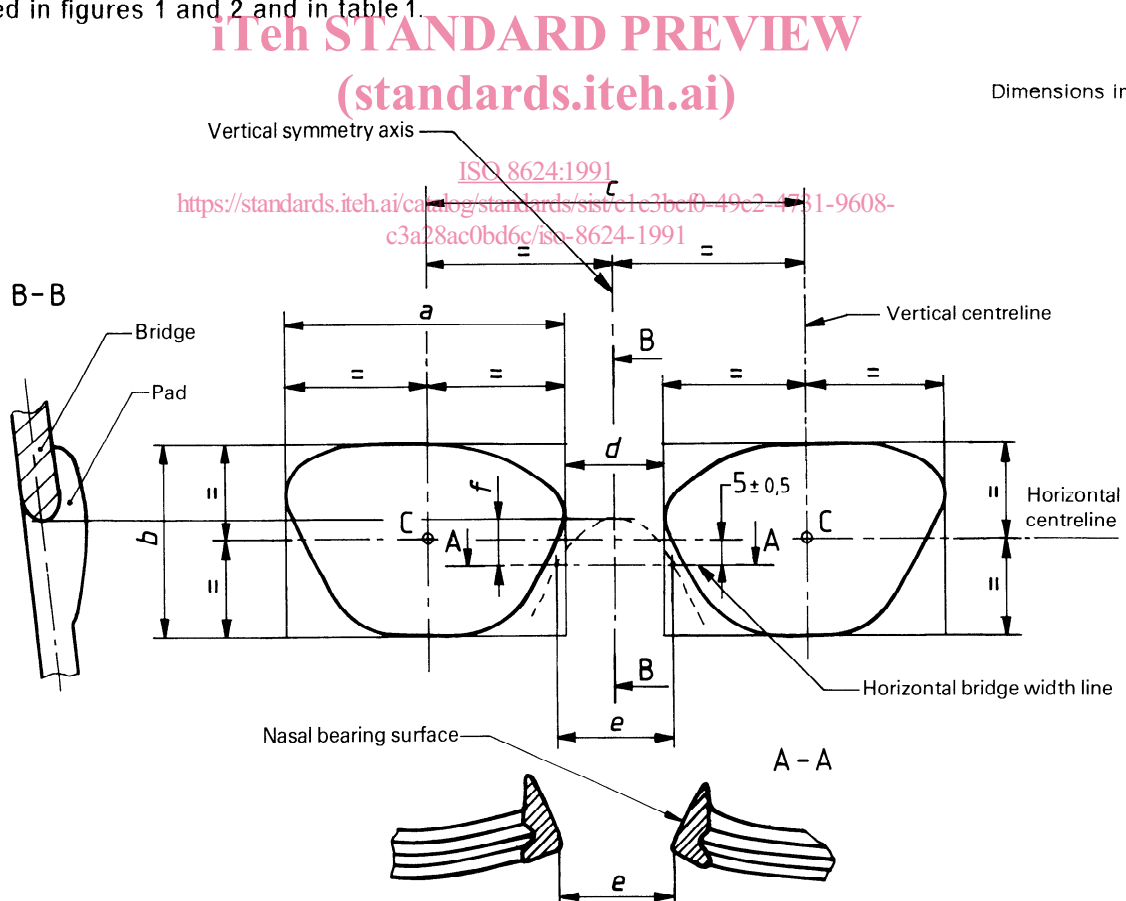


Figure 1 — Diagrammatic presentation of the measuring system

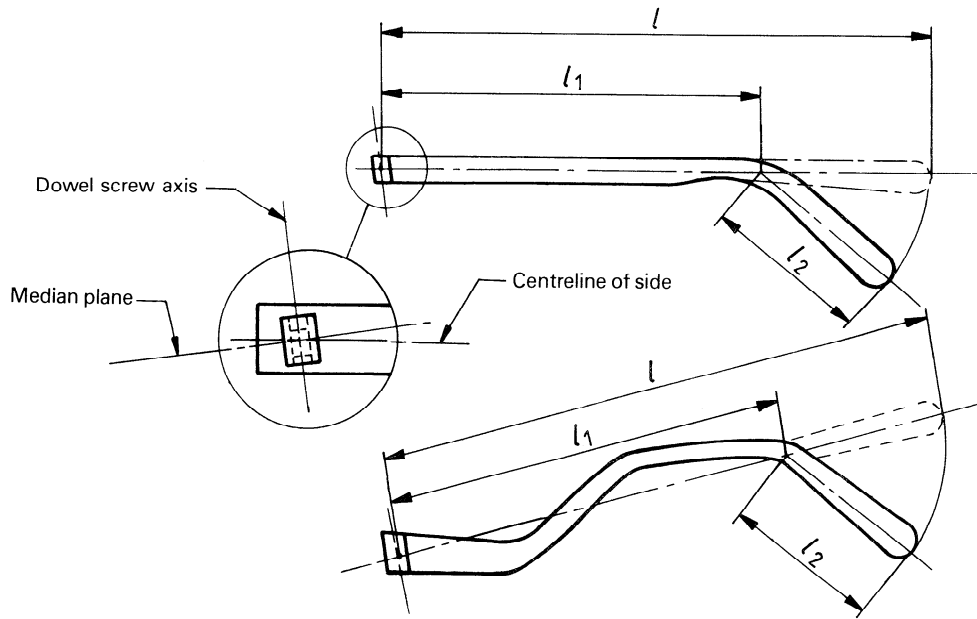


Figure 2 — Overall length of side ($l = l_1 + l_2$)

iTeh STANDARD PREVIEW
(standards.iteh.ai)

ISO 8624:1991

<https://standards.iteh.ai/catalog/standards/sist/c1c3bcf0-49c2-4731-9608-c3a28ac0bd6c/iso-8624-1991>

Table 1 — Code letters, terms and definitions (see figures 1 and 2)

Dimension letter or code letter	Term	Definition
C	Boxed centre	Intersection of the horizontal and vertical centrelines of the rectangular box which circumscribes the lens shape.
<i>a</i>	Horizontal lens size	Distance between the vertical sides of the rectangle which circumscribes the lens shape.
<i>b</i>	Vertical lens size	Distance between the horizontal sides of the rectangle which circumscribes the lens shape.
<i>c</i>	Distance between centres	Distance between the boxed centres "C" (see figure 1).
<i>d</i> (see note 1)	Distance between lenses	Distance between the nearest points of the apices of the two lenses.
<i>l</i>	Overall length of side	Length (see figure 2) from the intersection of the dowel screws axis with the median plane of the joint to the end of the side $l = l_1 + l_2$
<i>l</i> ₁	Length to bend	Length from the intersection of the dowel axis with the median plane of the joint to the intersection point of the axis of the tip and side, measured on the side axis.
<i>l</i> ₂	Length to drop	Length from the intersection point of the axis of the side and tip to the end of the side.
<i>e</i>	Bridge width	Minimum distance between the pad surfaces of the frame measured on the bridge width line (see section A-A of figure 1) 5 mm below the horizontal centreline.
<i>f</i>	Bridge height	Vertical distance from the bridge width line (A-A) to the intersection point of the vertical symmetry axis with the lower edge of the bridge.

NOTES

<https://standards.iteh.ai/catalog/standards/sist/c1c3bcf0-49c2-4731-9608-7e28e0bd675e/iso-8624-1991>

- In the definition of *d*, the term "lenses" refers to a pair of hypothetical lenses with an edge thickness greater than the width of the frame groove and having bevels with symmetrically included angle of 120°.
- The front dimensions *e* and *f* are not an integral part of the boxing system, but are considered to be important measurements and are, therefore, an essential part of this International Standard.
- For frames provided with adjustable pads, dimension *e* is quoted relative to the intended pad position.

iTeh STANDARD PREVIEW
(standards.iteh.ai)

This page intentionally left blank

[ISO 8624:1991](#)

<https://standards.iteh.ai/catalog/standards/sist/c1c3bcf0-49c2-4731-9608-c3a28ac0bd6c/iso-8624-1991>

iTeh STANDARD PREVIEW
(standards.iteh.ai)

This page intentionally left blank

[ISO 8624:1991](#)

<https://standards.iteh.ai/catalog/standards/sist/c1c3bcf0-49c2-4731-9608-c3a28ac0bd6c/iso-8624-1991>

iTeh STANDARD PREVIEW
(standards.iteh.ai)

ISO 8624:1991

<https://standards.iteh.ai/catalog/standards/sist/c1c3bcf0-49c2-4731-9608-c3a28ac0bd6c/iso-8624-1991>

UDC 681.732.072.42:531.71

Descriptors: optics, optical equipment, ophthalmic optics, spectacle frames, measurement, dimensional measurements, measuring techniques.

Price based on 3 pages
