

---

---

**Podrobna specifikacija: Tektakotni konektorji - Ploščati kontakti, debeli 0,8 mm, neodstranljivi zaskočni vijak**

**(istoveten EN 175301-803:2006)**

Detail Specification: Tectangular connectors - Flat contacts, 0,8 mm thickness, locking screw not detachable

**iTeh STANDARD PREVIEW**  
**(standards.iteh.ai)**

[SIST EN 175301-803:2007](https://standards.iteh.ai/catalog/standards/sist/cb75b769-d086-465a-a41-248230472530/sist-en-175301-803-2007)

<https://standards.iteh.ai/catalog/standards/sist/cb75b769-d086-465a-a41-248230472530/sist-en-175301-803-2007>

**iTeh STANDARD PREVIEW**  
**(standards.iteh.ai)**

SIST EN 175301-803:2007

<https://standards.iteh.ai/catalog/standards/sist/cb75b769-d086-465a-af41-248230472530/sist-en-175301-803-2007>

English version

**Detail Specification: Rectangular connectors -  
Flat contacts, 0,8 mm thickness, locking screw not detachable**

Spécification particulière:  
Connecteurs rectangulaires -  
Contacts plats, épaisseur de 0,8 mm,  
vis d'arrêt non détachable

Bauartspezifikation:  
Rechteckige Steckverbinder -  
Flachkontakte mit 0,8 mm Dicke,  
unverlierbare Verriegelungsschraube

This European Standard was approved by CENELEC on 2005-10-01. CENELEC members are bound to comply with the CEN/CENELEC Internal Regulations which stipulate the conditions for giving this European Standard the status of a national standard without any alteration.

Up-to-date lists and bibliographical references concerning such national standards may be obtained on application to the Central Secretariat or to any CENELEC member.

This European Standard exists in three official versions (English, French, German). A version in any other language made by translation under the responsibility of a CENELEC member into its own language and notified to the Central Secretariat has the same status as the official versions.

CENELEC members are the national electrotechnical committees of Austria, Belgium, Cyprus, the Czech Republic, Denmark, Estonia, Finland, France, Germany, Greece, Hungary, Iceland, Ireland, Italy, Latvia, Lithuania, Luxembourg, Malta, the Netherlands, Norway, Poland, Portugal, Romania, Slovakia, Slovenia, Spain, Sweden, Switzerland and the United Kingdom.

**CENELEC**

European Committee for Electrotechnical Standardization  
Comité Européen de Normalisation Electrotechnique  
Europäisches Komitee für Elektrotechnische Normung

**Central Secretariat: rue de Stassart 35, B - 1050 Brussels**

## Foreword

This European Standard was prepared by the CENELEC BTWG 117-1, Revision of EN 175301-801:1999 and EN 175301-803:1999. The text of the draft was submitted to the formal vote and was approved by CENELEC as EN 175301-803 on 2005-10-01.

This European Standard supersedes EN 175301-803:1999.

The following dates were fixed:

- latest date by which the EN has to be implemented  
at national level by publication of an identical  
national standard or by endorsement (dop) 2007-03-01
  - latest date by which the national standards conflicting  
with the EN have to be withdrawn (dow) 2008-10-01
- 

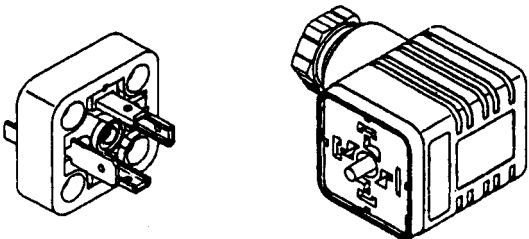
## iTeh STANDARD PREVIEW (standards.iteh.ai)

[SIST EN 175301-803:2007](https://standards.iteh.ai/catalog/standards/sist/cb75b769-d086-465a-a41-248230472530/sist-en-175301-803-2007)

<https://standards.iteh.ai/catalog/standards/sist/cb75b769-d086-465a-a41-248230472530/sist-en-175301-803-2007>

## Contents

	Page
1 General information.....	4
2 Normative references.....	4
3 Style designation.....	6
4 Common features.....	7
4.1 Isometric view.....	7
4.2 Mating information.....	7
4.3 Survey of styles.....	8
5 Dimensions.....	9
5.1 General.....	9
5.2 Fixed connector.....	10
5.3 Free connector.....	15
5.4 Marking.....	18
5.5 Contacts termination.....	19
5.6 Mounting dimensions.....	20
6 Characteristics.....	22
6.1 Climatic category.....	22
6.2 Electrical characteristics.....	22
6.3 Mechanical characteristics.....	23
7 Test schedule.....	23
7.1 General.....	23
7.2 Group P (preliminary).....	24
7.3 Groups AP, BP and CP.....	25
8 Quality assessment procedures.....	26
8.1 Qualification approval testing.....	26
8.2 Quality conformance inspection.....	27
8.3 Delayed delivery, re-inspection.....	28
9 Ordering information.....	28

<p>ELECTRONIC COMPONENTS OF ASSESSED QUALITY</p> <p>– DETAIL SPECIFICATION IN ACCORDANCE WITH EN 61076-1:1995</p>	<p><b>EN 175301-803 issue 2</b></p> <hr/> <p>Page 4 of 28 pages</p>
<p>see Clause 5 for dimensions</p> 	<p>Detail specification for rectangular connectors, flat contacts, 0,8 mm thickness, locking screw not detachable.</p> <p>2 or 3 contacts + protective earth (PE) contact</p> <p>Termination: Screw, solder</p>
<p>Assessment levels: B and G (*)</p>	

Climatic category: see 6.1

Electrical characteristics: see 6.2

Mechanical characteristics: see 6.3

Ordering information: see clause 9

(\*) see clauses 7 and 8

[SIST EN 175301-803:2007](https://standards.iteh.ai/catalog/standards/sist/cb75b769-d086-465a-a41-18130172530/sist-en-175301-803-2006)

<https://standards.iteh.ai/catalog/standards/sist/cb75b769-d086-465a-a41-18130172530/sist-en-175301-803-2006>

Information about manufacturer who have components qualified to this detail specification is available in the current CECC 00 200: (Register of Firms, Products and Services Approved under the CECC System).

## 1 General information

This standard covers a range of rectangular connectors with flat contacts, 0,8 mm thickness, locking screw not detachable, intended for use in industrial installations for connection or termination of sub-assemblies or components in electrical equipment in measuring, regulating and control circuits, in equipment for power supply, in fluid and air power system and components and other electronic devices employing similar techniques.

## 2 Normative references

The following referenced documents are indispensable for the application of this document. For dated references, only the edition cited applies. For undated references, the latest edition of the referenced document (including any amendments) applies.

EN 2591	1992	Aerospace series – Elements of electrical and optical connection – Test methods – General
EN 60068-1	1994	Environmental testing – Part 1: General and guidance (IEC 60068-1:1988 + corrigendum October 1988 + A1:1992)
EN 60512	Series	Connectors for electronic equipment – Test and measurements (IEC 60512 series)

EN 60529	1991	Degrees of protection provided by enclosures (IP Code) (IEC 60529:1989)
EN 60664-1	2003	Insulation co-ordination for equipment within low-voltage systems – Part 1: Principles, requirements and tests (IEC 60664-1:1992 + A1:2000 + A2:2002)
EN 60999-1	2000	Connecting devices - Electrical copper conductors – Safety requirements for screw-type and screwless-type clamping units – Part 1: General requirements and particular requirements for clamping units for conductors from 0,2 mm <sup>2</sup> up to 35 mm <sup>2</sup> (included) (IEC 60999-1:1999)
EN 61076-1	1995	Connectors with assessed quality, for use in d.c., low frequency analogue and in digital high-speed data applications – Part 1: Generic specification - Capability approval (IEC 61076-1:1995)
EN 61076-3	2000	Connectors for use in d.c., low-frequency analogue and digital high-speed data applications – Part 3: Rectangular connectors with assessed quality - Sectional specification (IEC 61076-3:1999)
EN 175300	1996	Sectional Specification: Rectangular connectors for frequencies below 3 MHz
EN ISO 1043-1	2001	Plastics – Symbols and abbreviated terms – Part 1: Basic polymers and their special characteristics (ISO 1043-1:2001)
EN ISO 1043-2	2001	Plastics – Symbols and abbreviated terms – Part 2: Fillers and reinforcing materials (ISO 1043-2:2000)
EN ISO 6743-4	2001	Lubricants, industrial oils and related products (class L) – Classification – Part 4: Family H (Hydraulic systems) (ISO 6743-4:1999)
IEC 60410	1973	Sampling plans and procedures for inspections by attributes
IEC 60417	Database	Graphical symbols for use on equipment
IEC 60760	1989	Flat, quick-connect terminations
A1	1993	

iTeh STANDARD PREVIEW

(standards.iteh.ai)

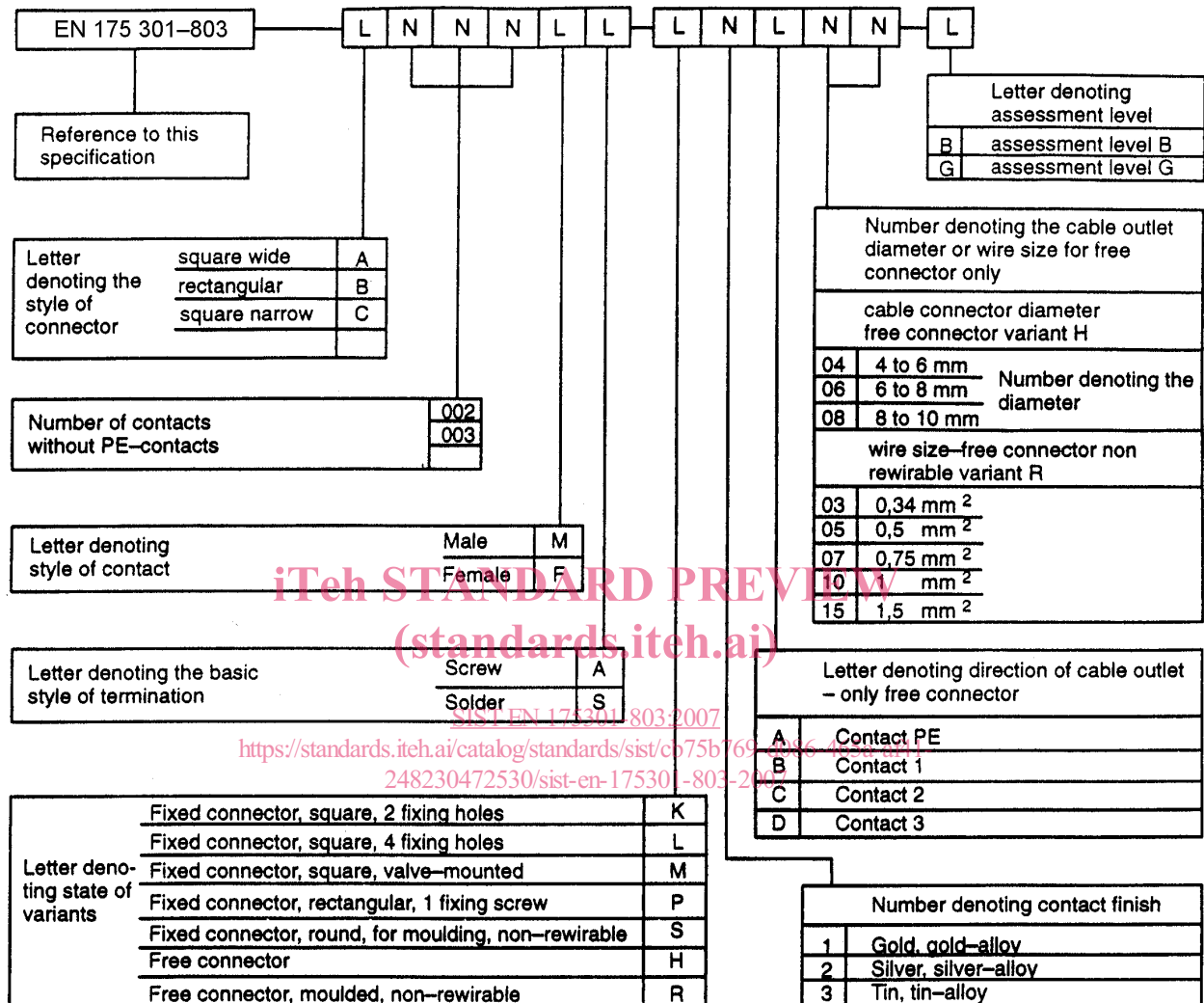
SIST EN 175301-803:2007

<https://standards.iteh.ai/catalog/standards/sist/cb750709-d086-405a-af1-248230472530/sist-en-175301-803-2007>

248230472530/sist-en-175301-803-2007

### 3 Style designation

Connectors with assessment level according to this specification shall be designated by the following system:



NOTE "L" stands for letter  
"N" stands for number

EXAMPLES Fixed connector style A, having 3 male contacts with tin-alloy contact finish with solder terminations.

Variant M assessment level G: EN 175301-803-A003MS-M3-G

Free connector style, having 2 female contacts with silver-alloy contact finish with screw terminations. Variant H cable outlet on contact 3 (D) and cable outlet dia 6,5 and assessment level B: EN 175301-803-A002FA-H2D08-B



## 4 Common features

### 4.1 Isometric view

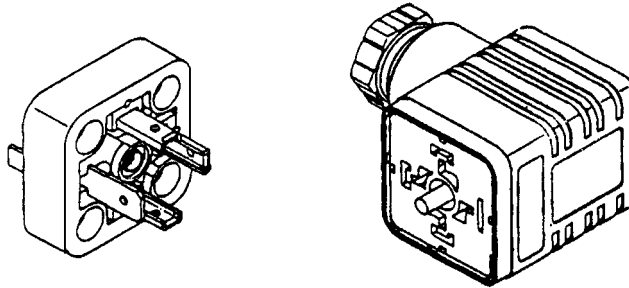


Figure 1 – Isometric view

### 4.2 Mating information

Arrow indicate mating direction

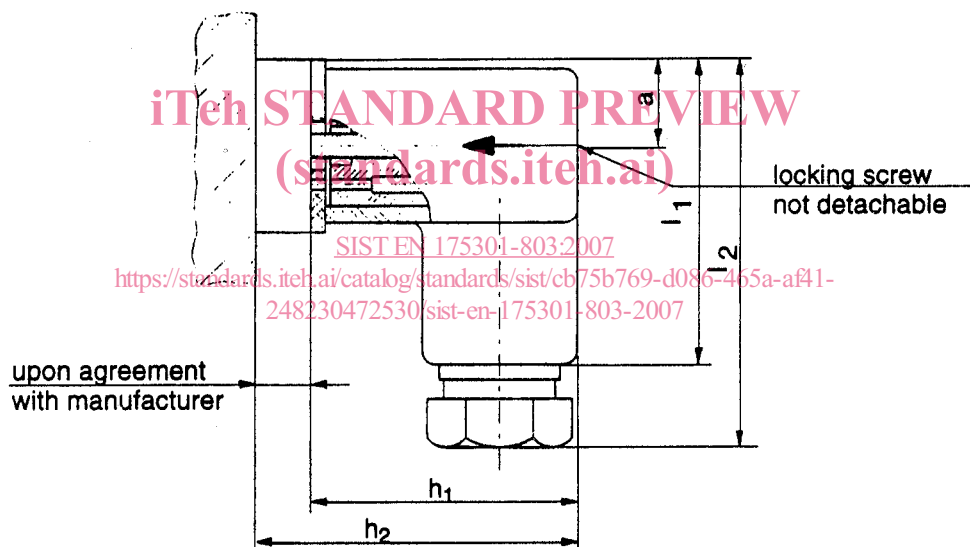


Figure 2 – Mating information

**Table 1 – Mating dimensions of permissible styles**

Style	Combination of variants	a max. mm	l <sub>1</sub> max. mm	l <sub>2</sub> max. mm	h <sub>1</sub> max. mm	h <sub>2</sub> max. mm
A	HF-KM	15	45	60	41,8	61,8
	HF-LM	15	45	60	41,8	61,8
	HF-MM	15	45	60	41,8	61,8
	HF-SM	15	45	60	41,8	<sup>a</sup>
B	HF-RM	14,75	45	60	42,3	62,3
C	HF-KM	8,5	34	44	27,7	47,7
	HF-SM	8,5	34	44	27,7	<sup>a</sup>

<sup>a</sup> Upon agreement between manufacturer and user.

**4.3 Survey of styles**

Number of contacts: 2 + PE; 3 + PE

Connector shape: Style A: square 28 mm, Style B: rectangular, Style C: square: 16 mm

**4.3.1 Survey of variants**

**4.3.1.1 Fixed connectors (male contacts)**

Variant K,  
square, 2 fixing holes, front mounting

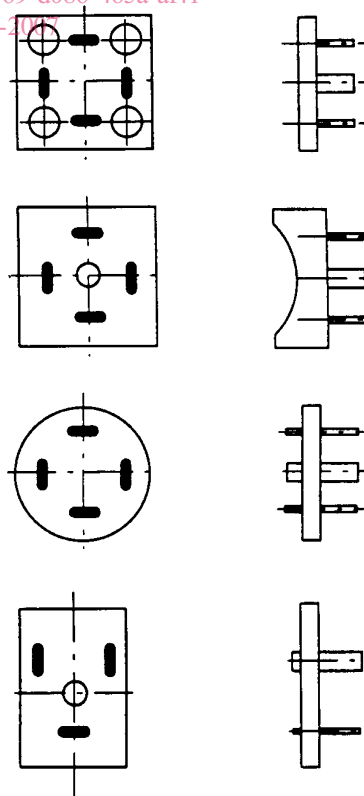
<https://standards.iteh.ai/catalog/standards/sist/cb75b769-d086-465a-a41-248230472530/sist-en-175301-803-2006>

Variant L,  
square, 4 fixing holes, front mounting

Variant M,  
square, 1 fixing screw, front mounting

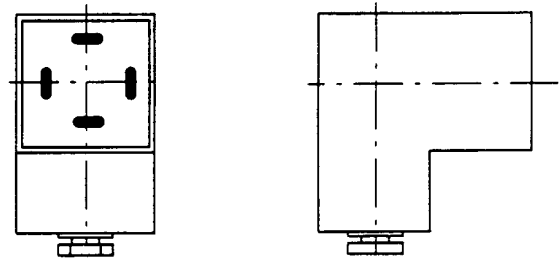
Variant S,  
round, for potting, rear mounting (tube)

Variant P,  
rectangular, 1 fixing screw

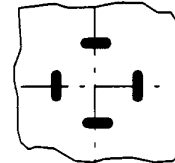


#### 4.3.1.2 Free connectors (female contacts)

Variant H,  
free connector



Variant R,  
free connector, non-rewirable



## 5 Dimensions

### 5.1 General

Dimensions in mm are original. Drawings are shown in the first angle projection. The shape of the connectors may deviate from those given in the following drawings as long as the specified dimensions are not influenced. Missing dimensions shall be chosen according to common characteristics and the intended use.

(standards.iteh.ai)

[SIST EN 175301-803:2007](https://standards.iteh.ai/catalog/standards/sist/cb75b769-d086-465a-af41-248230472530/sist-en-175301-803-2007)

<https://standards.iteh.ai/catalog/standards/sist/cb75b769-d086-465a-af41-248230472530/sist-en-175301-803-2007>

5.2 Fixed connector

5.2.1 Connector style A, with male contacts

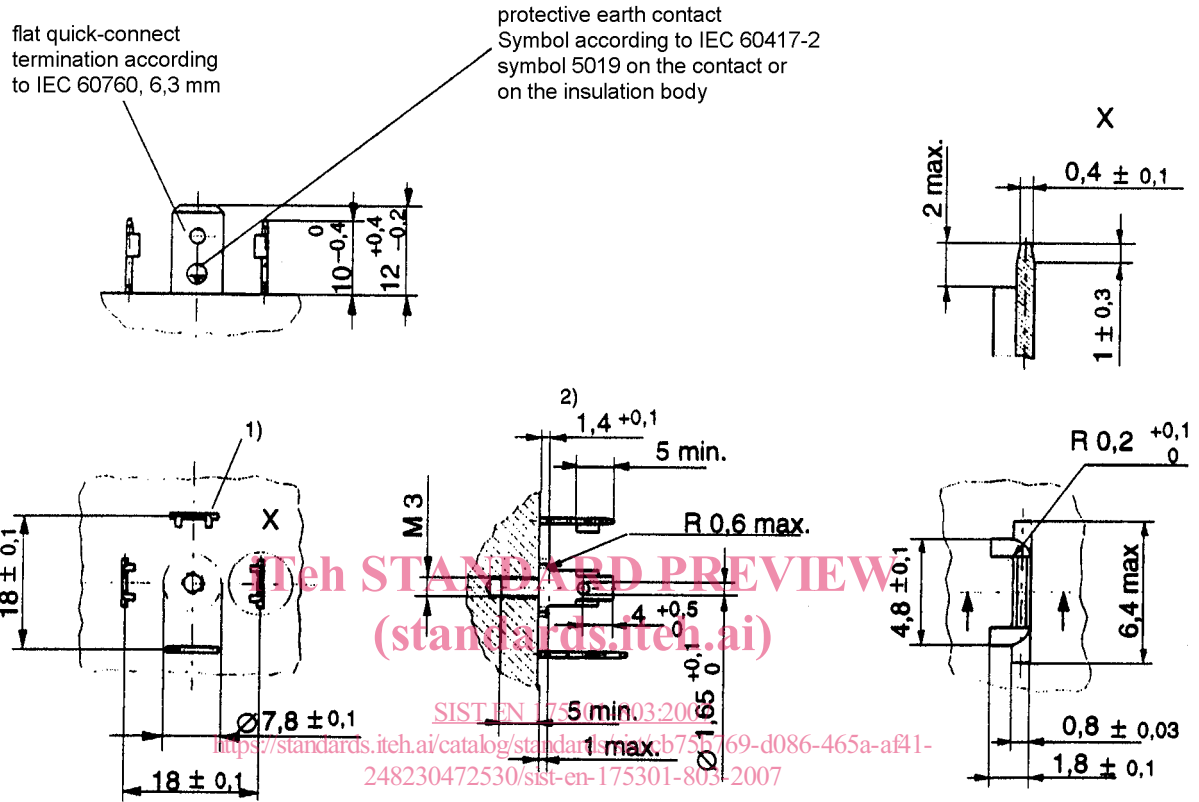


Figure 3 – Mating dimensions, 2 and 3 contacts + protective earth;  
Variants K, L, M and S