



SLOVENSKI STANDARD

SIST ISO 8759-2:1995

01-april-1995

Kmetijski kolesni traktorji - Prednje tritočkovno priključno drogovje in prednja priključna gred - 2. del: Prednje tritočkovno priključno drogovje

Agricultural wheeled tractors -- Front-mounted linkage and power take-off -- Part 2: Front linkage

iTeh STANDARD PREVIEW

Tracteurs agricoles à roues -- Attelage et prise de force montés à l'avant -- Partie 2: Attelage avant

[SIST ISO 8759-2:1995](https://standards.iteh.ai/catalog/standards/sist/4597fd17f-6c0c-431f-9cb4-a529807beaf5/sist-iso-8759-2-1995)

Ta slovenski standard je istoveten z: [ISO 8759-2:1985](https://standards.iteh.ai/catalog/standards/sist/4597fd17f-6c0c-431f-9cb4-a529807beaf5/sist-iso-8759-2-1995)

ICS:

65.060.10 Kmetijski traktorji in prikolice Agricultural tractors and
trailed vehicles

SIST ISO 8759-2:1995

en

iTeh STANDARD PREVIEW
(standards.iteh.ai)

SIST ISO 8759-2:1995

<https://standards.iteh.ai/catalog/standards/sist/4597fd7f-6c0c-431f-9cb4-a529807beaf5/sist-iso-8759-2-1995>

International Standard



8759/2

INTERNATIONAL ORGANIZATION FOR STANDARDIZATION • МЕЖДУНАРОДНАЯ ОРГАНИЗАЦИЯ ПО СТАНДАРТИЗАЦИИ • ORGANISATION INTERNATIONALE DE NORMALISATION

Agricultural wheeled tractors — Front-mounted linkage and power take-off — Part 2: Front linkage

Tracteurs agricoles à roues — Attelage et prise de force montés à l'avant — Partie 2: Attelage avant

First edition — 1985-11-15

(standards.iteh.ai)

[SIST ISO 8759-2:1995](https://standards.iteh.ai/catalog/standards/sist/4597fd7f-6c0c-431f-9cb4-a529807beaf5/sist-iso-8759-2-1995)

<https://standards.iteh.ai/catalog/standards/sist/4597fd7f-6c0c-431f-9cb4-a529807beaf5/sist-iso-8759-2-1995>

Foreword

ISO (the International Organization for Standardization) is a worldwide federation of national standards bodies (ISO member bodies). The work of preparing International Standards is normally carried out through ISO technical committees. Each member body interested in a subject for which a technical committee has been established has the right to be represented on that committee. International organizations, governmental and non-governmental, in liaison with ISO, also take part in the work.

Draft International Standards adopted by the technical committees are circulated to the member bodies for approval before their acceptance as International Standards by the ISO Council. They are approved in accordance with ISO procedures requiring at least 75 % approval by the member bodies voting.

International Standard ISO 8759/2 was prepared by Technical Committee ISO/TC 23, *Tractors and machinery for agriculture and forestry*.

Users should note that all International Standards undergo revision from time to time and that any reference made herein to any other International Standard implies its latest edition, unless otherwise stated.

Agricultural wheeled tractors — Front-mounted linkage and power take-off —

Part 2: Front linkage

1 Scope and field of application

This part of ISO 8759 specifies requirements of the linkage to attach implements or equipment to the front of agricultural wheeled tractors. This shall be a three-point linkage in association with a power lift.

It applies to the categories of tractors defined in ISO 730/1.

NOTE — Part 1 of ISO 8759 specifies requirements for the power take-off.

2 References

ISO 730/1, *Agricultural wheeled tractors — Three-point linkage — Part 1: Categories 1, 2 and 3.*

ISO 2332, *Agricultural tractors and machinery — Connections — Clearance zone for the three-point linkage of implements.*

ISO 8759/1, *Agricultural wheeled tractors — Front-mounted linkage and power take-off — Part 1: Power take-off.*

3 Definitions

For the purposes of this part of ISO 8759, the definitions given in ISO 730/1, ISO 2332 and ISO 8759/1 apply.

4 Dimensions

4.1 Hitch points and surrounding zone

The hitch point dimensions shall be as given in tables 1 and 2. For implement to tractor linkage clearance, see ISO 2332.

4.2 Lift range

The lift range shall be as given in table 3.

4.3 Relationship between PTO and front hitch points

The distance, T , from the front end of the power take-off (PTO) to the centre of the lower hitch points (with the lower link horizontal) (see figure 1) shall be as given in table 1.

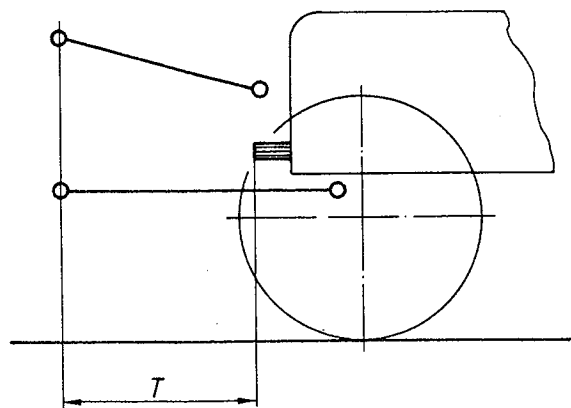
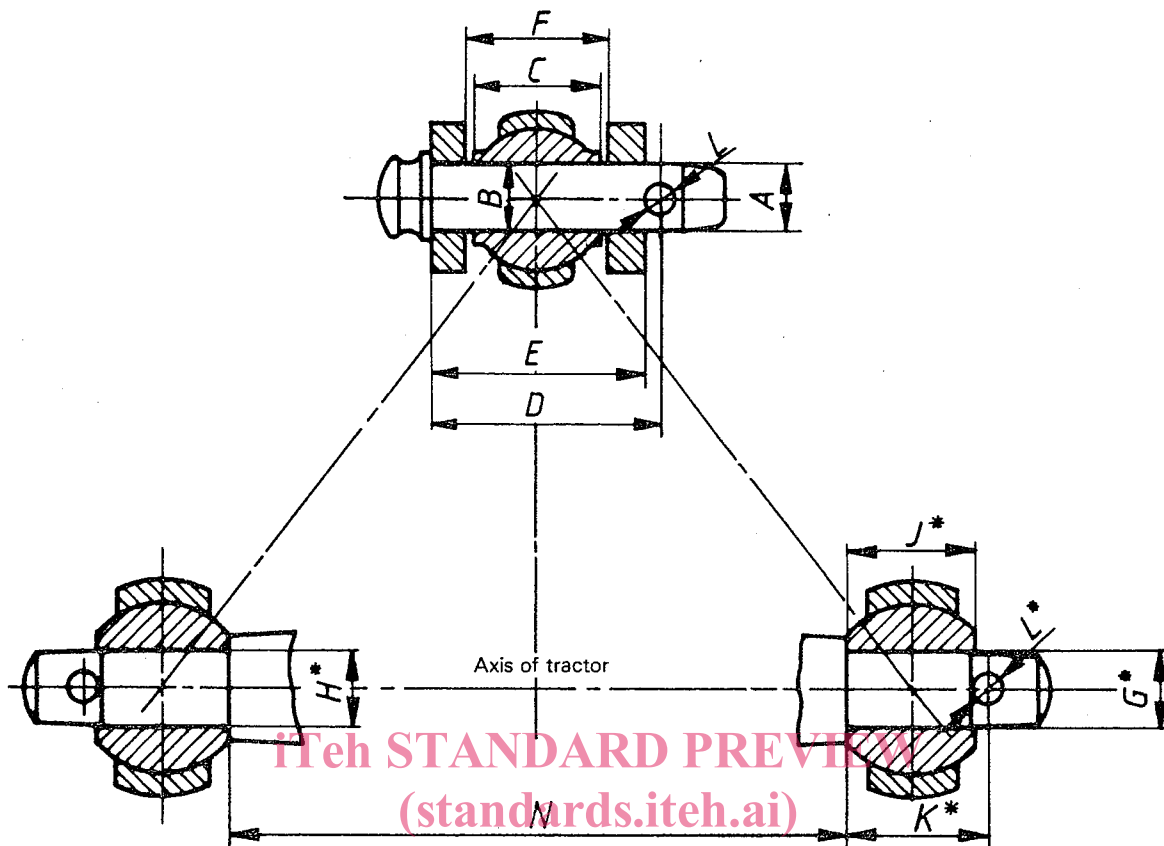


Figure 1 — Dimension T

Table 1 — Dimension T

Dimensions in millimetres

Dimension	min.	max.
T	550	675

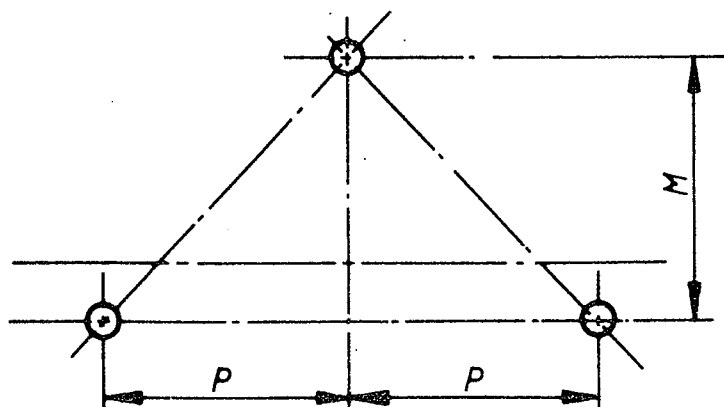


ITeh STANDARD PREVIEW
(standards.iteh.ai)

SIST ISO 8759-2:1995

a) Point dimensions

<https://standards.iteh.ai/catalog/standards/sist/4597fd7f-6c0c-431f-9cb4-a529807beaf5/sist-iso-8759-2-1995>



b) Hitch point triangle

* applies on both sides

Figure 2 – Hitch point dimensions

Table 2 — Hitch point dimensions (see figure 2)

Dimensions in millimetres

Dimension	Description	Value	
		min.	max.
	Upper hitch point		
<i>A</i>	Diameter of hitch pin	25,27	25,4
<i>B</i>	Diameter of hitch pin hole	25,7	25,91
<i>C</i>	Width of ball	—	51
<i>D</i>	Linch-pin hole distance	93	—
<i>E</i>	Width between outer faces of yoke	—	86
<i>F</i>	Width between inner faces of yoke	52	—
	Lower hitch points		
<i>G</i>	Diameter of hitch pin	27,79	28
<i>H</i>	Diameter of hitch pin hole	28,7	29,03
<i>J</i>	Width of ball	44,80	45,0
<i>K</i>	Linch-pin hole distance	49	—
	Linch-pin hole diameter		
<i>L</i>	for upper hitch pin	12	—
	for lower hitch pins	12	—
<i>M</i>	Mast height	510	660
<i>N</i>	Lower hitch point span	825 ± 1,5*	
<i>P</i>	Side distance from lower hitch point to centreline of tractor	435*	

* It may be necessary to vary these dimensions in cases of specialized implements. Where a shorter distance between the lower hitch points is necessary, the following values are preferred:

N = 683

P = 364

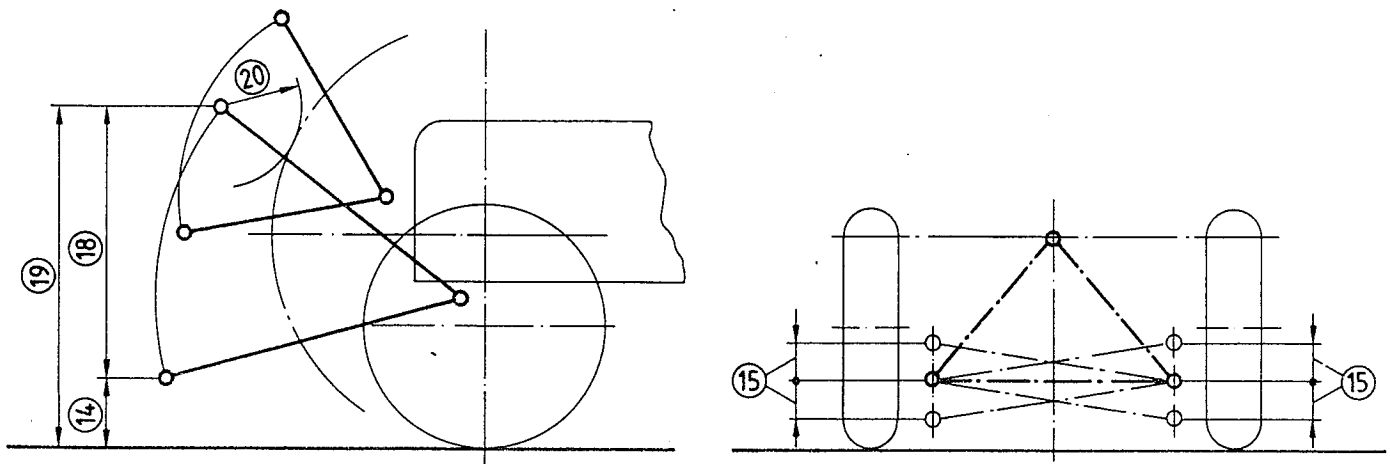


Figure 3 — Components of front three-point linkage

Table 3 — Lift and lift height range (see figure 3)

Dimensions in millimetres

Dimension ¹⁾	Description	Value
⑭	Lower hitch points height above supporting surface	200 (max.)
⑮	Levelling adjustment range	100 (min.)
⑱	Power range	600 (min.)
⑲	Transport height ²⁾ (lower hitch point axis horizontal throughout)	890 (min.)
⑳	Lower hitch point clearance	100 (min.)

1) The reference numbers are as in ISO 730/1.

2) The dimensions given are based on the assumption that the tractor manufacturer's normal wheel equipment is fitted.