



## Standard Test Method for Pullout Strength of Hardened Concrete<sup>1</sup>

This standard is issued under the fixed designation C 900; the number immediately following the designation indicates the year of original adoption or, in the case of revision, the year of last revision. A number in parentheses indicates the year of last reapproval. A superscript epsilon ( $\epsilon$ ) indicates an editorial change since the last revision or reapproval.

### 1. Scope

1.1 This test method covers determination of the pullout strength of hardened concrete by measuring the force required to pull an embedded metal insert and the attached concrete fragment from a concrete test specimen or structure. The insert is either cast into the fresh concrete or installed in hardened concrete.

1.2 The values stated in SI units are to be regarded as the standard. The values given in parentheses are for information purposes only.

1.3 The text of this test method references notes and footnotes which provide explanatory material. These notes and footnotes (excluding those in tables and figures) shall not be considered as requirements of this test method.

1.4 *This standard does not purport to address all of the safety concerns, if any, associated with its use. It is the responsibility of the user of this standard to establish appropriate safety and health practices and determine the applicability of regulatory limitations prior to use.*

### 2. Referenced Documents

#### 2.1 ASTM Standards:

C 39 Test Method for Compressive Strength of Cylindrical Concrete Specimens<sup>2</sup>

C 670 Practice for Preparing Precision and Bias Statements for Test Methods for Construction Materials<sup>2</sup>

E 4 Practices for Force Verification of Testing Machines<sup>2</sup>

### 3. Summary of Test Method

3.1 A metal insert is either cast into fresh concrete or installed into hardened concrete. When an estimate of the in-place strength is desired the insert is pulled by means of a jack reacting against a bearing ring. The pullout strength is determined by measuring the maximum force required to pull the insert from the concrete mass.

### 4. Significance and Use

4.1 For a given concrete and a given test apparatus, pullout

strengths can be related to compressive strength test results. Such strength relationships depend on the configuration of the embedded insert, bearing ring dimensions, depth of embedment, and level of strength development in that concrete. Prior to use, these relationships must be established for each system and each new combination of concreting materials. Such relationships tend to be less variable where both pullout test specimens and compressive strength test specimens are of similar size, compacted to similar density, and cured under similar conditions.

NOTE 1—Published reports (1-16)<sup>3</sup> by different researchers present their experiences in the use of pullout test equipment. Refer to ACI 228.1R (14) for guidance on establishing a strength relationship and interpreting test results. The Appendix provides a means for comparing pull-out strengths obtained using different configurations.

4.2 Pullout tests are used to determine whether the in-place strength of concrete has reached a specified level so that, for example:

- (1) post-tensioning may proceed;
- (2) forms and shores may be removed; or
- (3) winter protection and curing may be terminated.

In addition, post-installed pullout tests may be used to estimate the strength of concrete in existing constructions.

4.3 When planning pullout tests and analyzing test results, consideration should be given to the normally expected decrease of concrete strength with increasing height within a given concrete placement in a structural element. The measured pullout strength is indicative of the strength of concrete within the region represented by the conic frustum defined by the insert head and bearing ring. For typical surface installations, pullout strengths are indicative of the quality of the outer zone of concrete members and can be of benefit in evaluating the cover zone of reinforced concrete members.

4.4 Cast-in-place inserts require that their locations in the structure be planned in advance of concrete placement. Post-installed inserts can be placed at any desired location in the structure provided the requirements of 6.1 are satisfied.

4.5 This test method is not applicable to other types of post-installed tests that, if tested to failure, do not involve the same failure mechanism and do not produce the same conic frustum as the cast-in-place test. (16).

<sup>1</sup> This test method is under the jurisdiction of ASTM Committee C-9 on Concrete and Concrete Aggregates and is the direct responsibility of Subcommittee C09.64 on Nondestructive and In-Place Testing.

Current edition approved June 10, 1999. Published July 1999. Originally published as C 900 – 78 T. Last previous edition C 900 – 94.

<sup>2</sup> Annual Book of ASTM Standards, Vol 04.02.

<sup>3</sup> The boldface numbers refer to the list of references at the end of this test method.

5. Apparatus

5.1 The apparatus requires three basic sub-systems: a pull-out insert, a loading system, and a load-measuring system (Note 2). For post-installed inserts, additional equipment includes a core drill, a grinding wheel to prepare a flat bearing surface, a milling tool to undercut a groove to engage the insert, and an expansion tool to expand the insert into the groove.

NOTE 2—A center-pull hydraulic jack with a suitable pressure gage and bearing ring have been used satisfactorily.

5.1.1 Cast-in-place inserts shall be made of metal that does not react with cement. The insert shall consist of a cylindrical head and a shaft to fix embedment depth that is attached firmly to the center of the head (see Fig. 1). The insert shaft shall be threaded to the insert head so that it can be removed and replaced by a stronger shaft to pullout the insert, or it shall be an integral part of the insert and also function as the pullout shaft. Metal components of cast-in-place inserts and attachment hardware shall be of similar material to prevent galvanic corrosion. Post-installed inserts shall be designed so that they will fit into the drilled holes, and can be expanded subsequently to fit into the grooves that are undercut at a predetermined depth (see Fig. 2).

NOTE 3—A successful post-installed system uses a split ring that is coiled to fit into the core hole and then expanded into the groove.

5.1.2 The loading system shall consist of a bearing ring to be placed against the hardened concrete surface (see Figs. 1 and 2), and a loading apparatus with the necessary load-measuring devices that can be readily attached to the pullout shaft.

5.1.3 The test apparatus shall include centering features to ensure that the bearing ring is concentric with the insert, and that the applied load is axial to the pullout shaft, perpendicular to the bearing ring, and uniform on the bearing ring.

5.2 Equipment dimensions shall be determined as follows (see Figs. 1 and 2):

5.2.1 The diameter of the insert head ( $d_2$ ) is the basis for defining the test geometry. The thickness of the insert head and the yield strength of the metal shall be sufficient to avoid yielding of the insert during test. The sides of the insert head

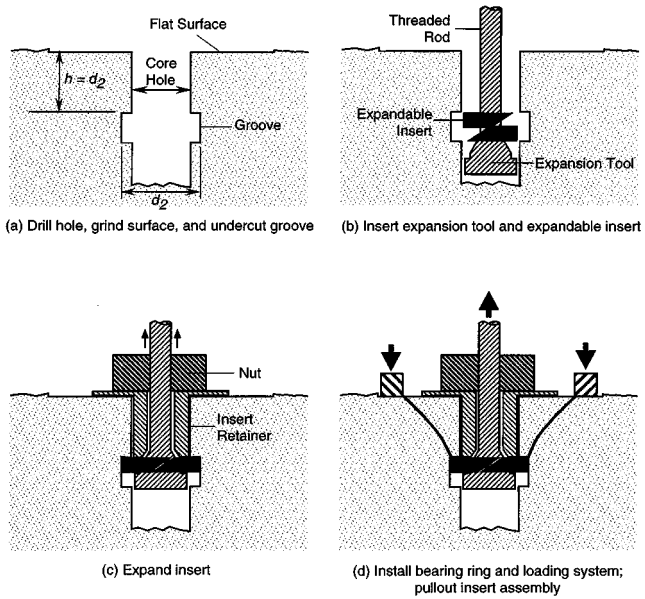


FIG. 2 Schematic of Procedure for Post-Installed Pullout Test

shall be smooth (see Note 5). The insert head diameter shall be greater than or equal to  $\frac{2}{3}$  of the nominal maximum size of aggregate.

NOTE 4—Typical insert diameters are 25 and 30 mm (1 and 1.2 in.), but larger diameters have been used (1, 3). Tests (15) have shown that nominal maximum aggregate sizes up to 1.5 times the head diameter do not have significant effects on the strength relationships. Larger aggregate sizes may result in increased scatter of the test results because the particles can restrict normal pullout of the conic frustum.

NOTE 5—Cast-in-place inserts may be coated with a release agent to minimize bonding with the concrete, and they may be tapered to minimize side friction during testing. The insert head should be provided with the means, such as a notch, to prevent rotation in the concrete if the insert shaft has to be removed prior to performing the test. As a further precaution against rotation of the insert head, all threaded hardware should be checked prior to installation to ensure that it is free-turning and can be easily removed. A thread-lock compound is recommended to prevent loosening of the insert head from the shaft during installation and during vibration of the surrounding concrete.

5.2.2 For cast-in-place inserts, the length of the pullout insert shaft shall be such that the distance from the insert head to the concrete surface ( $h$ ) equals the diameter of the insert head ( $d_2$ ). The diameter of the insert shaft at the head ( $d_1$ ) shall be no more than 0.60 times the head diameter.

5.2.3 For post-installed inserts, the groove to accept the expandable insert shall be cut so that the distance between the groove and concrete surface equals the insert diameter after expansion ( $d_2$ ). The difference between the diameters of the undercut groove and the core hole ( $d_1$ ) shall be sufficient to prevent localized failure and ensure that a conic frustum is extracted during the test (see Note 6). The expanded ring shall bear uniformly on the entire bearing area of the groove.

NOTE 6—A core hole diameter of 18 mm (0.71 in.) and an undercut groove diameter of 25 mm (1 in.) have been used successfully.

5.2.4 The bearing ring shall have an inside diameter ( $d_3$ ) of 2.0 to 2.4 times the insert head diameter, and shall have an outside diameter ( $d_4$ ) of at least 1.25 times the inside diameter.

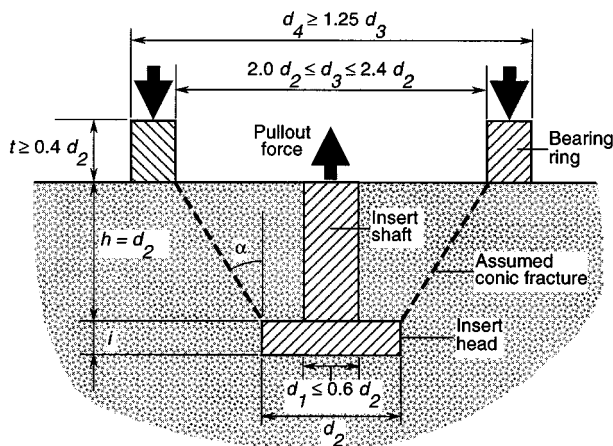


FIG. 1 Schematic Cross Section of Cast-in-Place Pullout Test

The thickness of the ring ( $t$ ) shall be at least 0.4 times the pullout insert head diameter.

5.2.5 Tolerances for dimensions of the pullout test inserts, bearing ring and embedment depth shall be  $\pm 2\%$  within a given system.

NOTE 7—The limits for dimensions and configurations for pullout test inserts and apparatus are intended to accommodate various systems.

5.2.6 The loading apparatus shall have sufficient capacity to provide the loading rate prescribed in 7.4 and exceed the maximum load expected.

NOTE 8—Hydraulic pumps that provide a constant loading rate may give more uniform test results than pumps that apply the load intermittently.

5.2.7 The gage to measure the pullout force shall have a least division not larger than 5% of the minimum value in the intended range of use.

NOTE 9—For the most accurate results, gages should have a maximum value indicator that preserves the value of the ultimate load when ultimate failure and subsequent stress release occur.

5.2.8 Pullout apparatus shall be calibrated at least once a year and after all repairs or adjustments. Calibration shall be by one of the methods in Practices E 4, or with a compression testing machine conforming to the requirements of Test Method C 39 using the calibration procedures described in the Annex to this test method.

## 6. Sampling

6.1 Pullout test locations shall be separated so that the clear spacing between inserts is at least eight times the pullout insert head diameter. Clear spacing between the inserts and the edges of the concrete shall be at least four times the head diameter. Inserts shall be placed so that reinforcement is outside the expected conical failure surface by more than one bar diameter, or the maximum size of aggregate, whichever is greater.

NOTE 10—A reinforcement locator is recommended to assist in avoiding reinforcement when preparing post-installed tests. Follow the manufacturer's instructions for proper operation of such devices.

6.2 When pullout test results are used to assess the in-place strength in order to allow the start of critical construction operations, such as formwork removal or application of post tensioning, at least five individual pullout tests shall be performed as follows:

6.2.1 For a given placement, every 115 m<sup>3</sup> (150 yd<sup>3</sup>), or a fraction thereof, or

6.2.2 For slabs or walls, every 470 m<sup>2</sup> (500 ft<sup>2</sup>), or a fraction thereof, of the surface area of one face.

Inserts shall be located in those portions of the structure that are critical in terms of exposure conditions and structural requirements.

6.3 When pullout tests are used for other purposes, the number of tests shall be determined by the specifier.

## 7. Procedure

### 7.1 Cast-in-Place Inserts:

7.1.1 Attach the pullout inserts to the forms using bolts or by other acceptable methods that firmly secure the insert in its proper location prior to concrete placement. All inserts for the

same tests shall be embedded to the same depth and each shaft shall be perpendicular to the formed surface.

NOTE 11—Inserts may be manually placed into unformed horizontal concrete surfaces. The inserts should be embedded into the fresh concrete by means that ensure a uniform embedment depth and a plane surface perpendicular to the axis of the insert shaft. Installation of inserts should be performed or supervised by experienced personnel. Experience indicates that pullout strengths are of lower value and more variable for manually-placed surface inserts than for inserts attached to the formwork.

7.1.2 When the concrete is to be tested, remove all hardware used for securing the pullout inserts in position. Before mounting the loading system, remove any debris or surface abnormalities to ensure a smooth bearing surface that is perpendicular to the axis of the insert.

### 7.2 Post-Installed Inserts:

7.2.1 The selected test surface shall be flat to provide a suitable working surface for drilling the core and undercutting the groove. Drill a core hole perpendicular to the surface to provide a reference point for subsequent operations and to accommodate the expandable insert and associated hardware. The use of an impact drill is not permitted.

7.2.2 If necessary, use a grinding wheel to prepare a flat surface so that the base of the milling tool is supported firmly during test preparation and so that the bearing ring is supported uniformly during testing. The ground surface shall be perpendicular to the axis of the core hole.

7.2.3 Use the milling tool to undercut a groove of the correct diameter at the correct depth in the core hole. The groove shall be concentric with the core hole.

NOTE 12—To control the accuracy of these operations, a support system should be used to hold the apparatus in the proper position during these steps.

7.2.4 If water is used as a coolant, remove free-standing water from the hole at the completion of the drilling and undercutting operations. Protect the hole from ingress of additional water until the completion of the test.

NOTE 13—Penetration of water into the failure zone could affect the measured pullout strength; therefore, water must be removed from the hole immediately after completion of drilling, grinding, and undercutting operations. If the test will not be completed immediately after preparation of the hole, water must not be allowed to enter the hole before completing the test.

7.2.5 Use the expansion tool to position the expandable insert into the groove and expand the insert to its proper size.

7.3 *Bearing Ring*—Place the bearing ring around the pullout insert shaft, connect the pullout shaft to the hydraulic ram, and tighten the pullout assembly snugly against the bearing surface, checking to see that the bearing ring is centered around the shaft and flush against the concrete.

7.4 *Loading Rate*—If the insert is to be tested to rupture of the concrete, load at a uniform rate, that will cause pullout rupture to occur in  $120 \pm 30$  s. Record the maximum gage reading to the nearest half of the least division on the dial. If the insert is to be tested only to a specified level for acceptance, load at a uniform rate that will reach the specified level in  $120 \pm 30$  s.

7.5 *Rejection*—Reject a test result if one or more of the following conditions are encountered: