



SLOVENSKI STANDARD

SIST EN 2998:2001

01-januar-2001

Aerospace series - Washers, flat, in heat resisting steel, passivated

Aerospace series - Washers, flat, in heat resisting steel, passivated

Luft- und Raumfahrt - Scheiben, flach, aus hochwarmfestem Stahl, passiviert

Série aérospatiale - Rondelles, plates, en acier résistant a chaud, passivées

Ta slovenski standard je istoveten z: EN 2998:1996

[SIST EN 2998:2001](https://standards.iteh.ai/catalog/standards/sist/1e9a7182-238f-4374-8113-92d52e51bf0f/sist-en-2998-2001)

<https://standards.iteh.ai/catalog/standards/sist/1e9a7182-238f-4374-8113-92d52e51bf0f/sist-en-2998-2001>

ICS:

49.030.50	Podložke in drugi blokirni elementi	Washers and other locking elements
-----------	-------------------------------------	------------------------------------

SIST EN 2998:2001

en

iTeh STANDARD PREVIEW
(standards.iteh.ai)

SIST EN 2998:2001

<https://standards.iteh.ai/catalog/standards/sist/1e9a7182-238f-4374-8113-92d52e51bf0f/sist-en-2998-2001>

EUROPEAN STANDARD

EN 2998

NORME EUROPÉENNE

EUROPÄISCHE NORM

March 1996

ICS 49.040.20

Descriptors: aircraft industry, washer, plain washer, heat resistant steel, dimension, designation

English version

Aerospace series - Washers, flat, in heat resisting steel, passivated

Série aérospatiale - Rondelles, plates, en acier résistant à chaud, passivées

Luft- und Raumfahrt - Scheiben, flach, aus hochwärmfestem Stahl, passiviert

STANDARD PREVIEW
(standards.iteh.ai)

SIST EN 2998:2001

<https://standards.iteh.ai/catalog/standards/sist/1e9a7182-238f-4374-8113-92d52e51bf07/sist-en-2998-2001>

This European Standard was approved by CEN on 1995-08-31. CEN members are bound to comply with the CEN/CENELEC Internal Regulations which stipulate the conditions for giving this European Standard the status of a national standard without any alteration.

Up-to-date lists and bibliographical references concerning such national standards may be obtained on application to the Central Secretariat or to any CEN member.

The European Standards exist in three official versions (English, French, German). A version in any other language made by translation under the responsibility of a CEN member into its own language and notified to the Central Secretariat has the same status as the official versions.

CEN members are the national standards bodies of Austria, Belgium, Denmark, Finland, France, Germany, Greece, Iceland, Ireland, Italy, Luxembourg, Netherlands, Norway, Portugal, Spain, Sweden, Switzerland and United Kingdom.

CEN

European Committee for Standardization
Comité Européen de Normalisation
Europäisches Komitee für Normung

Central Secretariat: rue de Stassart,36 B-1050 Brussels

1 Scope

This standard specifies the characteristics of flat washers, in heat resisting steel, passivated, for maximum operating temperature 650 °C, for aerospace applications.

2 Normative references

This European Standard incorporates by dated or undated reference provisions from other publications. These normative references are cited at the appropriate places in the text and the publications are listed hereafter. For dated references, subsequent amendments to or revisions of any of these publications apply to this European Standard only when incorporated in it by amendment or revision. For undated references the latest edition of the publication referred to applies.

- EN 2000 Aerospace series - Quality assurance - EN aerospace products - Approval of the quality system of manufacturers
- EN 2171 Heat resisting steel FE-PA92-HT - $R_m \geq 900$ MPa - Bars - Aerospace series ¹⁾
- EN 2175 Heat resisting steel FE-PA93-HT - Solution treated and precipitation treated - Sheets and strips $a \leq 3$ mm - Aerospace series ¹⁾
- EN 2424 Aerospace series - Marking of aerospace products
- EN 2516 Aerospace series - Passivation of corrosion resistant steels and decontamination of nickel base alloys ¹⁾

iTeh STANDARD PREVIEW
(standards.iteh.ai)

3 Required characteristics

3.1 Configuration - Dimensions - Masses

See figure 1 and table 1. Dimensions and tolerances are expressed in millimetres and apply after surface treatment.

3.2 Materials

EN 2171 or EN 2175

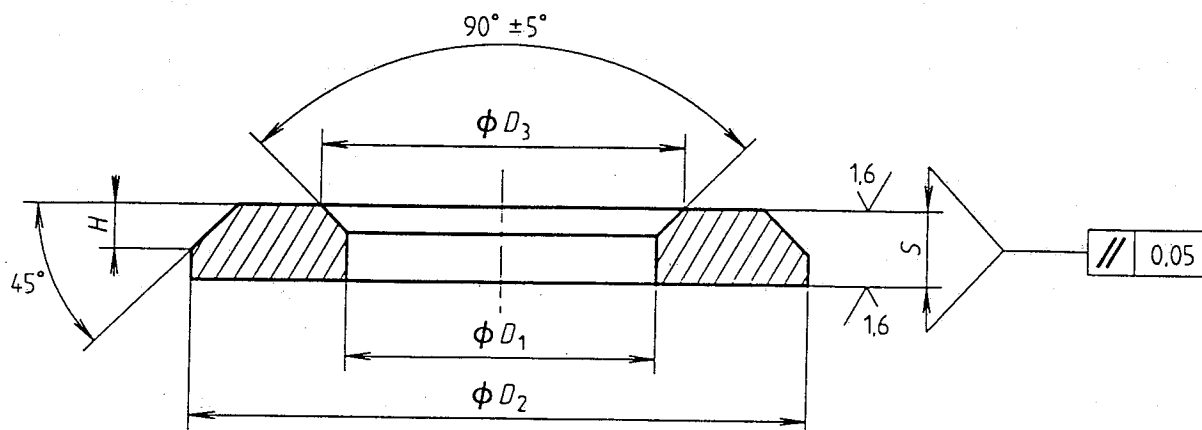
3.3 Surface treatment

EN 2516

1) Published as AECMA Standard at the date of publication of this standard

$\sqrt{6,3}$ [$\sqrt{1,6}$] Values in micrometres apply prior to surface treatment.

Remove sharp edges 0,1 to 0,2



iTeh STANDARD PREVIEW
(standards.iteh.ai)

Figure 1

SIST EN 2998:2001

<https://standards.iteh.ai/catalog/standards/sist/1e9a7182-238f-4374-8113-92d52e57e902/sist-en-2998-2001>

Table 1

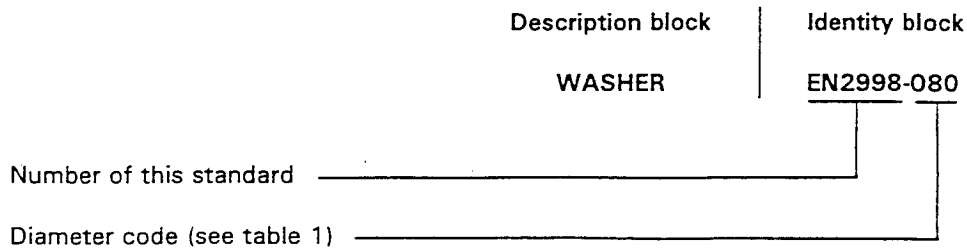
Diameter code	D_1 H13	nom.	D_2 Tol.	D_3 H13	H $\pm 0,1$	S ¹⁾ $\pm 0,1$	Mass ²⁾
050	5,2	10,5	$\pm 0,3$	6,2	0,5	1,5	0,72
060	6,2	12		7,6			1,12
070	7,2	14,5		8,6	1	2	1,85
080	8,2	16		9,6			2,07
100	10,2	20,3	$\pm 0,4$	12	1,5	2,5	3,48
120	12,2	23,9		14,4			5,63
140	14,2	26,9	$\pm 0,5$	16,4			2
160	16,2	31,4		19,2	11,30		
180	18,2	34,4		21,2	13,48		
200	20,3	37,4		23,2	15,80		

1) Includes also the flatness tolerance.

2) Approximate values (kg/1 000 pieces), calculated on the basis of 7,85 kg/dm³, given for information purposes only

4 Designation

EXAMPLE :



NOTE : If necessary, the code I9005 shall be placed between the description block and the identity block.

5 Marking

EN 2424, style G

6 Quality assurance

EN 2000

iTeh STANDARD PREVIEW
(standards.iteh.ai)

SIST EN 2998:2001

<https://standards.iteh.ai/catalog/standards/sist/1e9a7182-238f-4374-8113-92d52e51bf0f/sist-en-2998-2001>