



SLOVENSKI STANDARD SIST EN 3268:2004

01-maj-2004

Aerospace series - Pipe coupling 8°30' in titanium alloy - Pressure plugs

Aerospace series - Pipe coupling 8°30' in titanium alloy - Pressure plugs

Luft- und Raumfahrt - Rohrverschraubung 8°30' aus Titanlegierung - Blindverschraubungen

Série aérospatiale - Systeme de raccordement 8°30' en alliage de titane - Obturateurs de tuyauterie

STANDARD PREVIEW
(standards.iteh.ai)

Ta slovenski standard je istoveten z: **EN 3268:2001**
<https://standards.iteh.ai/catalog/standards/sist/cb18083-71e0-4b12-90e5-66b5cc9a3898/sist-en-3268-2004>

ICS:

49.080 Štepanj [b]ã Aerospace fluid systems and components

SIST EN 3268:2004 en

iTeh STANDARD PREVIEW
(standards.iteh.ai)

SIST EN 3268:2004

<https://standards.iteh.ai/catalog/standards/sist/cfb18083-71e0-4b12-90e5-66b5cc9a3898/sist-en-3268-2004>

EUROPEAN STANDARD
NORME EUROPÉENNE
EUROPÄISCHE NORM

EN 3268

October 2001

ICS 49.080

English version

Aerospace series - Pipe coupling 8°30' in titanium alloy - Pressure plug

Série aérospatiale - Système de raccordement 8°30' en
alliage de titane - Obturateur de tuyauterie

Luft- und Raumfahrt - Rohrverschraubung 8°30' aus
Titanlegierung - Blindverschraubung

This European Standard was approved by CEN on 6 January 2001.

CEN members are bound to comply with the CEN/CENELEC Internal Regulations which stipulate the conditions for giving this European Standard the status of a national standard without any alteration. Up-to-date lists and bibliographical references concerning such national standards may be obtained on application to the Management Centre or to any CEN member.

This European Standard exists in three official versions (English, French, German). A version in any other language made by translation under the responsibility of a CEN member into its own language and notified to the Management Centre has the same status as the official versions.

CEN members are the national standards bodies of Austria, Belgium, Czech Republic, Denmark, Finland, France, Germany, Greece, Iceland, Ireland, Italy, Luxembourg, Netherlands, Norway, Portugal, Spain, Sweden, Switzerland and United Kingdom.

[SIST EN 3268:2004](https://standards.iteh.ai/catalog/standards/sist/cfb18083-71e0-4b12-90e5-66b5cc9a3898/sist-en-3268-2004)

<https://standards.iteh.ai/catalog/standards/sist/cfb18083-71e0-4b12-90e5-66b5cc9a3898/sist-en-3268-2004>



EUROPEAN COMMITTEE FOR STANDARDIZATION
COMITÉ EUROPÉEN DE NORMALISATION
EUROPÄISCHES KOMITEE FÜR NORMUNG

Management Centre: rue de Stassart, 36 B-1050 Brussels

Foreword

This European Standard has been prepared by the European Association of Aerospace Manufacturers (AECMA).

After inquiries and votes carried out in accordance with the rules of this Association, this Standard has received the approval of the National Associations and the Official Services of the member countries of AECMA, prior to its presentation to CEN.

This European Standard shall be given the status of a national standard, either by publication of an identical text or by endorsement, at the latest by April 2002, and conflicting national standards shall be withdrawn at the latest by April 2002.

According to the CEN/CENELEC Internal Regulations, the national standards organizations of the following countries are bound to implement this European Standard: Austria, Belgium, Czech Republic, Denmark, Finland, France, Germany, Greece, Iceland, Ireland, Italy, Luxembourg, Netherlands, Norway, Portugal, Spain, Sweden, Switzerland and the United Kingdom.

1 Scope

This standard specifies the characteristics of pressure plugs for pipe couplings 8°30', in titanium alloy, for aerospace applications.

2 Normative references

This European Standard incorporates, by dated or undated reference provisions from other publications. These normative references are cited at the appropriate places in the text and the publications are listed hereafter. For dated references, subsequent amendments to or revisions of any of these publications apply to this European Standard only when incorporated in it by amendment or revision. For undated references, the latest edition of the publication referred to applies (including amendments).

ISO 5855-3	Aerospace – MJ threads – Part 3: Limit dimensions for fittings for fluid systems
EN 2424	Aerospace series – Marking of aerospace products
EN 2491	Aerospace series – Molybdenum disulphide dry lubricants – Coating methods
EN 3274	Aerospace series – Pipe coupling 8°30' – Thread end– Geometric configuration
EN 3275	Aerospace series – Pipe coupling 8°30' up to 28 000 kPa – Dynamic beam seal – Metric series – Technical specification
EN 3311	Aerospace series – Titanium alloy TI-P64001 – Annealed – Bar for machining – $D \leq 150$ mm ¹⁾
EN 3314	Aerospace series – Titanium alloy TI-P64001 – Solution treated and aged – Bar for machining – $D \leq 75$ mm ¹⁾

[SIST EN 3268:2004](https://standards.iteh.ai/catalog/standards/sist/cfb18083-71e0-4b12-90e5-66b5cc9a3898/sist-en-3268-2004)

<https://standards.iteh.ai/catalog/standards/sist/cfb18083-71e0-4b12-90e5-66b5cc9a3898/sist-en-3268-2004>

1) Published as AECMA Prestandard at the date of publication of this standard

3 Required characteristics

3.1 Configuration – Dimensions – Mass

According to figure 1 and table 1. Dimensions apply before lubricating.

3.2 Surface roughness

According to figure 1

3.3 Material

According to EN 3311 or EN 3314

3.4 Surface treatment

Lubrication: according to EN 2491, on thread and sealing face

Prior to application of the lubricant the surface shall be abrasive blasted using non-metallic grit.

Film thickness: 0,005 mm to 0,013 mm

Dimensions in millimetres

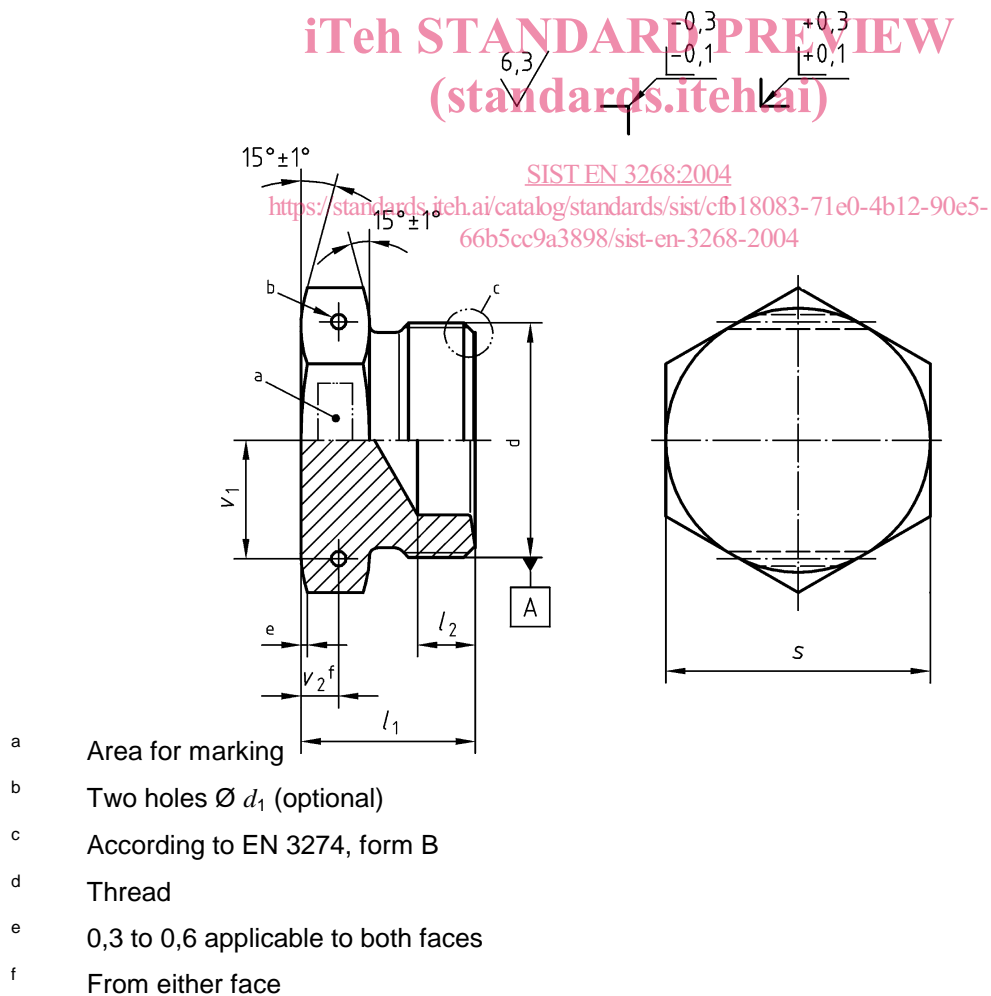


Figure 1

Table 1

Dimensions in millimetres

Code ^a	Thread ^b	d_1	l_1	l_2	s	v_1	v_2	Mass g/piece
		H13	± 0,2	± 0,4	h13	± 0,2	min.	max.
05	MJ10×1	1	11,3	5,6	11	4,21	2,1	1,96
06	MJ12×1,25	1,5	13,5	7,1	13	4,94	2,6	3,04
08	MJ14×1,5		15,8	8,4	16	6,54	3,1	5,92
10	MJ16×1,5		16,3	7,8	17	6,90	3,6	6,80
12	MJ18×1,5		16,8	7,3	19	7,97	3,85	10,15
14	MJ20×1,5		17,3	7,0	22	9,68		13,57
16	MJ22×1,5		17,8	6,5	24	10,51		17,75
18	MJ24×1,5			5,9	27	12,11		23,00
20	MJ27×1,5		18,2	5,1	30	13,77	31,01	
22	MJ30×1,5		18,3	4,3	32	14,76	37,70	
25	MJ33×1,5			3,9	34	15,66	43,35	
28	MJ36×1,5		18,8	2,9	41	19,56	4,6	66,70
32	MJ39×1,5			2,1				71,81

^a Corresponds to the pipe nominal outside diameter
^b According to ISO 5855-3

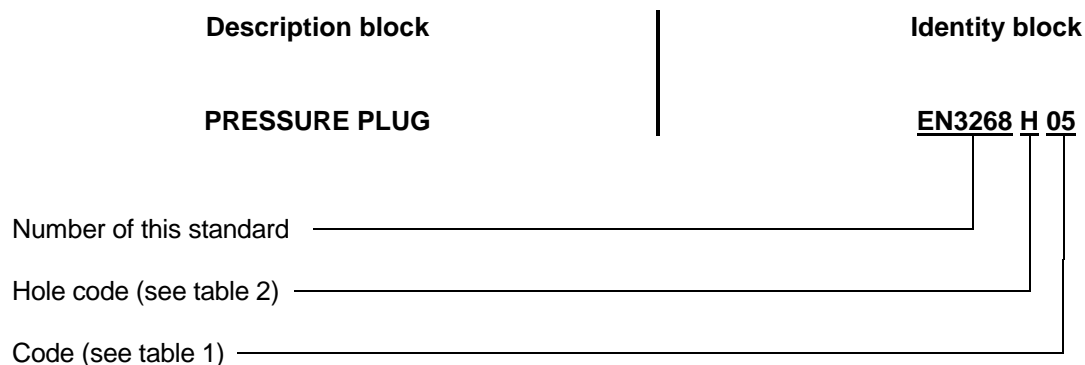
STANDARD PREVIEW
(standards.iteh.ai)

4 Designation

SIST EN 3268:2004

<https://standards.iteh.ai/catalog/standards/sist/cfb18083-71e0-4b12-90e5-66b5cc9a3898/sist-en-3268-2004>

EXAMPLE:



NOTE: If necessary, the code I9005 shall be placed between the description block and the identity block.

Table 2

Option	Code
Lockwire hole	H
No hole	– (hyphen)

EN 3268:2001 (E)

5 Marking

According to EN 2424, style A and figure 1

6 Technical specification

According to EN 3275

iTeh STANDARD PREVIEW
(standards.iteh.ai)

[SIST EN 3268:2004](#)

<https://standards.iteh.ai/catalog/standards/sist/cfb18083-71e0-4b12-90e5-66b5cc9a3898/sist-en-3268-2004>