

TECHNICAL REPORT

RAPPORT TECHNIQUE

Plugs and socket-outlets for domestic and similar general use standardized in member countries of IEC

Prises de courant pour usages domestiques et analogues normalisées par les pays membres de la CEI

IEC/TR 60083:2009

<https://standards.iteh.ai/standards/iec/60083/23ad-00c0-4523-96fa-bb566ada4a69/iec-tr-60083-2009>



THIS PUBLICATION IS COPYRIGHT PROTECTED

Copyright © 2009 IEC, Geneva, Switzerland

All rights reserved. Unless otherwise specified, no part of this publication may be reproduced or utilized in any form or by any means, electronic or mechanical, including photocopying and microfilm, without permission in writing from either IEC or IEC's member National Committee in the country of the requester.

If you have any questions about IEC copyright or have an enquiry about obtaining additional rights to this publication, please contact the address below or your local IEC member National Committee for further information.

Droits de reproduction réservés. Sauf indication contraire, aucune partie de cette publication ne peut être reproduite ni utilisée sous quelque forme que ce soit et par aucun procédé, électronique ou mécanique, y compris la photocopie et les microfilms, sans l'accord écrit de la CEI ou du Comité national de la CEI du pays du demandeur.

Si vous avez des questions sur le copyright de la CEI ou si vous désirez obtenir des droits supplémentaires sur cette publication, utilisez les coordonnées ci-après ou contactez le Comité national de la CEI de votre pays de résidence.

IEC Central Office
3, rue de Varembe
CH-1211 Geneva 20
Switzerland
Email: inmail@iec.ch
Web: www.iec.ch

About the IEC

The International Electrotechnical Commission (IEC) is the leading global organization that prepares and publishes International Standards for all electrical, electronic and related technologies.

About IEC publications

The technical content of IEC publications is kept under constant review by the IEC. Please make sure that you have the latest edition, a corrigenda or an amendment might have been published.

- Catalogue of IEC publications: www.iec.ch/searchpub

The IEC on-line Catalogue enables you to search by a variety of criteria (reference number, text, technical committee,...). It also gives information on projects, withdrawn and replaced publications.

- IEC Just Published: www.iec.ch/online_news/justpub

Stay up to date on all new IEC publications. Just Published details twice a month all new publications released. Available on-line and also by email.

- Electropedia: www.electropedia.org

The world's leading online dictionary of electronic and electrical terms containing more than 20 000 terms and definitions in English and French, with equivalent terms in additional languages. Also known as the International Electrotechnical Vocabulary online.

- Customer Service Centre: www.iec.ch/webstore/custserv

If you wish to give us your feedback on this publication or need further assistance, please visit the Customer Service Centre FAQ or contact us:

Email: csc@iec.ch

Tel.: +41 22 919 02 11

Fax: +41 22 919 03 00

A propos de la CEI

La Commission Electrotechnique internationale (CEI) est la première organisation mondiale qui élabore et publie des normes internationales pour tout ce qui a trait à l'électricité, à l'électronique et aux technologies apparentées.

A propos des publications CEI

Le contenu technique des publications de la CEI est constamment revu. Veuillez vous assurer que vous possédez l'édition la plus récente, un corrigendum ou amendement peut avoir été publié.

- Catalogue des publications de la CEI: www.iec.ch/searchpub/cur_fut-f.htm

Le Catalogue en-ligne de la CEI vous permet d'effectuer des recherches en utilisant différents critères (numéro de référence, texte, comité d'études,...). Il donne aussi des informations sur les projets et les publications retirées ou remplacées.

- Just Published CEI: www.iec.ch/online_news/justpub

Restez informé sur les nouvelles publications de la CEI. Just Published détaille deux fois par mois les nouvelles publications parues. Disponible en-ligne et aussi par email.

- Electropedia: www.electropedia.org

Le premier dictionnaire en ligne au monde de termes électroniques et électriques. Il contient plus de 20 000 termes et définitions en anglais et en français, ainsi que les termes équivalents dans les langues additionnelles. Egalement appelé Vocabulaire Electrotechnique International en ligne.

- Service Clients: www.iec.ch/webstore/custserv/custserv_entry-f.htm

Si vous désirez nous donner des commentaires sur cette publication ou si vous avez des questions, visitez le FAQ du Service clients ou contactez-nous:

Email: csc@iec.ch

Tél.: +41 22 919 02 11

Fax: +41 22 919 03 00

TECHNICAL REPORT

RAPPORT TECHNIQUE

Plugs and socket-outlets for domestic and similar general use standardized in member countries of IEC

Prises de courant pour usages domestiques et analogues normalisées par les pays membres de la CEI

<https://standards.iteh.ai/standards/iec/60083/23ad-00c0-4523-96fa-bb566ada4a69/iec-tr-60083-2009>

INTERNATIONAL
ELECTROTECHNICAL
COMMISSION

COMMISSION
ELECTROTECHNIQUE
INTERNATIONALE

PRICE CODE
CODE PRIX

XH

CONTENTS

| | |
|------------------------------------------------|---------|
| Foreword..... | 4 |
| Introduction..... | 6 |
| National systems used in | section |
| Argentina (information not available) | |
| Australia..... | AU |
| Austria..... | AT |
| Belarus (information not available) | |
| Belgium..... | BE |
| Bulgaria (information not available) | |
| Brazil | BR |
| Canada..... | CA |
| China..... | CN |
| Croatia (information not available) | |
| Czech Republic..... | CZ |
| Denmark..... | DK |
| Egypt (information not available) | |
| Finland..... | FI |
| France..... | FR |
| Germany..... | DE |
| Greece (information not available) | |
| Hungary (information not available) | |
| India..... | IN |
| Indonesia (information not available) | |
| Iran (information not available) | |
| Ireland (information not available) | |
| Israel (information not available) | |
| Italy..... | IT |
| Japan..... | JP |
| Korea (Republic of) | KR |
| Luxembourg (information not available) | |
| Malaysia..... | MY |
| Mexico..... | MX |
| Netherlands..... | NL |
| New Zealand..... | NZ |
| Norway..... | NO |
| Pakistan (information not available) | |
| Poland..... | PO |
| Portugal..... | PT |
| Romania (information not available) | |
| Russian Federation (information not available) | |
| Saudi Arabia | SA |
| Serbia and Montenegro | CS |
| Singapore..... | SG |
| Slovakia..... | SK |
| Slovenia (information not available) | |
| South Africa | ZA |



<https://standards.iteh.ai/>
<https://standards.iteh.ai/standards/iec/60083/23ad-00c0-4523-96fa-bb566ada4a69/iec-tr-60083-2009>

| | |
|--------------------------------------|----|
| Spain..... | ES |
| Sweden..... | SE |
| Switzerland..... | CH |
| Thailand (information not available) | |
| Turkey (information not available) | |
| Ukraine (information not available) | |
| United Kingdom..... | GB |
| United States of America..... | US |

Withdrawing

iTech Standards
(<https://standards.iteh.ai>)
Document Preview

INTERNATIONAL ELECTROTECHNICAL COMMISSION

PLUGS AND SOCKET-OUTLETS FOR DOMESTIC AND SIMILAR GENERAL USE STANDARDIZED IN MEMBER COUNTRIES OF IEC

FOREWORD

- 1) The International Electrotechnical Commission (IEC) is a worldwide organization for standardization comprising all national electrotechnical committees (IEC National Committees). The object of IEC is to promote international co-operation on all questions concerning standardization in the electrical and electronic fields. To this end and in addition to other activities, IEC publishes International Standards, Technical Specifications, Technical Reports, and Guides (hereafter referred to as "IEC Publication(s)"). Their preparation is entrusted to technical committees; any IEC National Committee interested in the subject dealt with may participate in this preparatory work. International, governmental and non-governmental organizations liaising with the IEC also participate in this preparation. IEC collaborates closely with the International Organization for Standardization (ISO) in accordance with conditions determined by agreement between the two organizations.
- 2) The formal decisions or agreements of IEC on technical matters express, as nearly as possible, an international consensus of opinion on the relevant subjects since each technical committee has representation from all interested IEC National Committees.
- 3) IEC Publications have the form of recommendations for international use and are accepted by IEC National Committees in that sense. While all reasonable efforts are made to ensure that the technical content of IEC Publications is accurate, IEC cannot be held responsible for the way in which they are used or for any misinterpretation by any end user.
- 4) In order to promote international uniformity, IEC National Committees undertake to apply IEC Publications transparently to the maximum extent possible in their national and regional publications. Any divergence between any IEC Publication and the corresponding national or regional publication shall be clearly indicated in the latter.
- 5) IEC provides no marking procedure to indicate its approval and cannot be rendered responsible for any equipment declared to be in conformity with an IEC Publication.
- 6) All users should ensure that they have the latest edition of this publication.
- 7) No liability shall attach to IEC or its directors, employees, servants or agents including individual experts and members of its technical committees and IEC National Committees for any personal injury, property damage or other damage of any nature whatsoever, whether direct or indirect, or for costs (including legal fees) and expenses arising out of the publication, use of, or reliance upon, this IEC Publication or any other IEC Publications.
- 8) Attention is drawn to the Normative references cited in this publication. Use of the referenced publications is indispensable for the correct application of this publication.
- 9) Attention is drawn to the possibility that some of the elements of this IEC Publication may be the subject of patent rights. IEC shall not be held responsible for identifying any or all such patent rights.

The main task of IEC technical committees is to prepare International Standards. However, a technical committee may propose the publication of a technical report when it has collected data of a different kind from that which is normally published as an International Standard, for example "state of the art".

IEC 60083, which is a technical report, has been prepared by subcommittee 23B: Plugs, socket-outlets and switches, of IEC technical committee 23: Electrical accessories.

The sixth edition cancels and replaces the fifth edition published in 2006 and constitutes a technical revision. It includes some replacements of the sheets concerning the following countries: BR, CN, CZ, DK, JP, NO, PT and ES. New sheets for IN and ZA have been added to those of the previous edition.

The text of this technical report is based on the following documents:

| | |
|---------------|------------------|
| Enquiry draft | Report on voting |
| 23B/893/DTR | 23B/913/RVC |

Full information on the voting for the approval of this technical report can be found in the report on voting indicated in the above table.

This publication has been drafted in accordance with the ISO/IEC Directives, Part 2.

The committee has decided that the contents of this publication will remain unchanged until the maintenance result date¹⁾ indicated on the IEC web site under "<http://webstore.iec.ch>" in the data related to the specific publication. At this date, the publication will be

- reconfirmed;
- withdrawn;
- replaced by a revised edition, or
- amended.

INTRODUCTION

This technical report shows the great variety of systems in use today. In order to reduce this variety in future, even though such a change may take many years, it is advised that the recommendations in IEC 60906-1 and IEC 60906-2 be followed:

"that any country in need of a new or a replacement system adopt this standard as its future National Standard".

The content of this report is based on the information submitted by the National Committees of IEC which are responsible for the accuracy of the information given. Any revision caused by amendments and additions as a consequence of further development of their National System(s) or introduction of a different system should be notified to the IEC Central Office.

For additional contributions or revisions of already submitted information, reference is made to Annex A which contains the instructions for submitting material to this technical report. National Committees are asked to follow the instructions precisely in order to obtain a uniform presentation in this report.

The IEC Central Office will maintain a register of the revised information received from National Committees.

This sixth edition includes the following modifications to the previous edition:

| | |
|----------------|-----------------------------------------|
| Brazil | replacement of all sheets |
| China | replacement of all sheets |
| Czech Republic | replacement of ÉSN by CSN in all sheets |
| India | new sheets (1 to 2) |
| Japan | replacement of all sheets |
| Norway | replacement of all sheets |
| Portugal | replacement of all sheets |
| South Africa | new sheets (1 to 5) |
| Spain | replacement of all sheets |

PLUGS AND SOCKET-OUTLETS FOR DOMESTIC AND SIMILAR GENERAL USE STANDARDIZED IN MEMBER COUNTRIES OF IEC

1 Scope and object

The object of this technical report is to give general information about the systems of plugs and socket-outlets for household and similar purposes which are used in the IEC countries. The report only contains National Systems which are commonly used in homes and offices. It is therefore limited to systems for a.c. with a rated voltage above 50 V but not exceeding 440 V, intended for household and similar purposes, either indoors or outdoors.

The report only contains systems for which standard sheets have been published in a National Standard, which may be a National Standard of the country itself or any other IEC member country.

2 List of plugs and socket-outlets which are used in IEC member countries

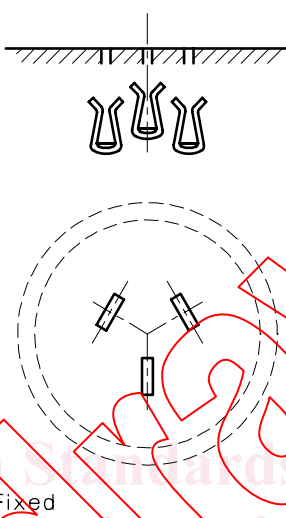
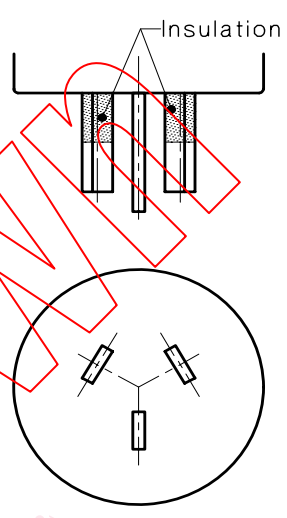
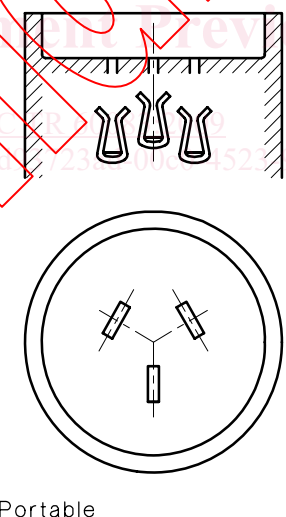
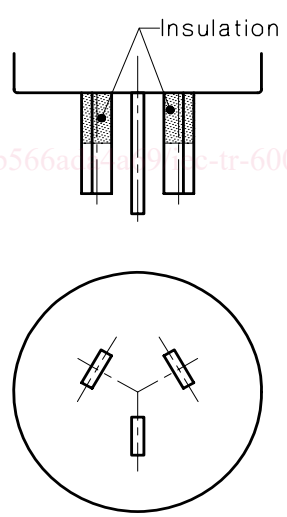
The following sheets give the national systems used in IEC member countries.

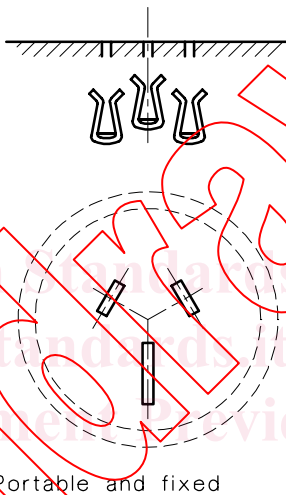
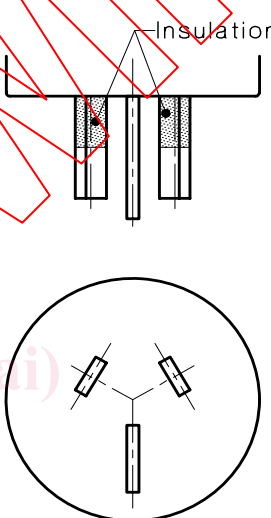
iTech Standards
(<https://standards.iteh.ai>)
Document Preview

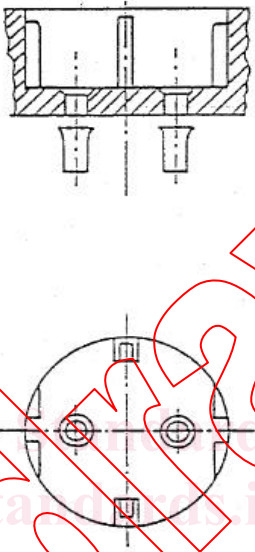
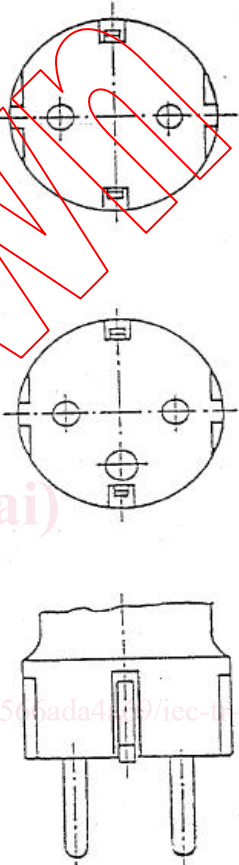
[IEC TR 60083:2009](https://standards.iteh.ai/standards/iec/60083/23ad-00c0-4523-96fa-bb566ada4a69/iec-tr-60083-2009)

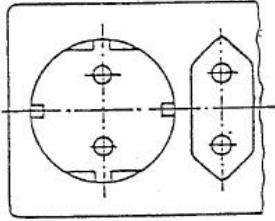
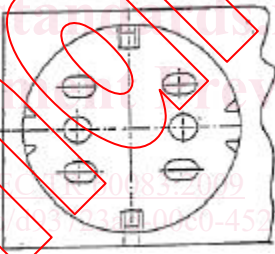
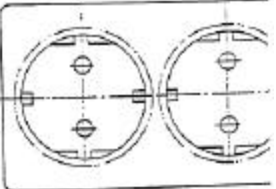
<https://standards.iteh.ai/standards/iec/60083/23ad-00c0-4523-96fa-bb566ada4a69/iec-tr-60083-2009>

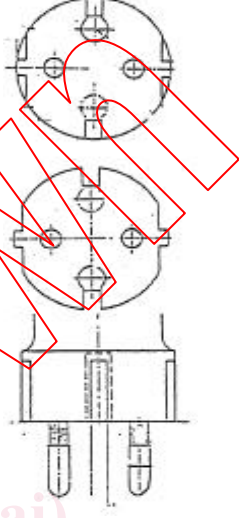
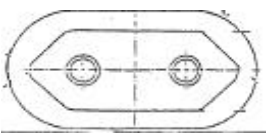
WITHDRAWN

| IEC 60083 | National system used in AUSTRALIA | | AU 1 of AU 2 | |
|------------------------------------------------------------------------------------------------------------------------------------------------------------------------------------------------------------------------------------------------------------------------------------------------------------------------------------|-----------------------------------|-----------|-------------------------------------------------------------------------------------|---------------------------------------------------------------------------------------|
| | | | Date: 2006-01-25 | |
| Number of poles | Rated values of accessories | | Sketch designations | |
| | Voltage V | Current A | Socket-outlets | Plugs |
| 2P+⊕ | 250 | 10 |  |  |
| 2P+⊕ | 250 | 10 |  |  |
| <p>Portable socket-outlets for cords are specified in AS/NZS 3120. AS/NZS 3112 provides for a two pin 10A plug which has the same shape as the three pin 10A plug but no earth pin. A 10A plug is compatible with a 15A socket-outlet. A 15A plug is prevented from entering a 10A socket-outlet by the size of the earth pin.</p> | | | | |
| <p>For reference and further information, see AU2</p> | | | | |

| IEC 60083 | National system used in AUSTRALIA | | AU 2 of AU 2 | |
|-----------------------------------------------|----------------------------------------------------------------------------|--------------|----------------------------------------------------------------------------------------------------------------------|--------------------------------------------------------------------------------------------------------|
| | | | Date: 2006-01-25 | |
| Number of poles | Rated values of accessories | | Sketch designations | |
| | Voltage V | Current A | Socket-outlets | Plugs |
| 2P+⊕ | 250 | 15 |  <p>Portable and fixed</p> |  <p>Insulation</p> |
| Reference of National Standard or Regulation: | | | AS/NZS 3112 | |
| Further information obtainable from: | Standards Australia Limited GPO Box 476 Sydney NSW 2001 Australia | | Telephone: +61 2 8206 6000 Fax: +61 2 8206 6001 E-mail: mail@standards.org.au Website: www.standards.org.au | |
| Distribution and subscription from: | SAI Global Limited GPO Box 5420 Sydney NSW 2001 Australia | | Telephone: +61 2 8206 6010 Fax: +61 2 8206 6020 E-mail: sales@sai-global.com Website: www.sai-global.com | |

| IEC 60083 | National system used in AUSTRIA | | AT1 of AT 5 Date: 2005-12-13 | |
|---------------------------------------------------------|------------------------------------|------------------|-------------------------------------------------------------------------------------------------------------------------------------------------------------------------------------------------------------------------------------------------------------------------------|----------------------------------------------------------------------------------------------------------|
| Number of poles | Rated values of accessories | | Sketch designation | |
| | Voltage V | Current A | Socket-outlets | Plugs |
| 2P + T | 250 | 10/16 or 16 ~ |  <p>ÖNORM E 6622 part 1 Type A ÖNORM E 6622 part 2 Type B ÖNORM E 6622 part 4</p> <p>ÖNORM E 6622 part 9 (shutter) ÖNORM E 6622 part 10 (for incorporating)</p> |  <p>ÖNORM E 6623</p> |
| 2P + T | 250 | 10/16 or 16 ~ | <p>ÖNORM E 6622 part 8 Splashproof portable</p> | <p>ÖNORM E 6622 part 7 (splashproof, portable)</p> |
| <p>For reference and further information, see AT 5.</p> | | | | |

| IEC 60083 | National system used in AUSTRIA | | AT2 of AT 5 Date: 2005-12-13 | |
|--------------------------------------------------|------------------------------------|------------------------|----------------------------------------------------------------------------------------------------------------------------------------------|-------|
| Number of poles | Rated values of accessories | | Sketch designation | |
| | Voltage V | Current A | Socket-outlets | Plugs |
| 2P + T | 250 | 2,5 + 10/16 or 16 ~ |  <p data-bbox="683 842 959 875">ÖNORM E 6623 part 3</p> | |
| | | 2,5 + 10/16 or 16 ~ |  <p data-bbox="683 1357 959 1391">ÖNORM E 6623 part 3</p> | |
| | 250 | 10/16 or 16 ~ |  <p data-bbox="683 1648 959 1682">ÖNORM E 6623 part 3</p> | |
| Portable socket-outlet | | | | |
| For reference and further information, see AT 5. | | | | |

| IEC 60083 | National system used in AUSTRIA | | AT3 of AT 5 Date: 2005-12-13 | |
|--------------------------------------------------|------------------------------------|------------------|------------------------------------------------------------------------------------------------------------------------------------------------------------|----------------------------------------------------------------------------------------------------------|
| Number of poles | Rated values of accessories | | Sketch designation | |
| | Voltage V | Current A | Socket-outlets | Plugs |
| 2P | 250 | 10/16 or 16 ~ | |  <p>ÖNORM E 6624</p> |
| 2P | 250 | 10/16 or 16 ~ | | <p>ÖNORM E 6622 part 6 (splashproof, portable)</p> |
| 2P | 250 | 2,5 |  <p>ÖNORM E 6622-11 (portable) ÖNORM E 6622-5 (adaptor)</p> | |
| | | | | |
| For reference and further information, see AT 5. | | | | |