



SLOVENSKI STANDARD
SIST EN 2645:2006
01-september-2006

5 YfcbUj H_UË`NU_`Ydb]`cVfc _]`nUUXUdhYf`Yžn`bUj c`Ya žn`nU_`Ydb]a `cVfc _ca `Ë
A YfY

Aerospace series - Lockrings for adaptors, threaded, with lockring - Dimensions

Luft- und Raumfahrt - Sicherungsringe für gerade Einschraubverschraubungen mit
Sicherungsring - Maße

Série aérospatiale - Bagues de sécurité pour raccords droits, filetés, avec bague de
sécurité - Dimensions

ITeH STANDARD PREVIEW
(standards.iteh.ai)

Ta slovenski standard je istoveten z: **EN 2645:2005**
<https://standards.iteh.ai/catalog/standards/sist/2645-2006/68-c2de-4caa-943d-a94e2d740608/sist-en-2645-2006>

ICS:

49.030.99

SIST EN 2645:2006

en

iTeh STANDARD PREVIEW
(standards.iteh.ai)

SIST EN 2645:2006

<https://standards.iteh.ai/catalog/standards/sist/2d6bb9d8-c2de-4eaa-943d-a94e2d740608/sist-en-2645-2006>

ICS 49.030.99

English Version

Aerospace series - Lockrings for adaptors, threaded, with
lockring - Dimensions

Série aérospatiale - Raccords droits métriques avec bague
de sécurité - Bague de sécurité - Dimensions

Luft- und Raumfahrt - Sicherungsringe für gerade
Einschraubverschraubungen mit Sicherungsring - Maße

This European Standard was approved by CEN on 28 October 2005.

CEN members are bound to comply with the CEN/CENELEC Internal Regulations which stipulate the conditions for giving this European Standard the status of a national standard without any alteration. Up-to-date lists and bibliographical references concerning such national standards may be obtained on application to the Central Secretariat or to any CEN member.

This European Standard exists in three official versions (English, French, German). A version in any other language made by translation under the responsibility of a CEN member into its own language and notified to the Central Secretariat has the same status as the official versions.

CEN members are the national standards bodies of Austria, Belgium, Cyprus, Czech Republic, Denmark, Estonia, Finland, France, Germany, Greece, Hungary, Iceland, Ireland, Italy, Latvia, Lithuania, Luxembourg, Malta, Netherlands, Norway, Poland, Portugal, Slovakia, Slovenia, Spain, Sweden, Switzerland and United Kingdom.

[SIST EN 2645:2006](https://standards.iteh.ai/catalog/standards/sist/2d6bb9d8-c2de-4eaa-943d-a94e2d740608/sist-en-2645-2006)

<https://standards.iteh.ai/catalog/standards/sist/2d6bb9d8-c2de-4eaa-943d-a94e2d740608/sist-en-2645-2006>



EUROPEAN COMMITTEE FOR STANDARDIZATION
COMITÉ EUROPÉEN DE NORMALISATION
EUROPÄISCHES KOMITEE FÜR NORMUNG

Management Centre: rue de Stassart, 36 B-1050 Brussels

Contents		Page
Foreword		3
1	Scope	4
2	Required characteristics	4
3	Designation	5

iTeh STANDARD PREVIEW
(standards.iteh.ai)

SIST EN 2645:2006

<https://standards.iteh.ai/catalog/standards/sist/2d6bb9d8-c2de-4eaa-943d-a94e2d740608/sist-en-2645-2006>

Foreword

This European Standard (EN 2645:2005) has been prepared by the European Association of Aerospace Manufacturers - Standardization (AECMA-STAN).

After enquiries and votes carried out in accordance with the rules of this Association, this Standard has received the approval of the National Associations and the Official Services of the member countries of AECMA, prior to its presentation to CEN.

This European Standard shall be given the status of a national standard, either by publication of an identical text or by endorsement, at the latest by June 2006, and conflicting national standards shall be withdrawn at the latest by June 2006.

Attention is drawn to the possibility that some of the elements of this document may be the subject of patent rights. CEN [and/or CENELEC] shall not be held responsible for identifying any or all such patent rights.

According to the CEN/CENELEC Internal Regulations, the national standards organizations of the following countries are bound to implement this European Standard: Austria, Belgium, Cyprus, Czech Republic, Denmark, Estonia, Finland, France, Germany, Greece, Hungary, Iceland, Ireland, Italy, Latvia, Lithuania, Luxembourg, Malta, Netherlands, Norway, Poland, Portugal, Slovakia, Slovenia, Spain, Sweden, Switzerland and the United Kingdom.

iTeh STANDARD PREVIEW
(standards.iteh.ai)

SIST EN 2645:2006

<https://standards.iteh.ai/catalog/standards/sist/2d6bb9d8-c2de-4eaa-943d-a94e2d740608/sist-en-2645-2006>

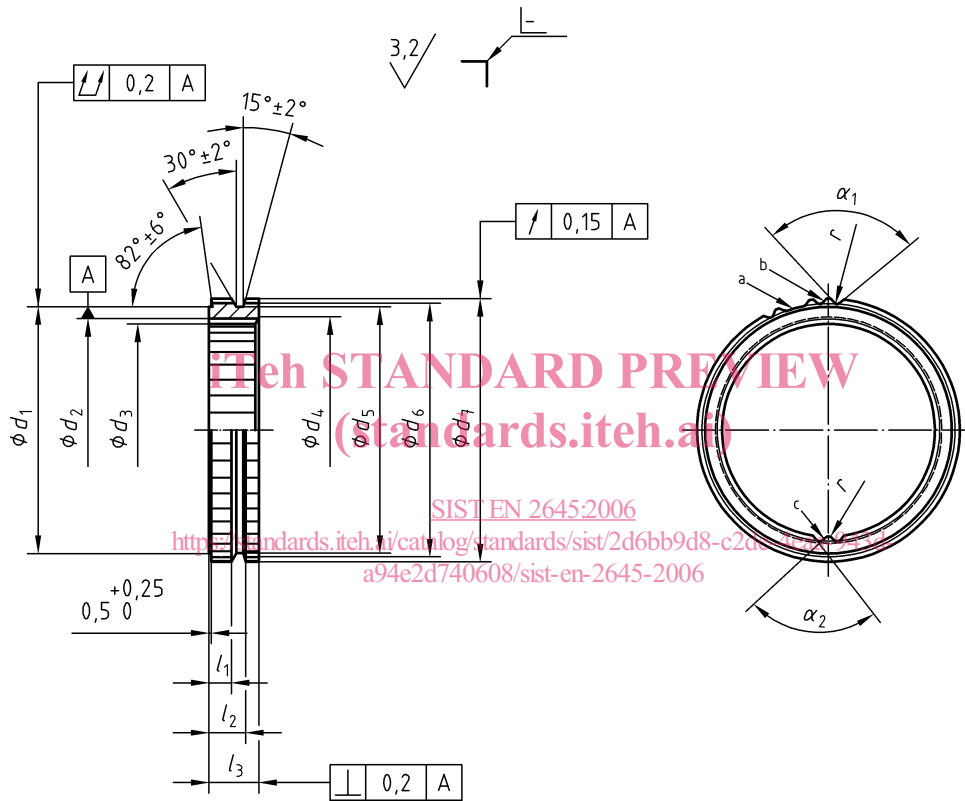
1 Scope

This standard specifies the dimensional characteristics of the lockrings for adaptors, threaded, with lockring, for aerospace applications.

2 Required characteristics

2.1 Configuration — Dimensions

Dimensions in millimetres



- a One tooth removed to identify metric items
- b Number of teeth n_1
- c Number of teeth n_2

Figure 1

Table 1

Dimensions in millimetres

Code ^a	Dimensional code	d_1	d_2	d_3	d_4	d_5	d_6	d_7	l_1	l_2	l_3	n_1	n_2	r	α_1	α_2
		$\pm 0,10$	$\pm 0,09$	$\pm 0,09$	$\pm 0,20$	min.	$\pm 0,09$	$\pm 0,09$	$\pm 0,05$ $-0,15$	$\pm 0,15$ $-0,05$	$\pm 0,20$			max.	$\pm 2^\circ$	$\pm 2^\circ$
05	077	11,10	9,30	8,70	9,70	11,00	11,70	12,90	2,35	3,85	5,30	23	17	0,15	97	79
06	098	13,00	11,50	10,80	11,85	12,90	13,60	14,75	2,75	4,45	6,10	27	21	0,15	95	80
08	125	16,00	13,80	13,00	14,20	15,90	16,60	17,80	3,15	5,15	7,00	31	24	0,15	95	81
10	136	17,85	15,30	14,60	15,65	17,75	18,50	19,50	3,15	5,15	7,00	40	26	0,15	100	97
12	153	19,10	17,00	16,30	17,40	19,00	19,80	21,00	3,15	5,15	7,00	38	31	0,15	94	84
14	170	20,60	18,70	17,90	19,10	20,50	21,40	22,60	3,15	5,15	7,00	40	34	0,15	94	84
16	192	24,30	20,80	20,20	21,25	24,20	25,20	26,40	3,15	5,15	7,00	38	30	0,20	111	99
18	214	25,70	23,80	22,70	24,15	25,60	26,60	28,00	3,15	5,15	7,00	43	36	0,20	94	84
20	231	28,05	24,80	24,20	25,20	27,95	28,90	30,20	3,15	5,15	7,00	46	38	0,20	93	93
22	253	31,45	27,30	26,30	27,70	31,35	32,20	33,70	3,15	5,15	7,00	36	36	0,20	111	100
25	295	34,70	31,30	29,90	31,80	34,60	35,60	37,00	3,15	5,15	7,00	47	38	0,20	93	85
28	320	38,45	33,50	32,60	33,90	38,35	39,40	40,70	3,15	5,15	7,00	32	42	0,20	111	102
32	350	40,70	37,50	36,05	37,85	40,60	41,60	43,00	3,15	5,15	7,00	53	46	0,20	93	86

^a Corresponds to the pipe nominal outside diameter.

2.2 Surface roughness

According to Figure 1, unless otherwise specified in the design documentation.

(standards.iteh.ai)

3 Designation

EXAMPLE

<https://standards.iteh.ai/catalog/standards/sist/2d6bb9d8-c2de-4eaa-943d-a94e2d740608/sist-en-2645-2006>

Description block

LOCKRING

Identity block

EN 2645 — 10

Number of this standard

Code (see Table 1)